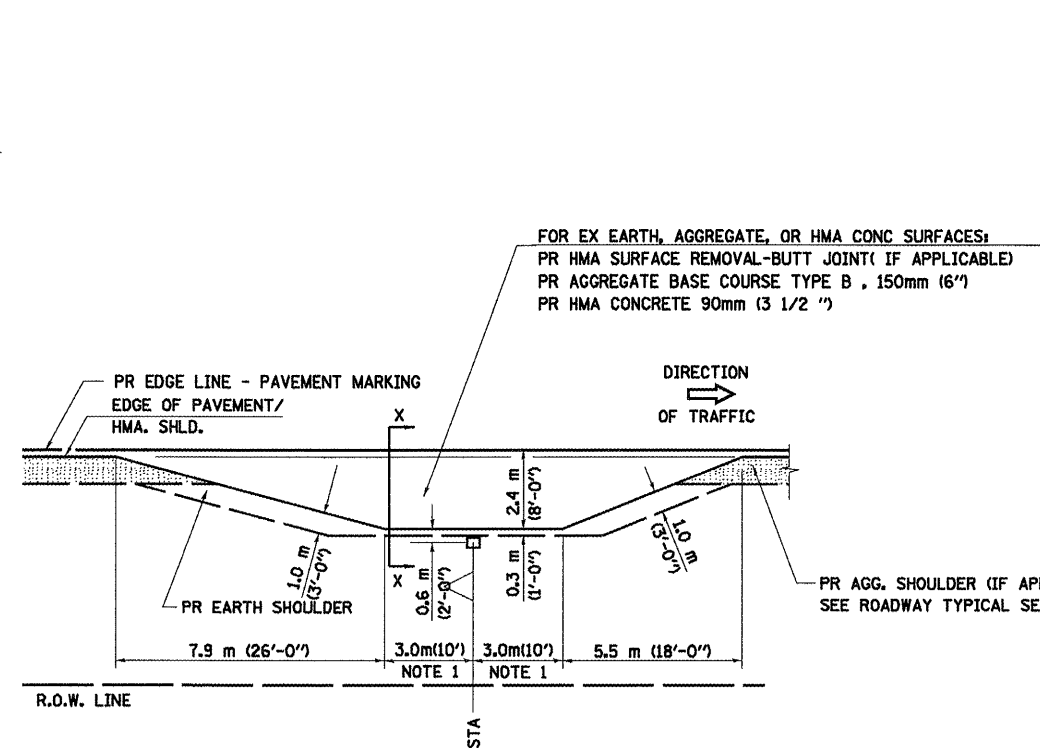
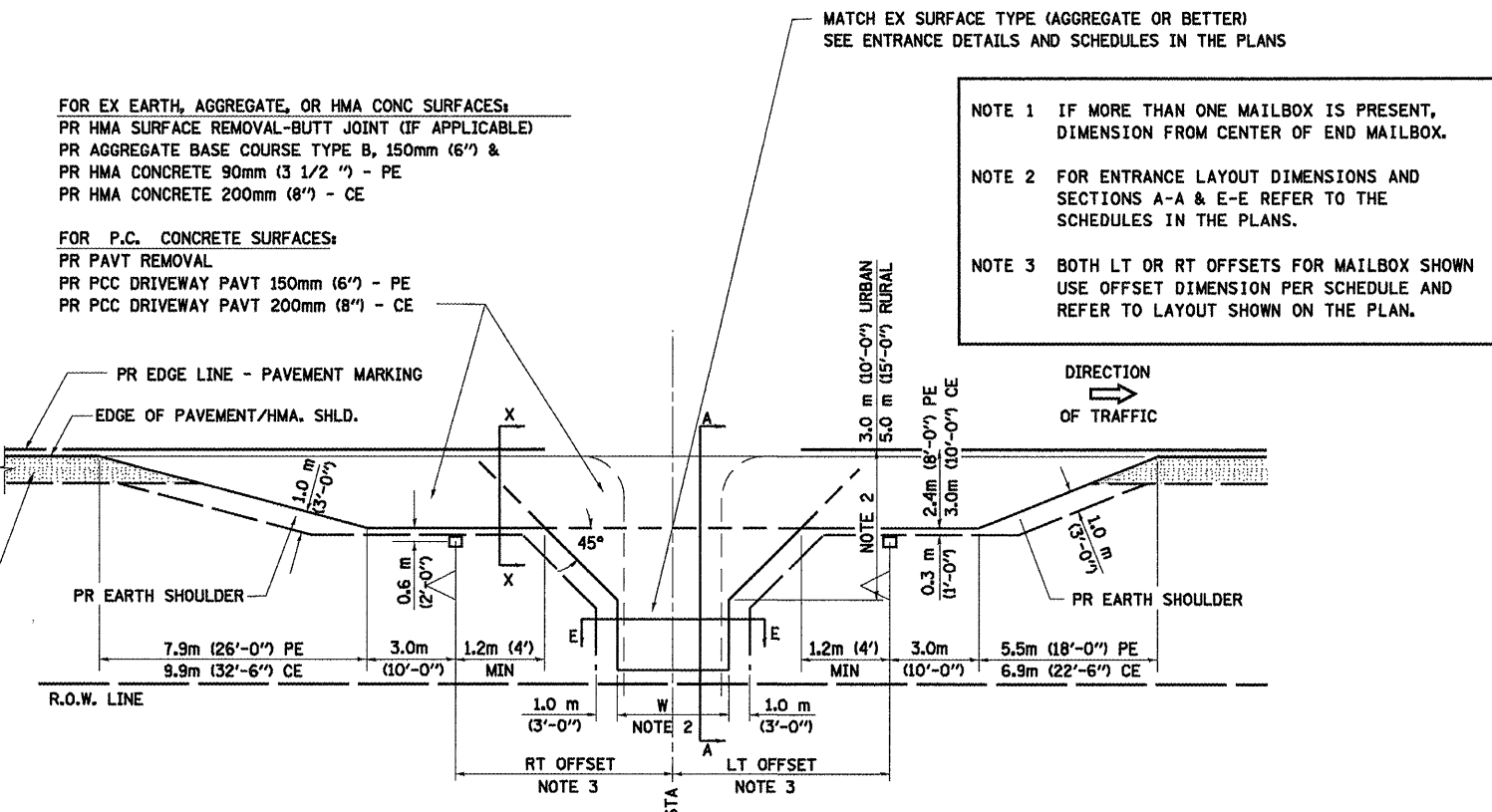


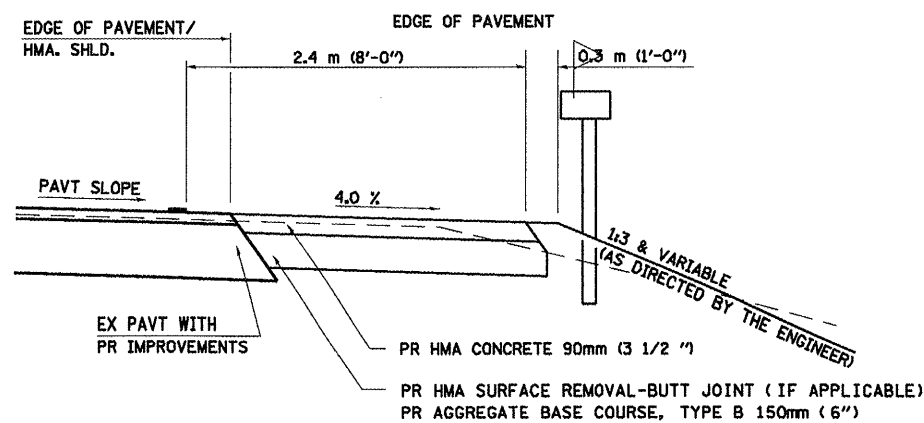
DETAILS OF MAILBOX TURNOUTS



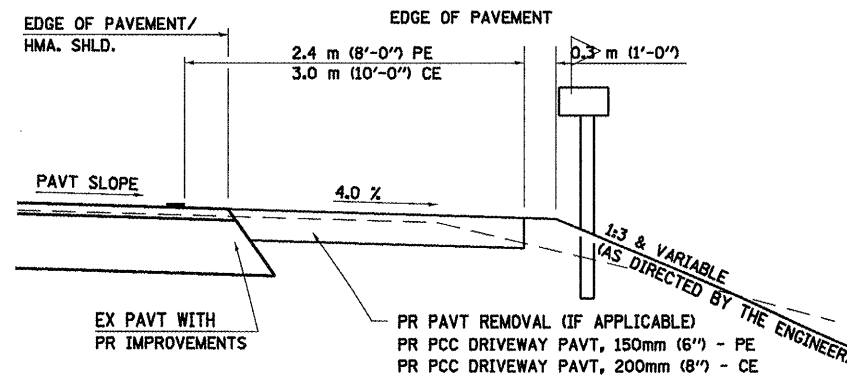
PLAN - MAILBOX TURNOUTS



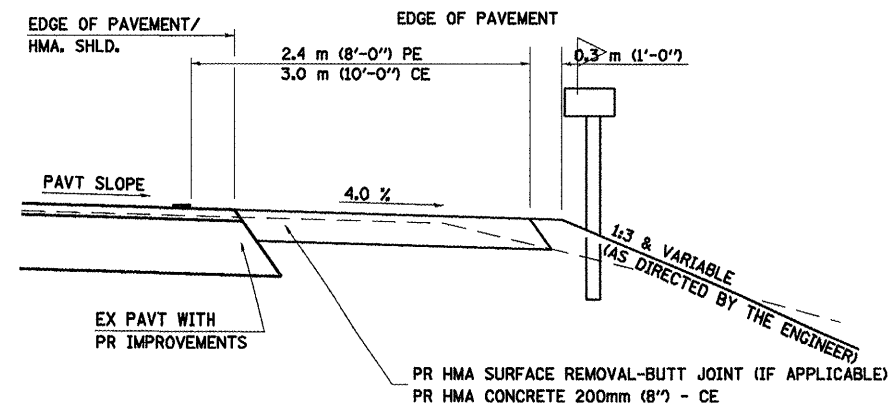
PLAN - COMBINED MAILBOX TURNOUT WITH TRAILING OR LEADING ENTRANCE



**SECTION X-X THRU MAILBOX TURNOUT
 ALSO APPLIES TO MAILBOX TURNOUTS COMBINED WITH
 EX EARTH, AGGREGATE, OR HMA PE & FE**



**SECTION X-X THRU MAILBOX TURNOUT
 COMBINED WITH EX CONC PE OR CE**



**SECTION X-X THRU MAILBOX TURNOUT
 COMBINED WITH EX EARTH, AGGREGATE, OR HMA CE**

FILE NAME =
 S:\PROJ ENGR 1 (Nengard)\Dust Squad\FA

USER NAME = madonievj
 662 ILL 4 Henderson.pdf\CAOD Sheets\067

DESIGNED -
 DRAWN:ENT.dgn

REVISED - 2/19/03
 REVISED - 4/01/04
 CHECKED -
 DATE -

REVISED - 8/01/07
 REVISED -

Allen Henderson & Associates, Inc.
 Civil and Structural Engineers Springfield, IL.
 62703 Phone: (217)544-8033 IL Design Firm
 No. 184-001907

**DISTRICT SIX DETAILS FOR RURAL/URBAN ENTRANCE
 & MAILBOX TURNOUT W/O CONCRETE GUTTER (3R-PROJECTS)**

SCALE: NONE SHEET NO. 2 OF 6 SHEETS STA. TO STA.

F.A.P. RTE.	SECTION	COUNTY	TOTAL SHEETS	SHEET NO.
662	DIW-3,RS-11,CR	MACOUPIN	102	59
CONTRACT NO. 72765				
FED. ROAD DIST. NO. ILLINOIS FED. AID PROJECT				

D-86-506-07