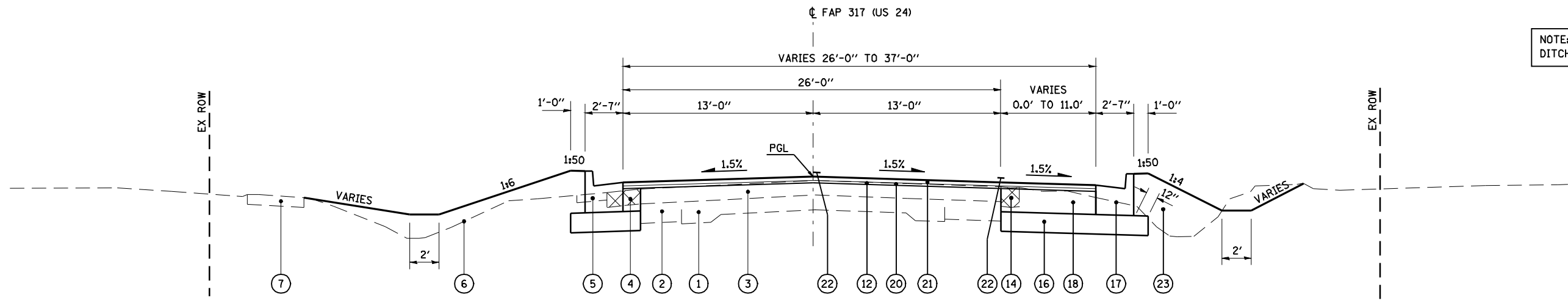
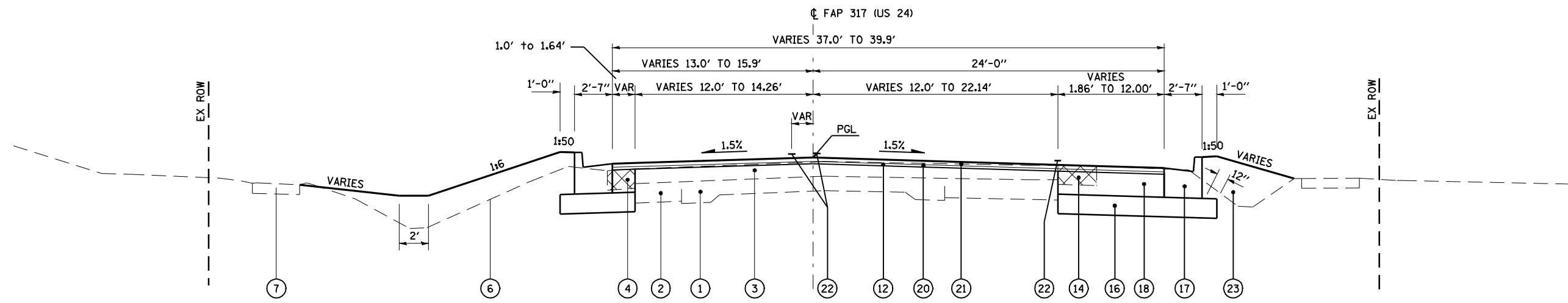


NOTE: ALL SWALES ARE SPECIAL DITCHES. SEE PROFILE SHEETS.



US 24 TYPICAL SECTION #5  
STA 13+78.41 TO 20+84.03



US 24 TYPICAL SECTION #6  
STA 20+84.03 TO 22+25.18

LEGEND

- |                                   |  |  |
|-----------------------------------|--|--|
| ① EX CONCRETE PAVEMENT            | ⑪ PR PAVEMENT REMOVAL                                  | ⑳ PR HOT-MIX ASPHALT SURFACE COURSE, MIX "D", N70 (1 1/2") |
| ② EX HOT-MIX ASPHALT WIDENING 8"  | ⑫ PR HOT-MIX ASPHALT SURFACE REMOVAL, VARIABLE DEPTH   | ㉑ PR PAVEMENT MARKING                                      |
| ③ EX HOT-MIX ASPHALT OVERLAY 6"   | ⑬ PR COMBINATION CURB AND GUTTER REMOVAL               | ㉒ PR FURNISHED EXCAVATION                                  |
| ④ EX HOT-MIX ASPHALT SHOULDERS 8" | ⑭ PR PAVED SHOULDER REMOVAL                            | ㉓ PR HOT-MIX ASPHALT SURFACE COURSE, MIX "C", N30 (2")     |
| ⑤ EX AGGREGATE SHOULDERS          | ⑮ PR HOT-MIX ASPHALT SHOULDERS (8")                    | ㉔ PR HOT-MIX ASPHALT SURFACE REMOVAL, 2"                   |
| ⑥ EXISTING GROUND                 | ⑯ PR SUB-BASE GRANULAR MATERIAL, TYPE B 8"             | ㉕ PR AGGREGATE SHOULDERS, TYPE B (WEDGE)                   |
| ⑦ EXISTING SIDEWALK               | ⑰ PR COMBINATION CONCRETE CURB AND GUTTER, TYPE B-6.24 | ㉖ PR HOT-MIX ASPHALT SURFACE COURSE, MIX "D", N70 (2")     |
| ⑧ EXISTING CURB AND GUTTER        | ⑱ HOT-MIX ASPHALT BASE COURSE WIDENING, 11"            | ㉗ PR CCC&G, TYPE M-6.24 (VARIABLE WIDTH GUTTER FLAG)       |
| ⑨ EXISTING CONCRETE GUTTER        | ㉀ PR SUB-BASE GRANULAR MATERIAL, TYPE C (VAR DEPTH)    | ㉘ PR COMBINATION CONCRETE CURB AND GUTTER, TYPE M-6.06     |
| ⑩ EX PCC BASE COURSE WIDENING 8"  | ㉁ PR LEVELING BINDER (MACHINE METHOD), N70 (1")        | ㉙ PR HOT-MIX ASPHALT BASE COURSE, 6"                       |
|                                   |  | ㉚ PR SUB-BASE GRANULAR MATERIAL, TYPE A 4"                 |

