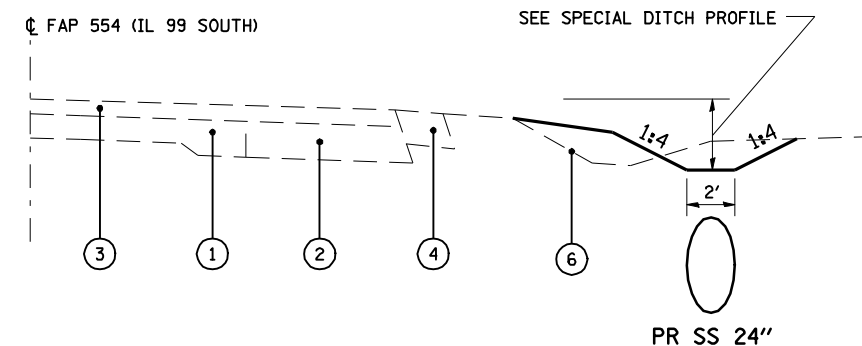
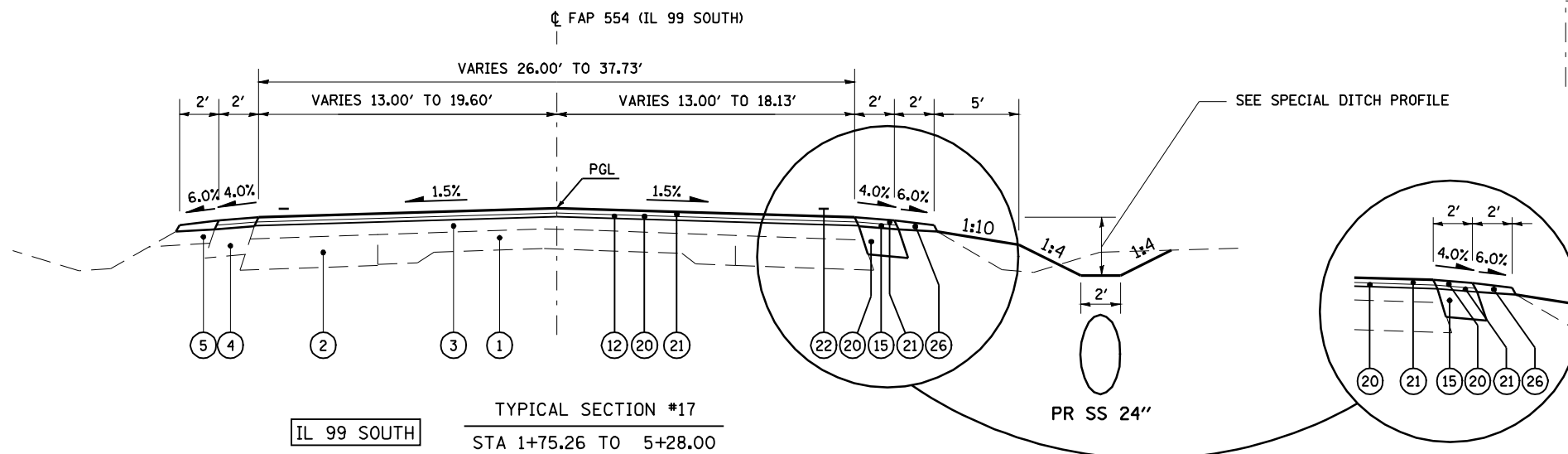


IL 99 SOUTH TYPICAL SECTION #16
STA 0+50.00 TO 1+75.26



IL 99 SOUTH TYPICAL SECTION #18
STA 5+28.00 TO 10+50.00



IL 99 SOUTH TYPICAL SECTION #17
STA 1+75.26 TO 5+28.00

RT STA 2+16.99 TO 2+35.03
RT STA 2+83.40 TO 3+61.83
RT STA 4+28.60 TO 4+65.62

LEGEND

- | | | |
|-----------------------------------|--|--|
| ① EX CONCRETE PAVEMENT | ⑪ PR PAVEMENT REMOVAL | ⑳ PR HOT-MIX ASPHALT SURFACE COURSE, MIX "D", N70 (1 1/2") |
| ② EX HOT-MIX ASPHALT WIDENING 8" | ⑫ PR HOT-MIX ASPHALT SURFACE REMOVAL, VARIABLE DEPTH | ㉑ PR PAVEMENT MARKING |
| ③ EX HOT-MIX ASPHALT OVERLAY 6" | ⑬ PR COMBINATION CURB AND GUTTER REMOVAL | ㉒ PR FURNISHED EXCAVATION |
| ④ EX HOT-MIX ASPHALT SHOULDERS 8" | ⑭ PR PAVED SHOULDER REMOVAL | ㉓ PR HOT-MIX ASPHALT SURFACE COURSE, MIX "C", N30 (2") |
| ⑤ EX AGGREGATE SHOULDERS | ⑮ PR HOT-MIX ASPHALT SHOULDERS (8") | ㉔ PR HOT-MIX ASPHALT SURFACE REMOVAL, 2" |
| ⑥ EXISTING GROUND | ⑯ PR SUB-BASE GRANULAR MATERIAL, TYPE B 4" | ㉕ PR AGGREGATE SHOULDERS, TYPE B (WEDGE) |
| ⑦ EXISTING SIDEWALK | ⑰ PR COMBINATION CONCRETE CURB AND GUTTER, TYPE B-6.24 | ㉖ PR HOT-MIX ASPHALT SURFACE COURSE, MIX "D", N70 (2") |
| ⑧ EXISTING CURB AND GUTTER | ⑱ HOT-MIX ASPHALT BASE COURSE WIDENING, 11" | ㉗ PR CCC&G, TYPE M-6.24 (VARIABLE WIDTH GUTTER FLAG) |
| ⑨ EXISTING CONCRETE GUTTER | ㉒ PR SUB-BASE GRANULAR MATERIAL, TYPE C (VAR DEPTH) | ㉘ PR COMBINATION CONCRETE CURB AND GUTTER, TYPE M-6.06 |
| ⑩ EX PCC BASE COURSE WIDENING 8" | ㉓ PR LEVELING BINDER (MACHINE METHOD), N70 (1") | ㉙ PR HOT-MIX ASPHALT BASE COURSE, 6" |
| | | ㉚ PR SUB-BASE GRANULAR MATERIAL, TYPE A 4" |

