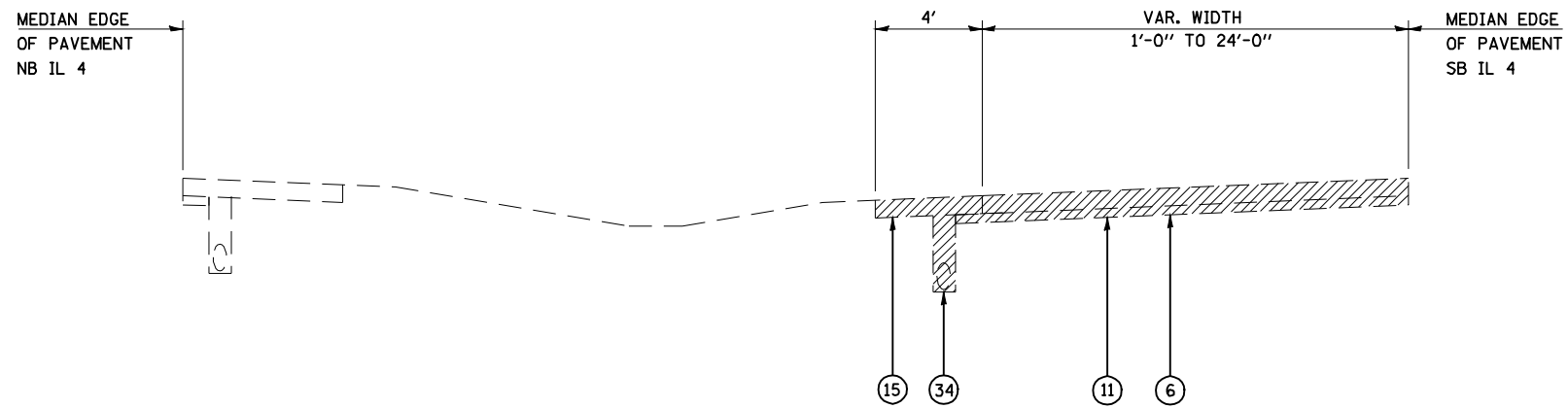
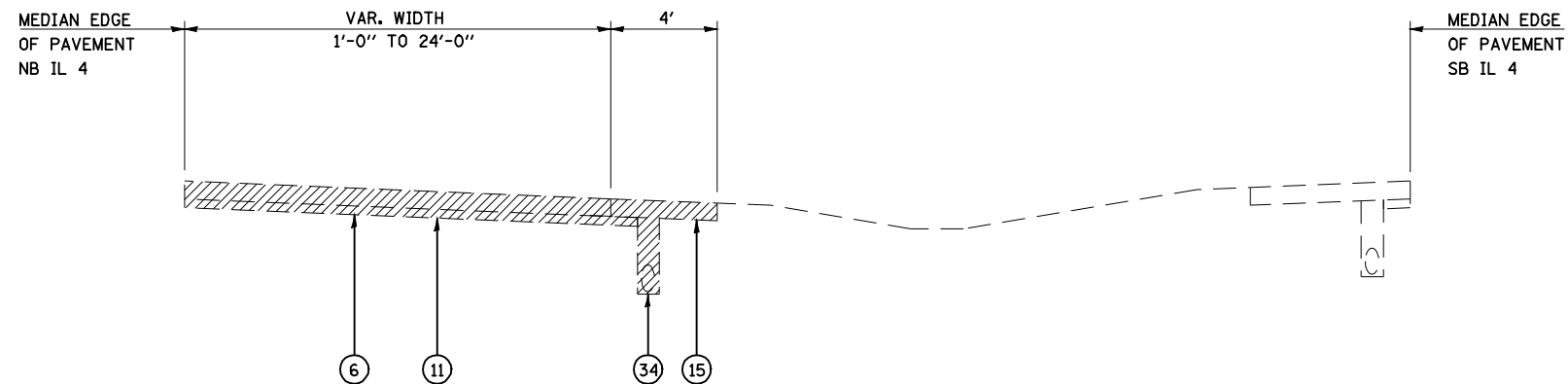


**EXISTING TYPICAL CROSS SECTION**  
**LEFT TURN LANE**  
 STA 330+85 TO STA 332+77  
 STA 333+49 TO STA 335+65



**EXISTING TYPICAL CROSS SECTION**  
**LEFT TURN LANE**  
 STA 326+09 TO STA 330+85



**EXISTING TYPICAL CROSS SECTION**  
**LEFT TURN LANE**  
 STA 335+65 TO STA 340+19

INDICATES REMOVAL