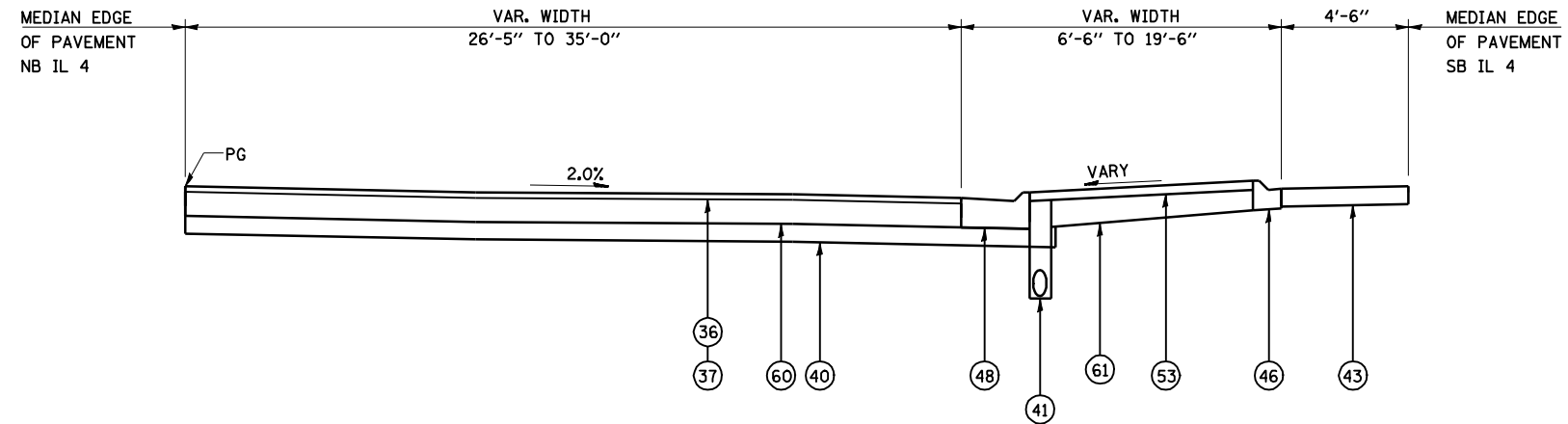
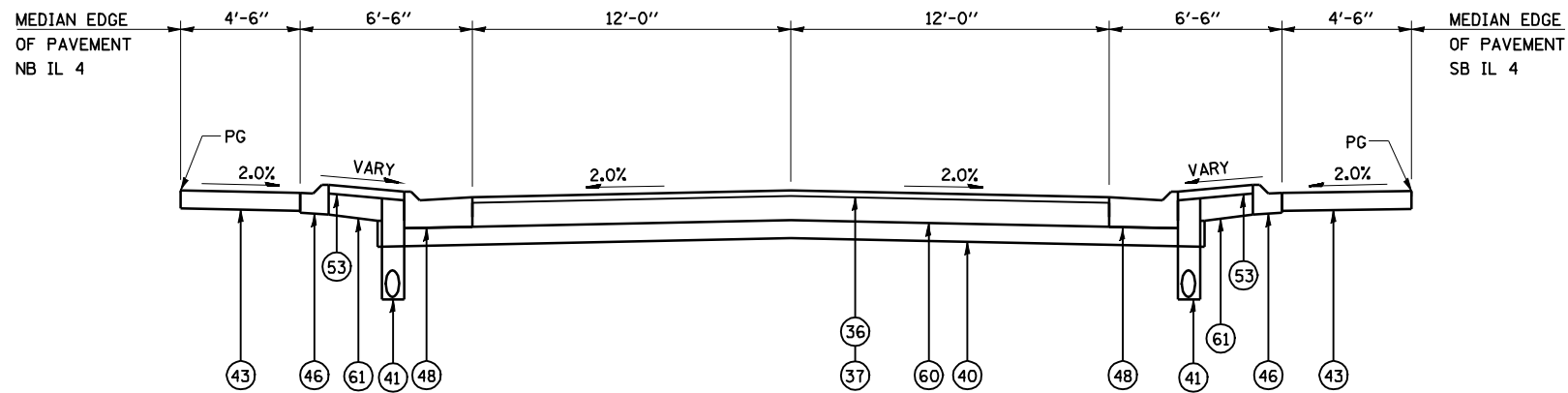


**TYPICAL CROSS SECTION  
LEFT TURN LANE**  
STA 339+16.11 TO STA 342+99.77



**TYPICAL CROSS SECTION  
LEFT TURN LANE**  
STA 331+84.68 TO STA 332+72.46  
STA 337+89.77 TO STA 339+16.11



**TYPICAL CROSS SECTION  
LEFT TURN LANE**  
STA 327+34.82 TO STA 331+84.68  
STA 334+39.58 TO STA 337+89.77