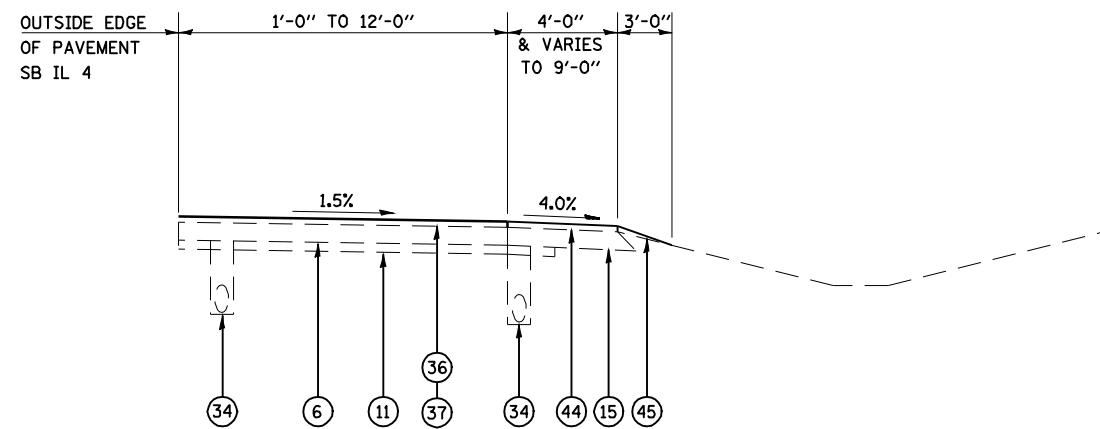
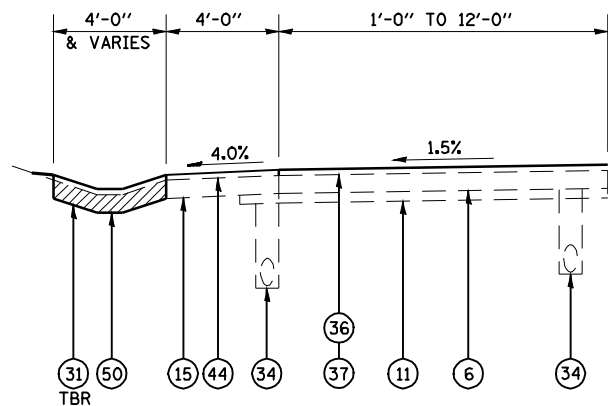


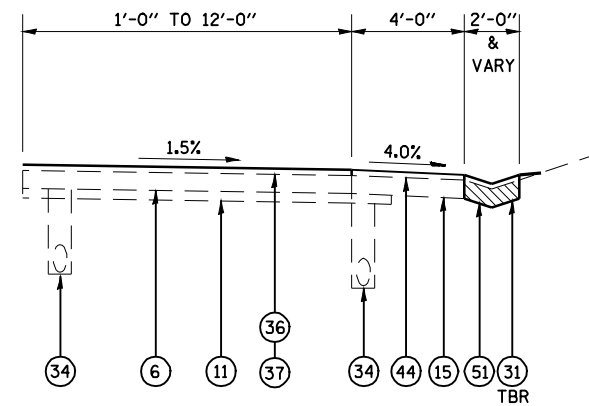
**TYPICAL CROSS SECTION
RIGHT TURN LANE**
STA 304+86.50 TO STA 310+21.14



**TYPICAL CROSS SECTION
RIGHT TURN LANE**
STA 276+50.32 TO STA 285+85.49
STA 329+94.39 TO STA 331+94.25



**TYPICAL CROSS SECTION
RIGHT TURN LANE**
STA 282+95.85 TO STA 286+82.20
STA 334+14.54 TO STA 337+31.98



**TYPICAL CROSS SECTION
RIGHT TURN LANE**
STA 297+98.58 TO STA 303.33.22

CONSTRUCT CONCRETE GUTTER (SPECIAL)
AND CONCRETE GUTTER, TYPE B (SPECIAL)
TO MATCH PROPOSED SHOULDER RESURFACING.

 INDICATES REMOVAL