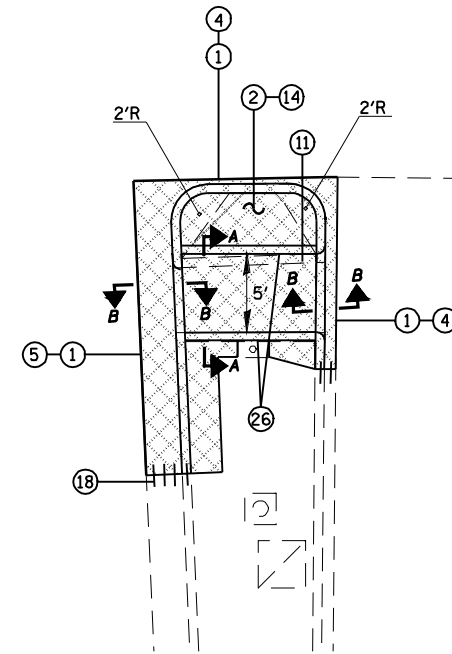
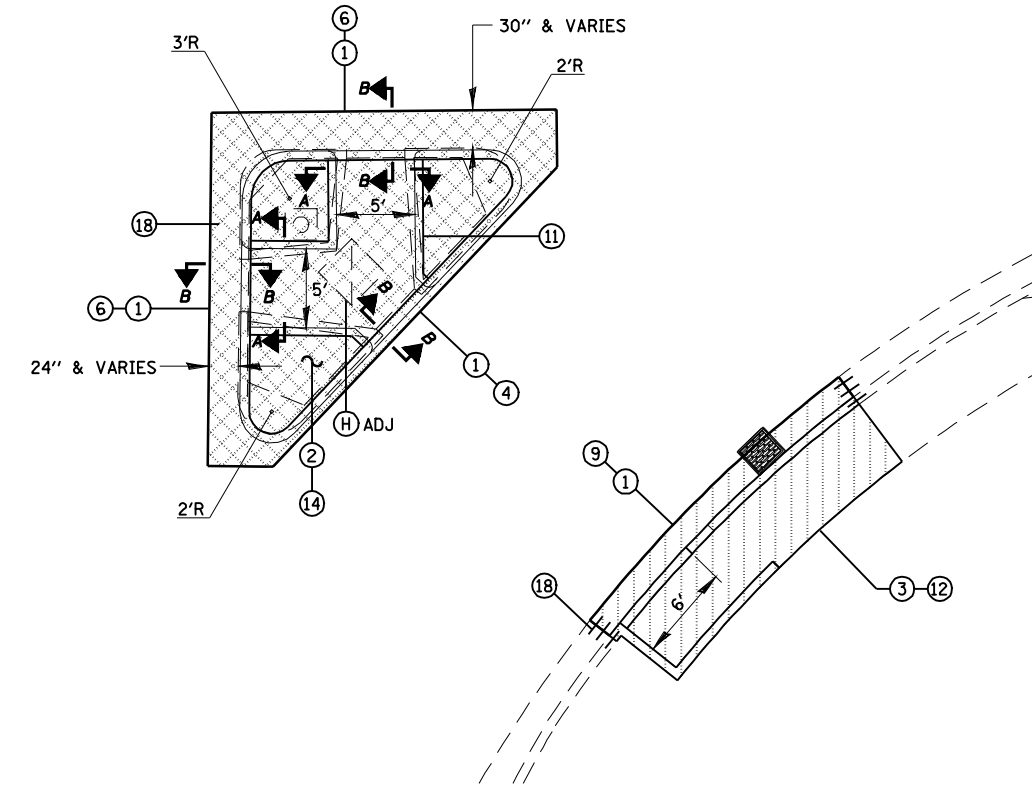


SB IL 4



NB IL 4



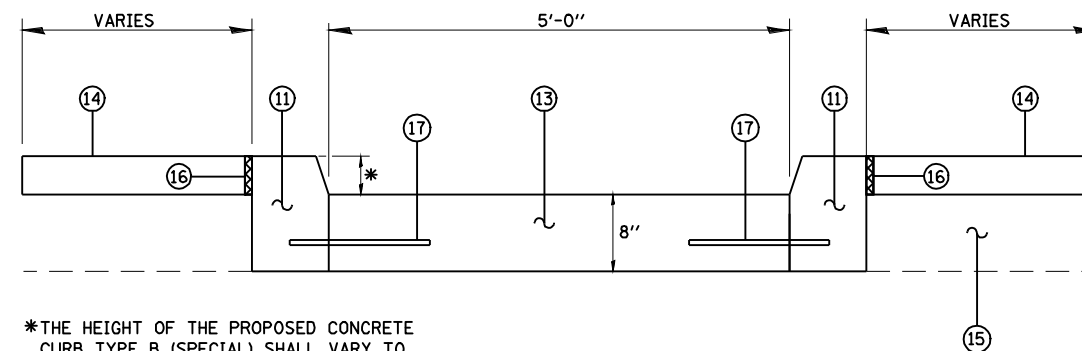
WASHINGTON ST SIDEWALK PLAN (SOUTH)

LEGEND

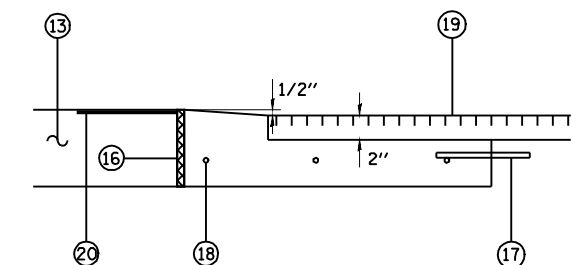
- ① EXIST. COMBINATION CURB AND GUTTER TBR
- ② EXIST. 4" CONCRETE MEDIAN SURFACE TBR
- ③ SIDEWALK REMOVAL
- ④ PROP. COMBINATION CURB AND GUTTER TYPE M-6.06
- ⑤ PROP. COMBINATION CURB AND GUTTER TYPE M-6.24
- ⑥ PROP. COMBINATION CURB AND GUTTER TYPE M-6.24 (VWGF)
- ⑦ PROP. COMBINATION CURB AND GUTTER TYPE B-6.06
- ⑧ PROP. COMBINATION CURB AND GUTTER TYPE B-6.12
- ⑨ PROP. COMBINATION CURB AND GUTTER TYPE B-6.18
- ⑩ PROP. COMBINATION CURB AND GUTTER TYPE B-6.24
- ⑪ PROP. CONCRETE CURB TYPE B6
- ⑫ PROP. P.C.C. SIDEWALK 4"
- ⑬ PROP. P.C.C. SIDEWALK 8"
- ⑭ PROP. CONCRETE MEDIAN SURFACE 4"
- ⑮ PROP. SUB BASE GRANULAR MATERIAL MATERIAL TYPE B
- ⑯ PROP. 3/4" PREFORMED EXPANSION JOINT FILLER (TYP.)
- ⑰ PROP. TIE BAR
- ⑱ PROP. DOWEL BAR
- ⑲ PROP. HMA RESURFACING
- ⑳ PROP. DETECTABLE WARNINGS
- ㉑ EXIST. CONCRETE GUTTER TBR
- ㉒ EXIST. PAVED DITCH TBR
- ㉓ PROP. CONCRETE GUTTER TYPE B (SPECIAL)
- ㉔ PROP. CLASS SI CONCRETE OUTLET
- ㉕ PROP. PAVED DITCH TYPE A-15 (SPECIAL)
- ㉖ CONCRETE CURB TYPE B (SPECIAL)
- (H) EXISTING HANDHOLE BOX (TO REMAIN OR TO BE ADJUSTED)

NOTE:

1. FOR ADDITIONAL INFORMATION ABOUT CURB AND GUTTER, MEDIAN AND SIDEWALK SEE STD. 424001, 606001, & 606301



SECTION A-A



SECTION B-B