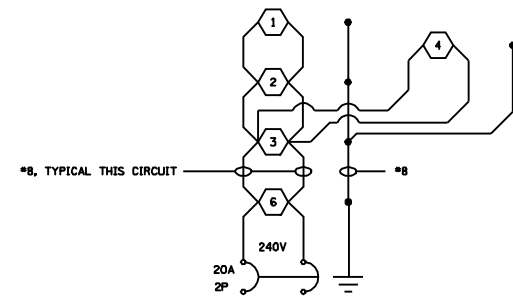


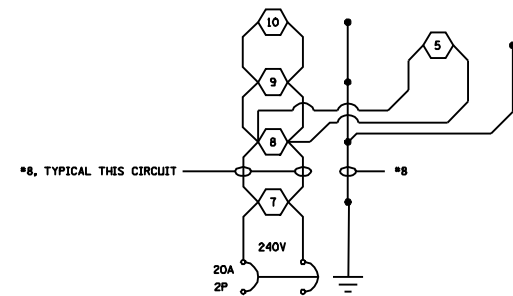
NOTES:

1. ALL NECESSARY REVISIONS TO THE WIRING SHOWN ON THIS SHEET SHALL BE MADE AT NO ADDITIONAL COST TO THE DEPARTMENT AND TO THE SATISFACTION OF THE ENGINEER.

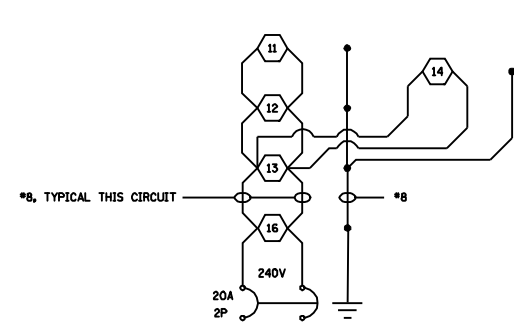
⬡ 400W ROADWAY LUMINAIRE



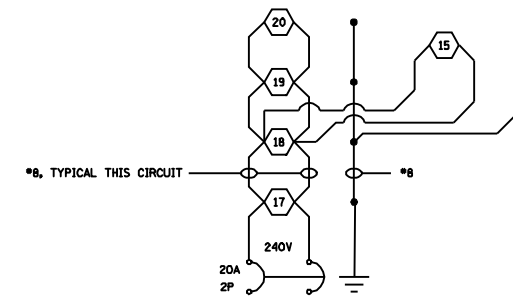
LIGHTING CKT 1  
PROPOSED LIGHTING CONTROLLER NO. 1



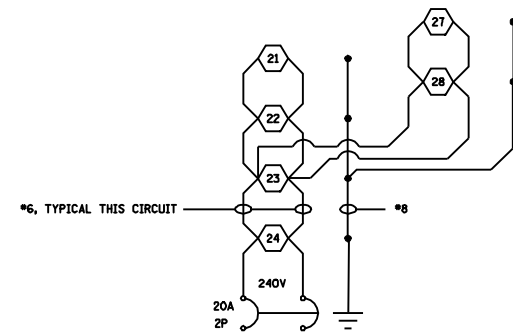
LIGHTING CKT 2  
PROPOSED LIGHTING CONTROLLER NO. 1



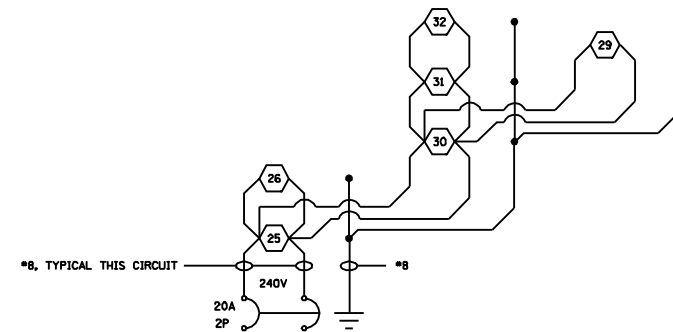
LIGHTING CKT 1  
PROPOSED LIGHTING CONTROLLER NO. 2



LIGHTING CKT 2  
PROPOSED LIGHTING CONTROLLER NO. 2



LIGHTING CKT 1  
PROPOSED LIGHTING CONTROLLER NO. 3



LIGHTING CKT 2  
PROPOSED LIGHTING CONTROLLER NO. 3