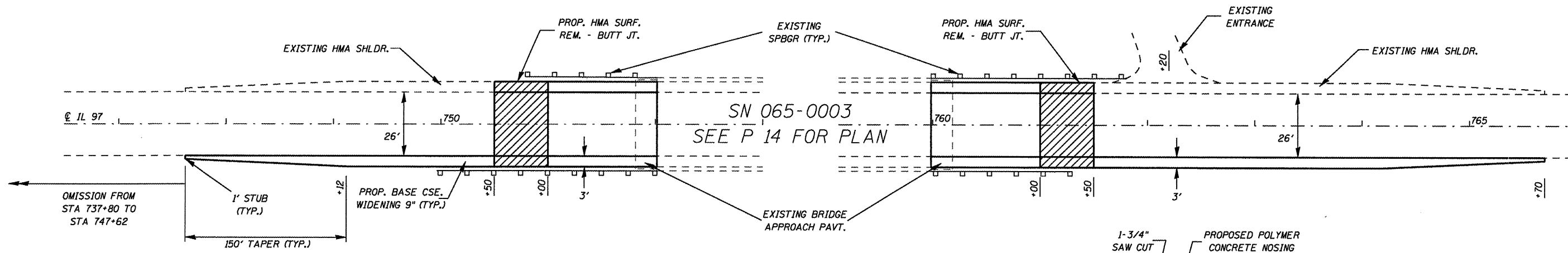
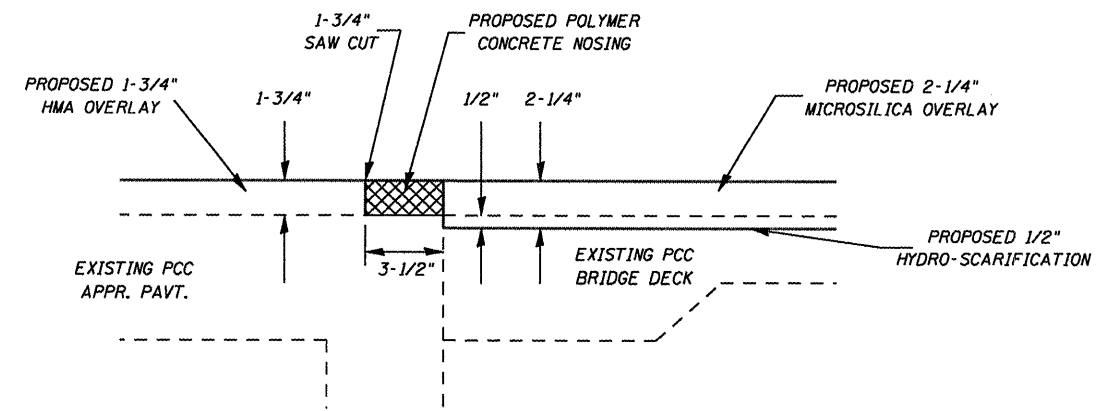


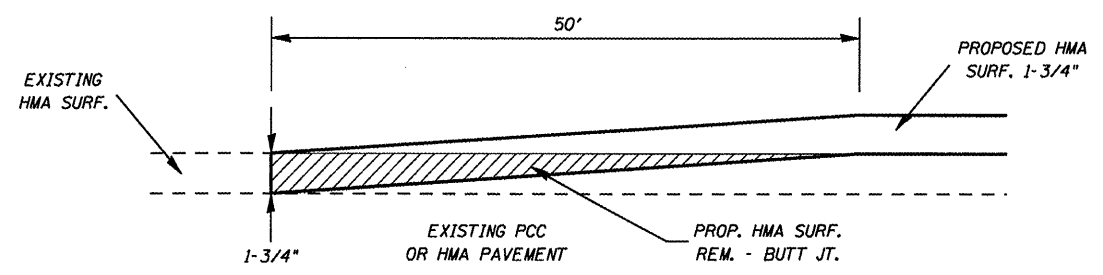
PARTIAL PLAN



PARTIAL PLAN



SN 065-0003 TYPICAL ABUTMENT ELEVATION



BUTT JOINT ELEVATION

NOTE: THE HMA SURFACE SHALL BE LAID UP TO THE PROPOSED MICROSILICA OVERLAY. THE PROPOSED POLYMER CONCRETE NOSING SHALL BE INSTALLED AFTERWARDS. THE COST OF SAWING AND REMOVING THE HMA SURFACE IN THIS AREA SHALL BE INCLUDED IN THE CONTRACTOR'S BID PRICE FOR POLYMER CONCRETE.

ROADWAY PLAN
FAP 34 (IL 97)
SECTION (2) BRIDGE REHAB
MENARD COUNTY