

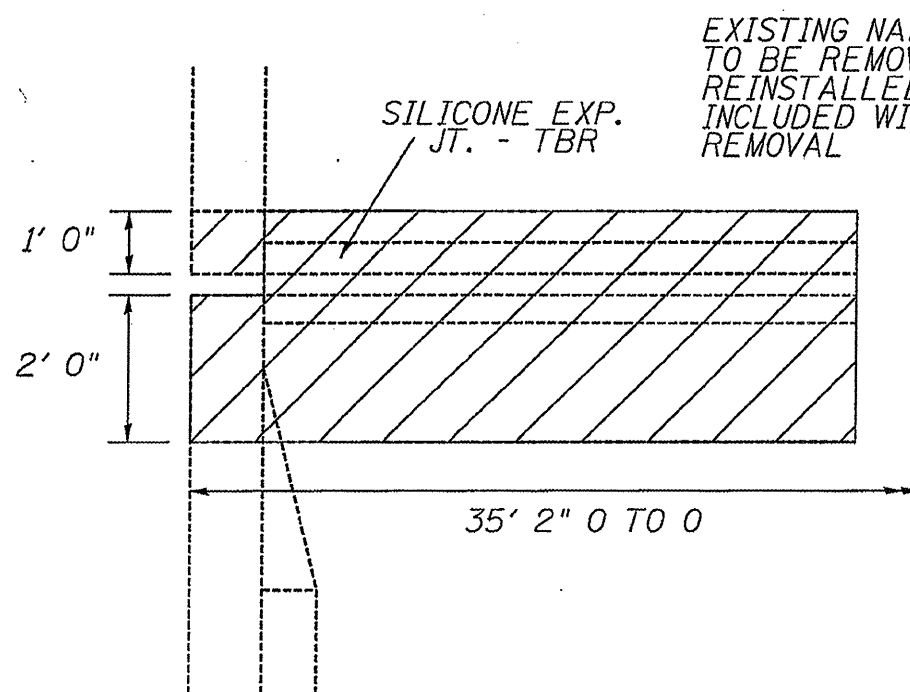
REMOVAL AREAS

SN 065-0002 N & S ABUT. JTS.

CONCRETE REMOVAL	8.8 CU YD
------------------	-----------

JOINT CROSS SECTION

NOTE: THE COST OF JOINT REMOVAL AND DISPOSAL SHALL BE INCLUDED IN THE CONTRACTOR'S BID PRICE FOR CONCRETE REMOVAL.



PARTIAL PLAN VIEW

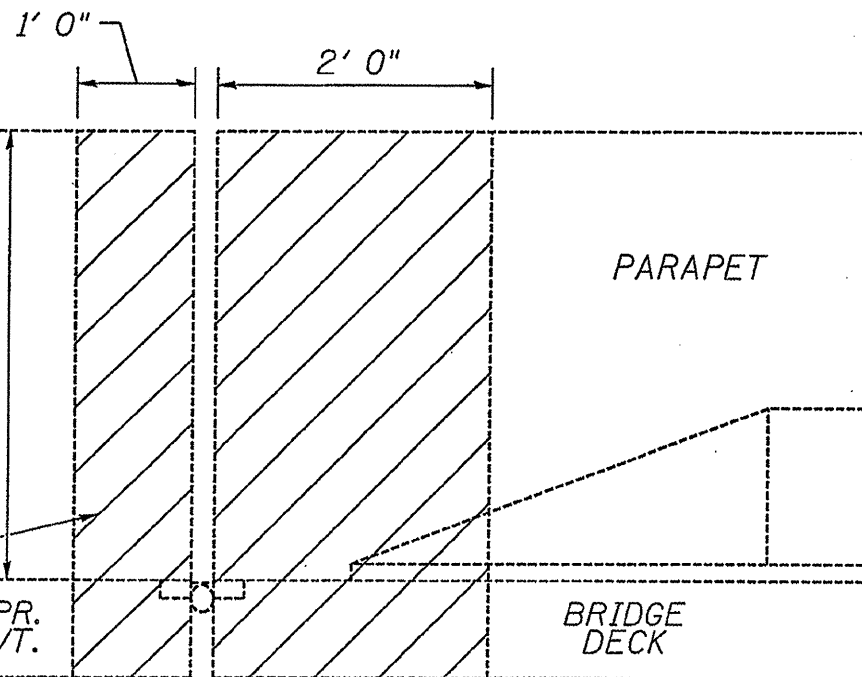
EXISTING NAME PLATE TO BE REMOVED AND REINSTALLED. COST INCLUDED WITH CONCRETE REMOVAL

APPR. PARAPET

2' 10"

APPR. PAVT.

CUT EXISTING VERTICAL BARS AS NEEDED TO INSTALL JOINT



ELEVATION VIEW, INSIDE PARAPET FACE

PARAPET

BRIDGE DECK

NOT TO SCALE

CONCRETE REMOVAL DETAILS  
SN 065-0002 N & S ABUT. JTS.  
FAP 34 (IL 97)  
SECTION (2) BRIDGE REHAB  
MENARD COUNTY