

5-#5 a(E) OR a1(E) @ 5" CTS TOP
3-#5 a(E) OR a1(E) @ 8" CTS BOT.

2-1/4" MS
OVERLAY

32-#5 b(E) BARS
LAPPED WITH EXISTING
LONGITUDINAL BARS

PROP. STRIP SEAL JT.
(SEE DETAIL ON SHEET 29)

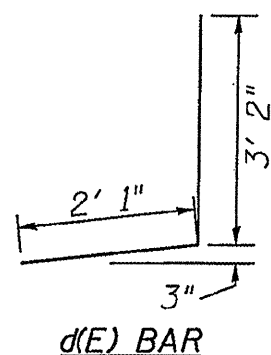
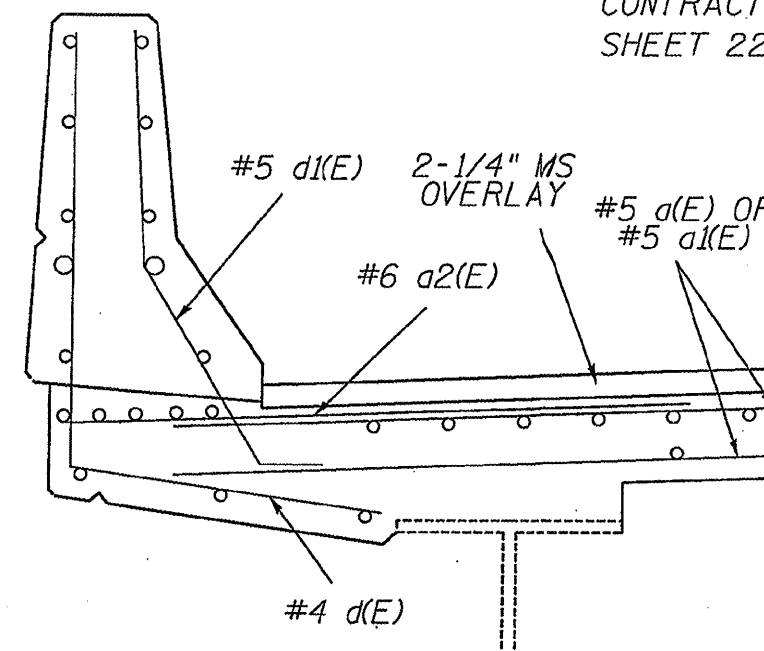
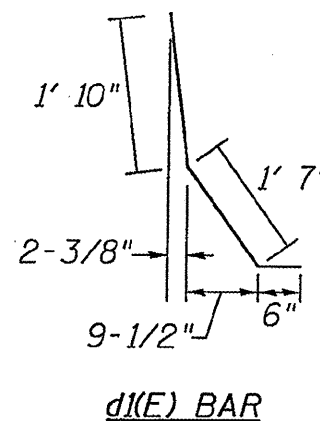
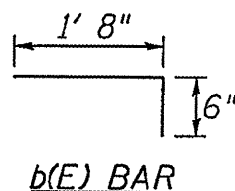
5-#5 a(E) OR a1(E) @ 5" CTS TOP
3-#5 a(E) OR a1(E) @ 8" CTS BOT.

2-1/4" MS
OVERLAY

32-#5 b(E) BARS
LAPPED WITH EXISTING
LONGITUDINAL BARS

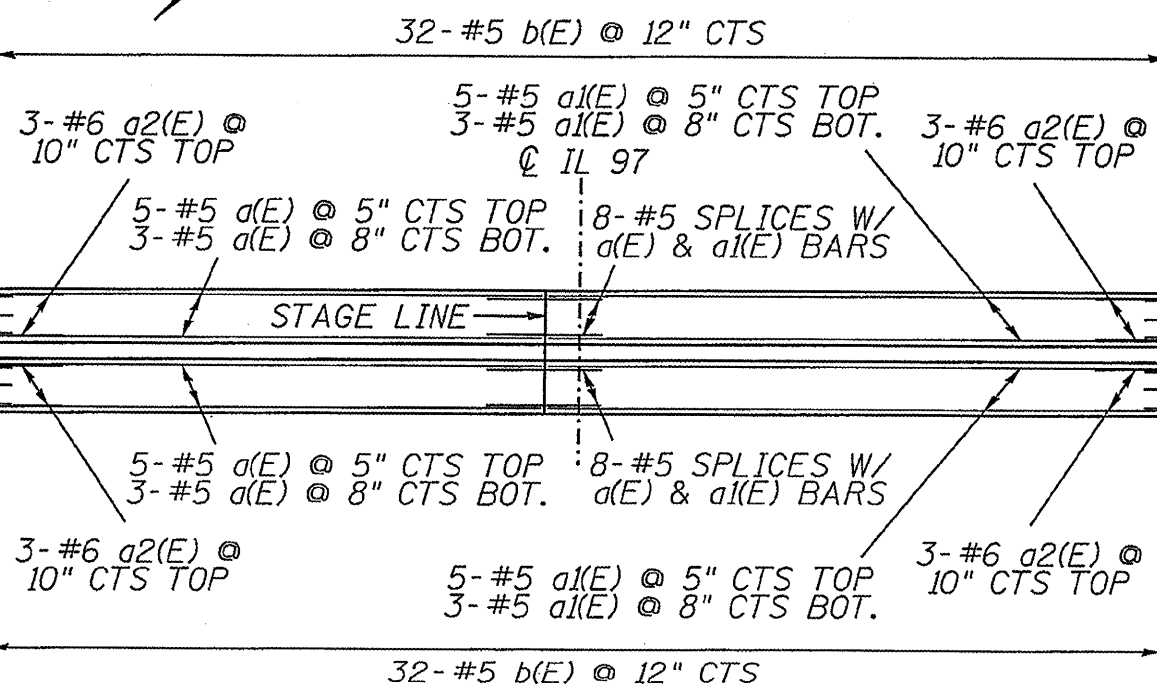
SN 065-0002:
2" AT BENT 4
2 5/8" AT PIER 7
SN 065-0003:
2 5/8" AT PIER 6

JOINT CROSS SECTION



3-#5 d1(E) FRONT
PARAPET FACE
3-#4 d(E) BACK
PARAPET FACE

STAGE I
CONST.



JOINT PLAN

SN 065-0002 - BENT 4 & PIER 7 SN 065-0003 - PIER 6 TOTAL BILL OF MATERIAL					
BAR	#	SIZE	LENGTH	SHAPE	
d(E)	48	5	16' 4"	—	
a1(E)	48	5	18' 4"	—	
a2(E)	36	6	6' 0"	—	
b(E)	192	5	2' 2"	┌	
d(E)	36	4	5' 3"	└	
d1(E)	36	5	3' 11"	└	
REINFORCEMENT BARS -		EPOXY COATED			2570 LB
BAR SPLICERS					48 EACH
CONCRETE SUPERSTRUCTURE					16.8 CU YD

NOT TO SCALE

JOINT REPLACEMENT DETAILS
065-0002 B4, 065-0003 P3, P6, & P9
FAP 34 (IL 97)
SECTION (2) BRIDGE REHAB
MENARD COUNTY