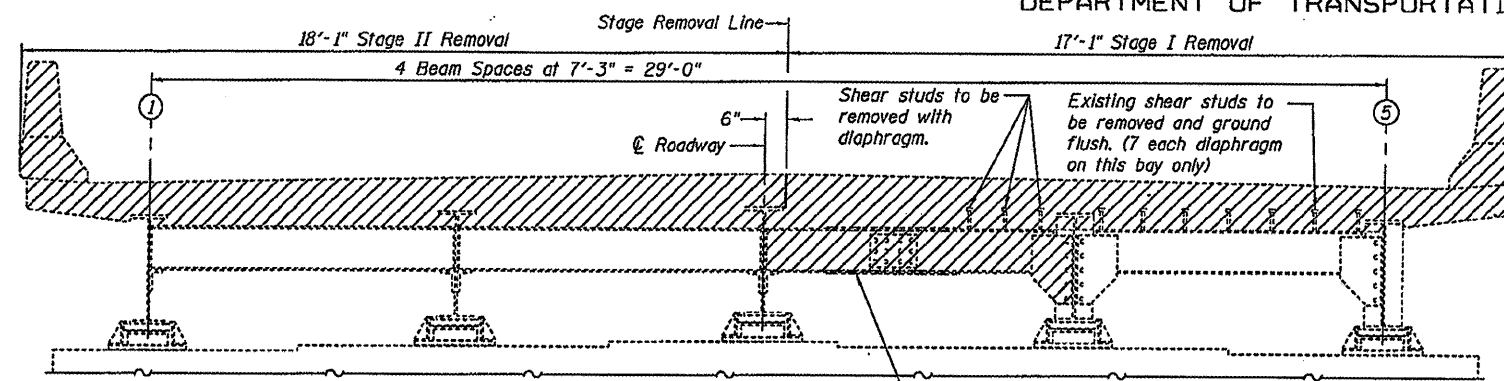
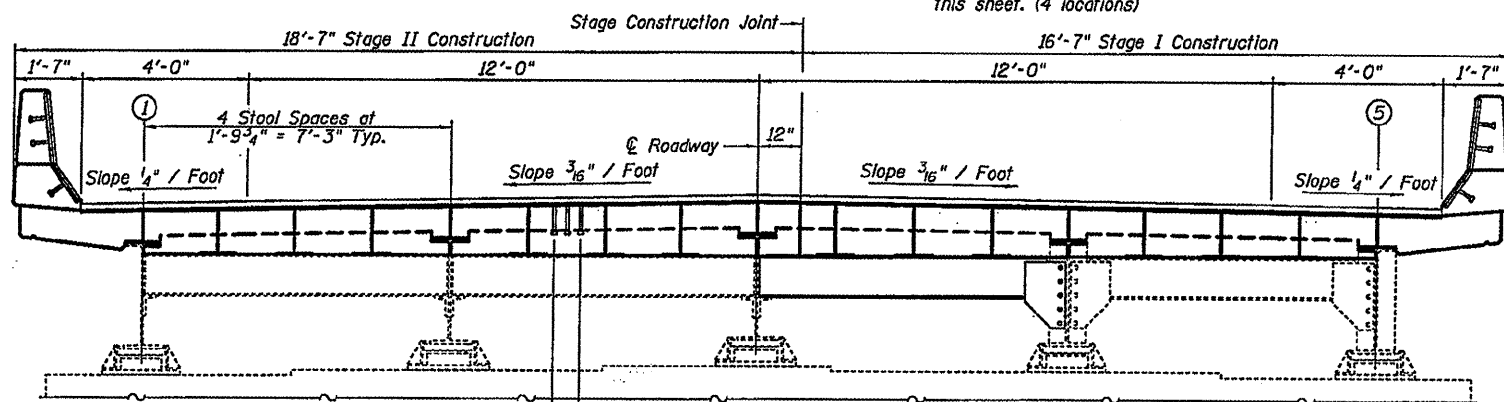


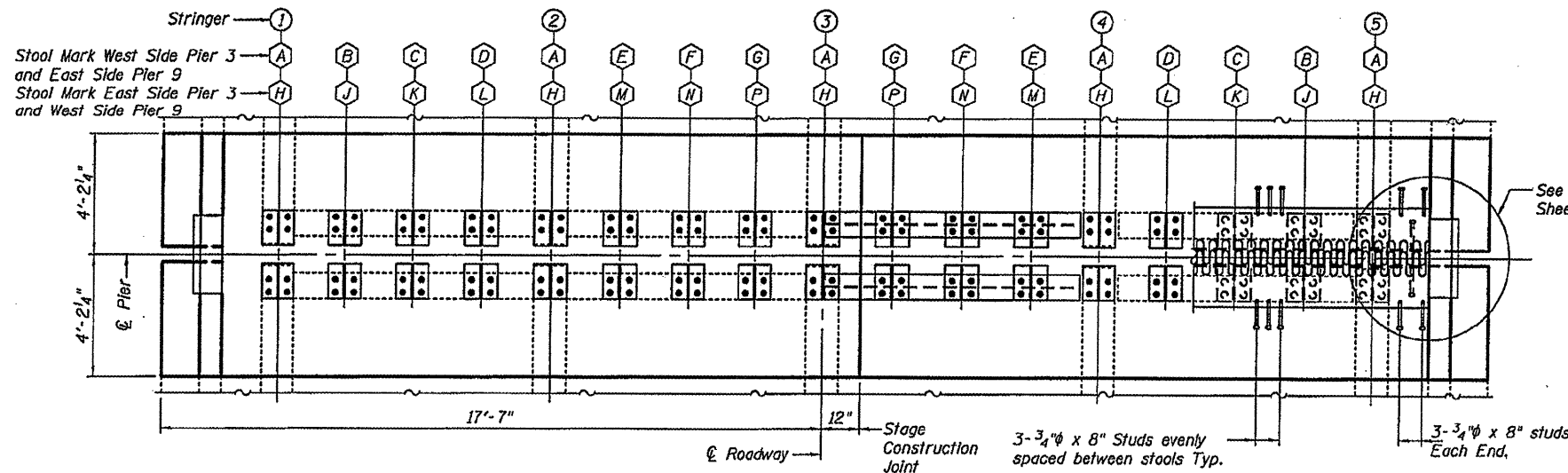
STATE OF ILLINOIS
DEPARTMENT OF TRANSPORTATION



TYPICAL EXISTING JOINT ELEVATION
(Looking West)



TYPICAL JOINT ELEVATION
(Looking West)

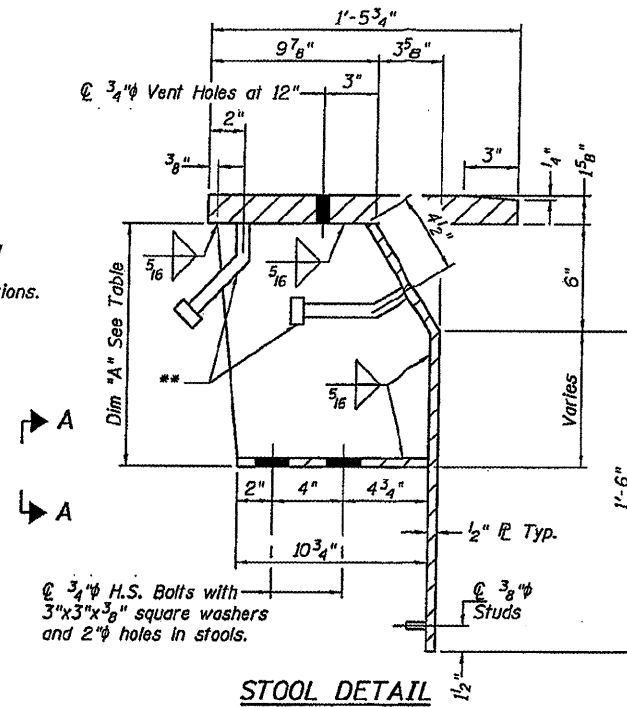


TYPICAL JOINT PLAN

DESIGNED A.J.B.
CHECKED V.H.V.
DRAWN Drew Christopher
CHECKED A.J.B. V.H.V.

February 27, 2009
EXAMINED *A. Carl Perry*
ENGINEER OF STRUCTURAL SERVICES
PASSED *Ralph E. Anderson*
ENGINEER OF BRIDGES AND STRUCTURES

**3/4" x 8" granular or solid flux filled headed studs conforming to Article 1006.32 of the Standards Specifications.



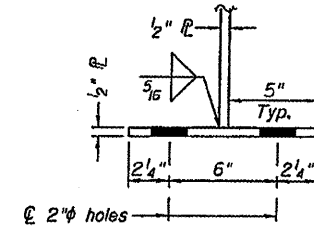
STOOL DETAIL

TABLE FOR DIMENSION "A"
W SIDE P 3 AND E SIDE P 9

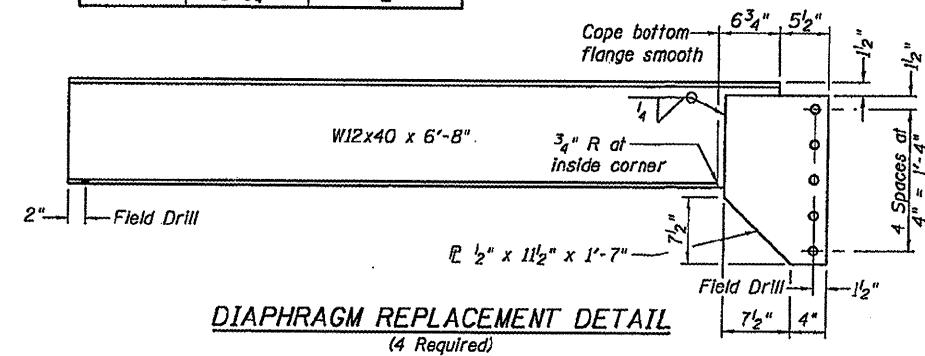
Stool Mark	Dim "A"	# Stools Req'd
A	9 7/8"	5
B	1'-0 1/2"	2
C	1'-0 7/8"	2
D	1'-1 1/4"	2
E	1'-2"	2
F	1'-2 3/8"	2
G	1'-2 3/4"	2

TABLE FOR DIMENSION "A"
E SIDE P 3 AND W SIDE P 9

Stool Mark	Dim "A"	# Stools Req'd
H	7 3/4"	5
J	11 1/8"	2
K	11 1/2"	2
L	11 7/8"	2
M	1'-0 5/8"	2
N	1'-0 7/8"	2
P	1'-1 1/4"	2



SECTION A-A



DIAPHRAGM REPLACEMENT DETAIL
(4 Required)

DECK AND JOINT DETAILS
SN 065-0003

SHEET NO.	F.A.P. RTE.	SECTION	COUNTY	TOTAL SHEETS	SHEET NO.
4	34	(2) Bridge Rehab	Menard	29	26
			CONTRACT NO. 72C71		
FED. ROAD DIST. NO. ILLINOIS FED. AID PROJECT					