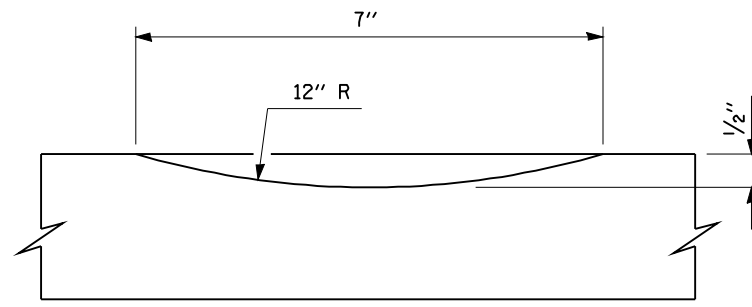
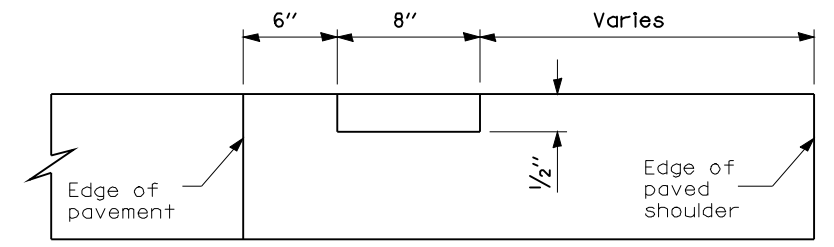


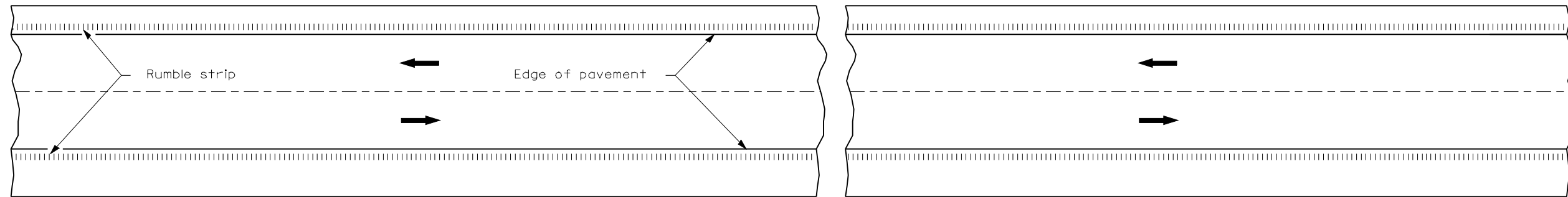
PLAN



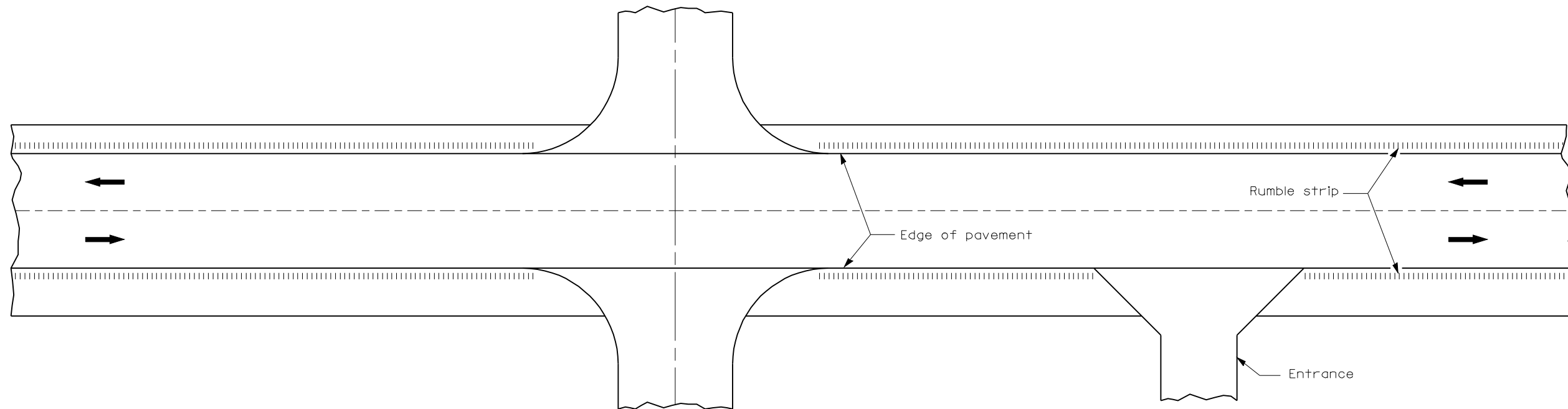
SECTION A-A



SECTION B-B



HALF PLAN
TYPICAL APPLICATION FOR RURAL AREAS



HALF PLAN
TYPICAL APPLICATION AT SIDEROADS AND ENTRANCES

FILE NAME = RUMBLE.DGN	USER NAME = laughlinr1	DESIGNED -	REVISED -	STATE OF ILLINOIS DEPARTMENT OF TRANSPORTATION	RUMBLE STRIPS DETAIL				F.A.S. RTE.	SECTION	COUNTY	TOTAL SHEETS	SHEET NO.
		DRAWN -	REVISED -		608	122, 125, 126, INT-SHLD	MACOUPIN	15	15				
		CHECKED -	REVISED -		CONTRACT NO. 72C97				FED. ROAD DIST. NO.	ILLINOIS	FED. AID PROJECT		
		DATE -	REVISED -		SCALE:	SHEET NO.	OF SHEETS	STA.	TO STA.				