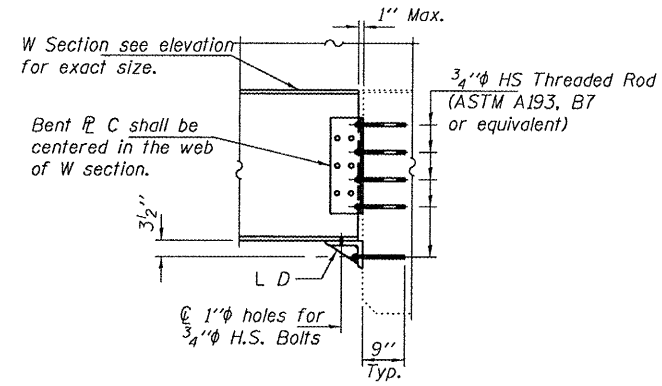
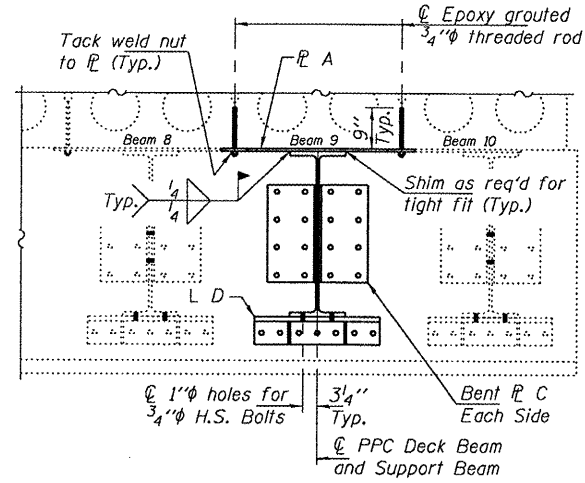


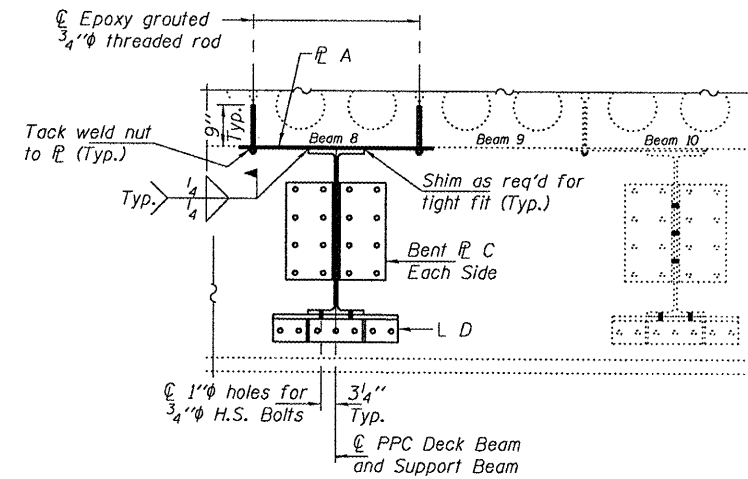
STATE OF ILLINOIS  
DEPARTMENT OF TRANSPORTATION



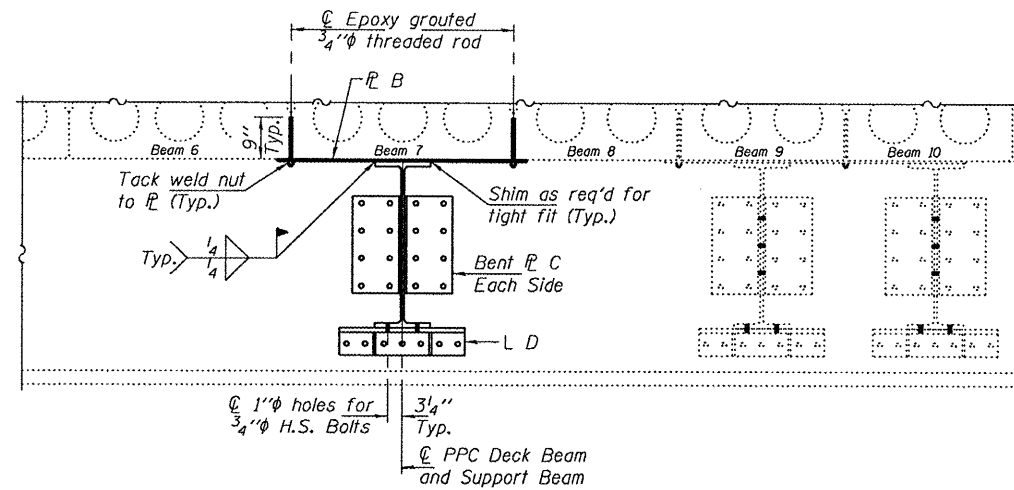
TYPICAL CONNECTION SECTION



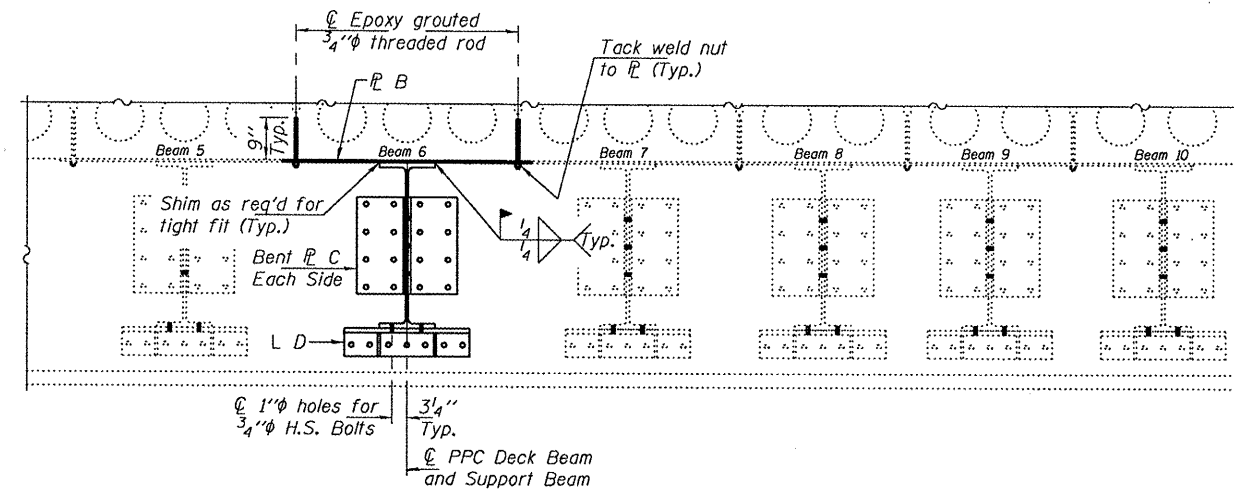
PARTIAL SPAN 1 CROSS SECTION  
(Looking West)



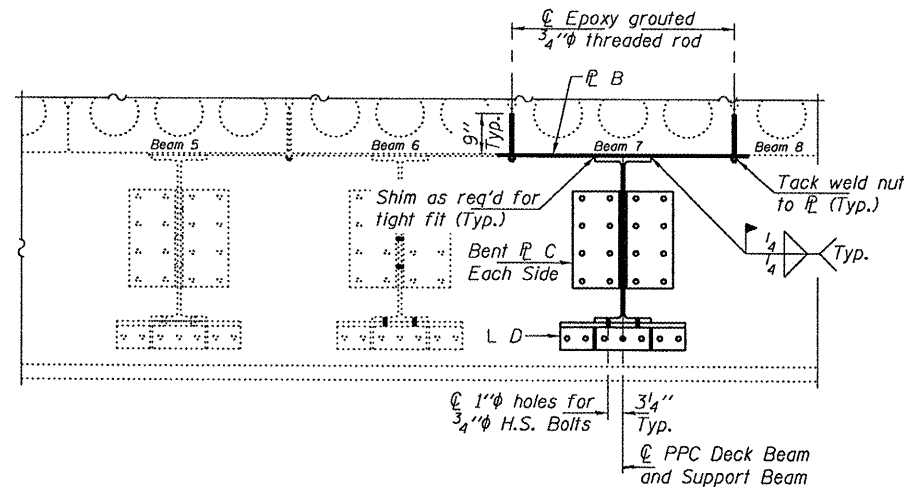
PARTIAL SPAN 2 CROSS SECTION  
(Looking West)



PARTIAL SPAN 4 CROSS SECTION  
(Looking West)



PARTIAL SPAN 7 CROSS SECTION  
(Looking West)



PARTIAL SPAN 10 CROSS SECTION  
(Looking West)

DESIGNED	DAB
CHECKED	VHV
DRAWN	Kyle M. Steffen
CHECKED	DAB VHV

OCTOBER 29, 2009  
 EXAMINED *Carl Hoyer*  
 ENGINEER OF STRUCTURAL SERVICES  
 PASSED *Ralph E. Anderson*  
 ENGINEER OF BRIDGES AND STRUCTURES

DECK CROSS SECTIONS  
SN 059-0034

SHEET NO. 2  2 SHEETS	F.A.P. RTE. 761	SECTION 107BR-7	COUNTY MACOUPIN	TOTAL SHEETS 8	SHEET NO. 8
	CONTRACT NO. 72D27				
FED. ROAD DIST. NO. ILLINOIS FED. AID PROJECT					