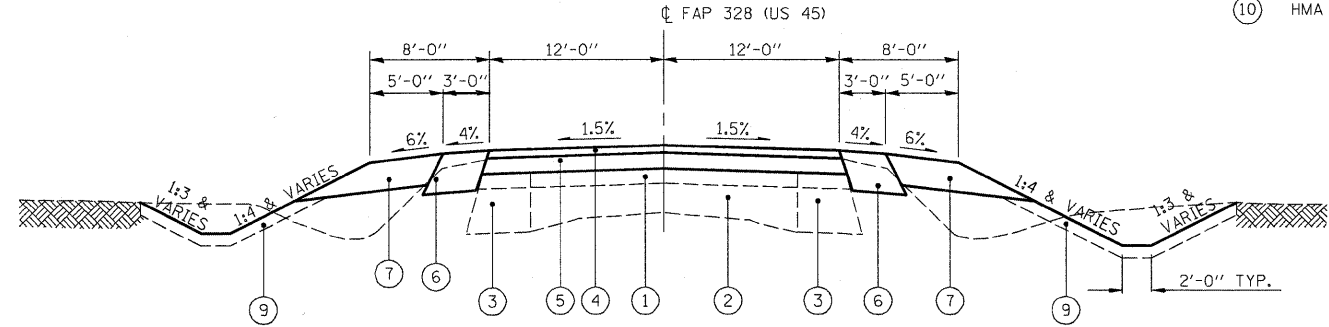


**EXISTING TYPICAL SECTION**

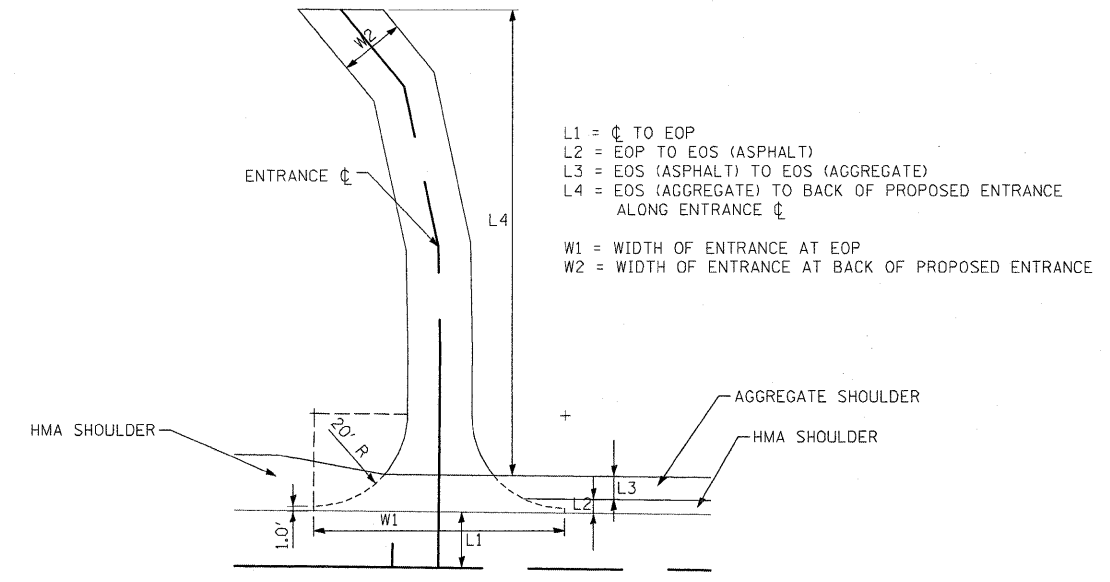
STA 807+40.00 TO STA 817+00.00

- LEGEND**
- ① EXISTING BITUMINOUS SURFACE, 3" MIN.
  - ② EXISTING PCC PAVEMENT (9"-6"-9")
  - ③ EXISTING BASE COURSE WIDENING, 9"
  - ④ HOT-MIX ASPHALT SURFACE COURSE, MIX "C", N50 (1.5")
  - ⑤ HOT-MIX ASPHALT BINDER COURSE, IL 19.0, N70 (VARIABLE DEPTH)
  - ⑥ HOT MIX ASPHALT SHOULDERS, 8" (MIN)
  - ⑦ AGGREGATE SHOULDERS, TYPE B, 6"
  - ⑧ PORTLAND CEMENT CONCRETE BASE COURSE WIDENING, 10"
  - ⑨ TOPSOIL FURNISH AND PLACE, 4" OR TOPSOIL EXCAVATION AND PLACEMENT, 4"
  - ⑩ HMA BASE COURSE WIDENING 12" MINIMUM



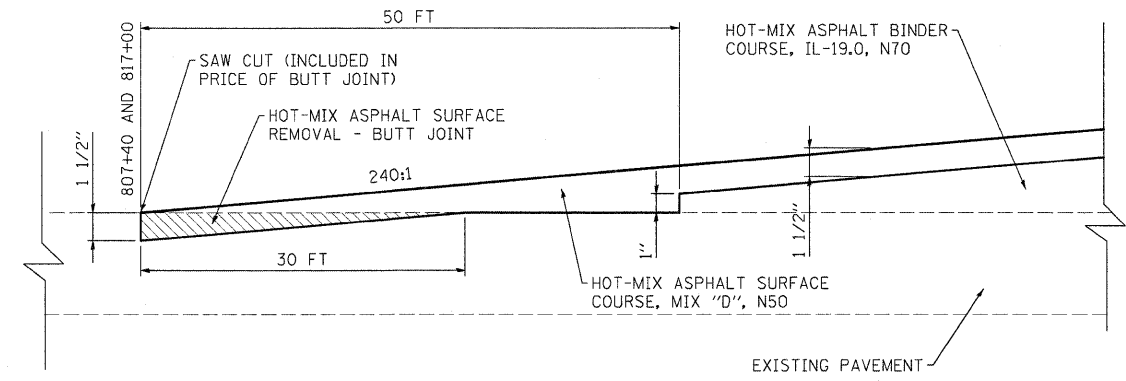
**PROPOSED TYPICAL SECTION**

STA 807+40.00 LT/RT TO STA 808+34.71 RT (STA 809+06.86 LT)  
 STA 815+65.29 LT (STA 816+05.64 RT) TO STA 817+00.00 LT/RT



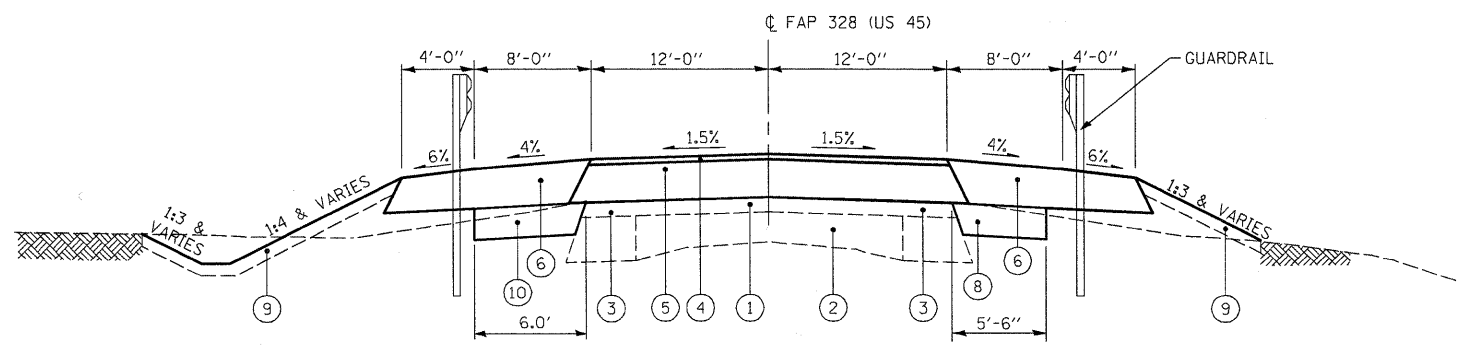
**ENTRANCE DETAIL**

STATION 816+10



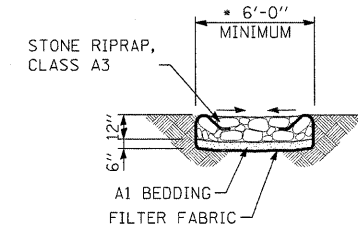
**BUTT JOINT DETAIL**

(NOT TO SCALE)



**PROPOSED TYPICAL SECTION**

STA 809+06.86 TO STA 815+65.29 LT  
 STA 808+34.71 TO STA 816+05.64 RT  
 STA 811+87.51 TO STA 812+97.14 LT (SEE BRIDGE STRUCTURE PLANS)  
 STA 812+02.85 TO STA 813+12.49 RT (SEE BRIDGE STRUCTURE PLANS)



**BRIDGE APPROACH PAVEMENT DRAIN DETAIL**

• PROVIDES DRAINAGE DOWN EMBANKMENT FROM BRIDGE APPROACH PAVEMENT

FILE NAME =	USER NAME = #USER#	DESIGNED - DJR	REVISED -	<b>STATE OF ILLINOIS DEPARTMENT OF TRANSPORTATION</b>	<b>TYPICAL SECTIONS AND MISCELLANEOUS DETAILS</b>		F.A.P. RTE. 328	SECTION 4(BR-1)B	COUNTY CLAY	TOTAL SHEETS 42	SHEET NO. 5
#FILE#	PLOT SCALE = #SCALE#	DRAWN - KOJ	REVISED -				SCALE: NONE	SHEET NO. 1 OF 2 SHEETS	STA. TO STA.	CONTRACT NO. 74310	
	PLOT DATE = #DATE#	CHECKED -	REVISED -								
		DATE -	REVISED -								

/4915/4915.195A\*3LucasCreekStandalone/TS45\_01.DGN

H.M.C. NO. 4915