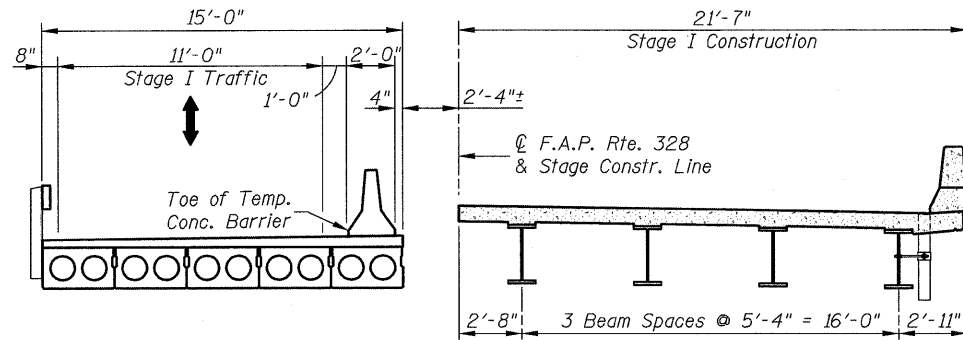
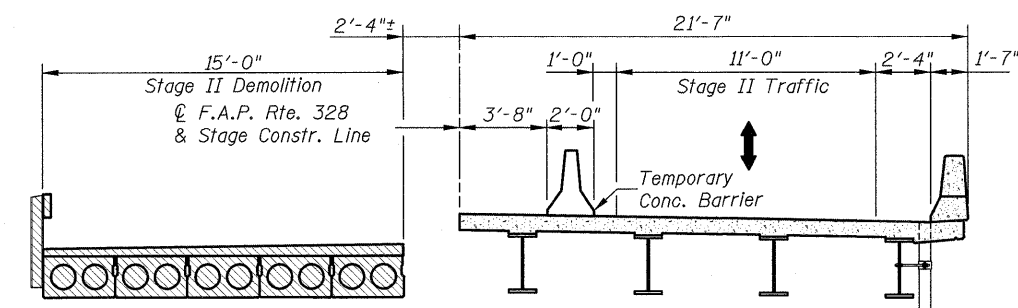


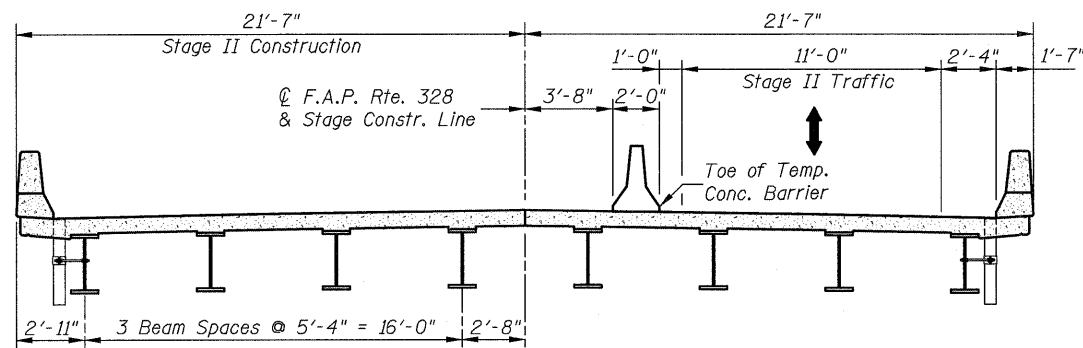
STAGE I DEMOLITION
(Looking North)



STAGE I CONSTRUCTION
(Looking North)



STAGE II DEMOLITION
(Looking North)

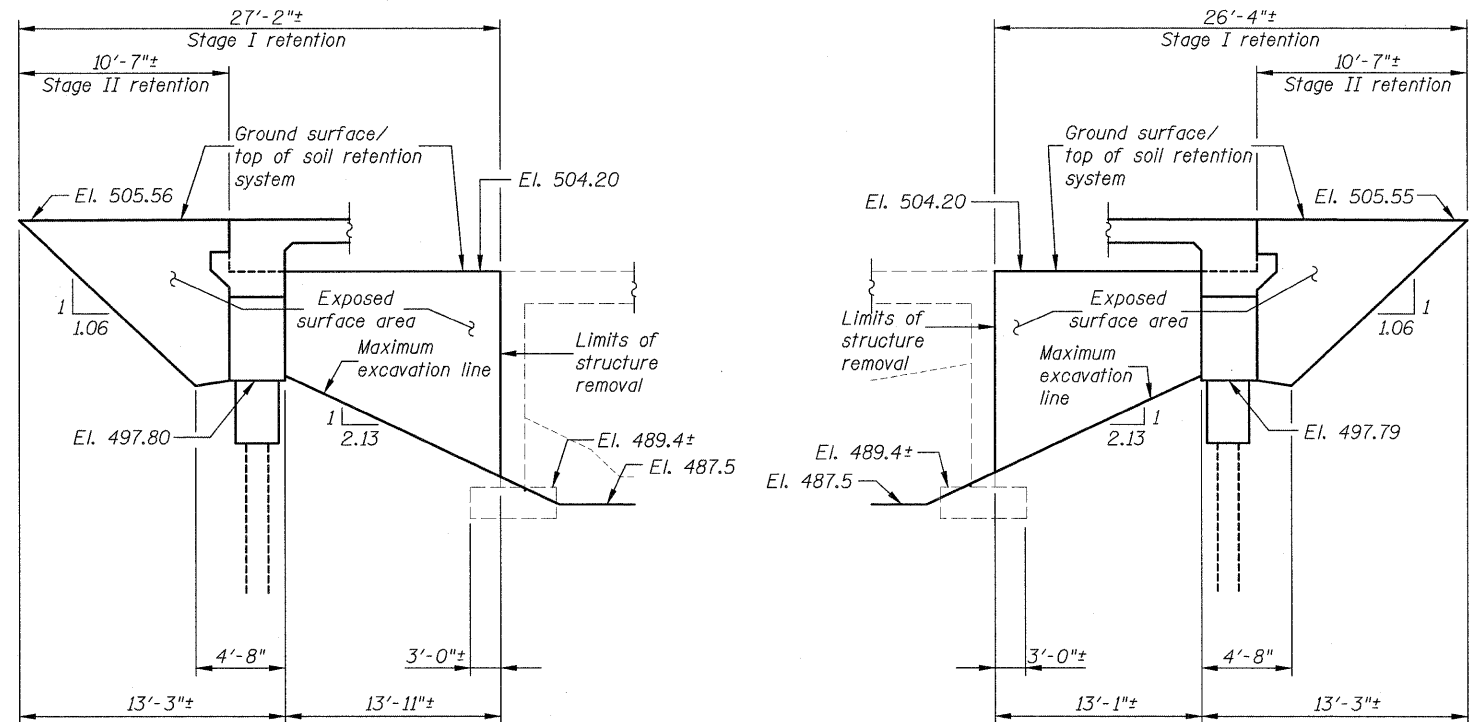


STAGE II CONSTRUCTION
(Looking North)

DESIGNED	B.G.H.
CHECKED	L.D.G.
DRAWN	K.H.L.
CHECKED	B.G.H.

Note:

A cantilevered sheet piling design does not appear feasible and additional members or other retention systems may be necessary. The Contractor shall submit a temporary soil retention system design, including plan details and calculations, for review and acceptance by the Engineer.



NORTH ABUTMENT ELEVATION

SOUTH ABUTMENT ELEVATION

TEMPORARY SOIL RETENTION SYSTEM ELEVATION

STAGE CONSTRUCTION DETAILS

SHEET NO. 3	F.A.P. RTE.	SECTION	COUNTY	TOTAL SHEETS	SHEET NO.
	328	(4BR-1)B	CLAY	42	21
21 SHEETS	S.N. 013-0039		CONTRACT NO. 74310		
	FED. ROAD DIST. NO.	ILLINOIS	FED. AID PROJECT		