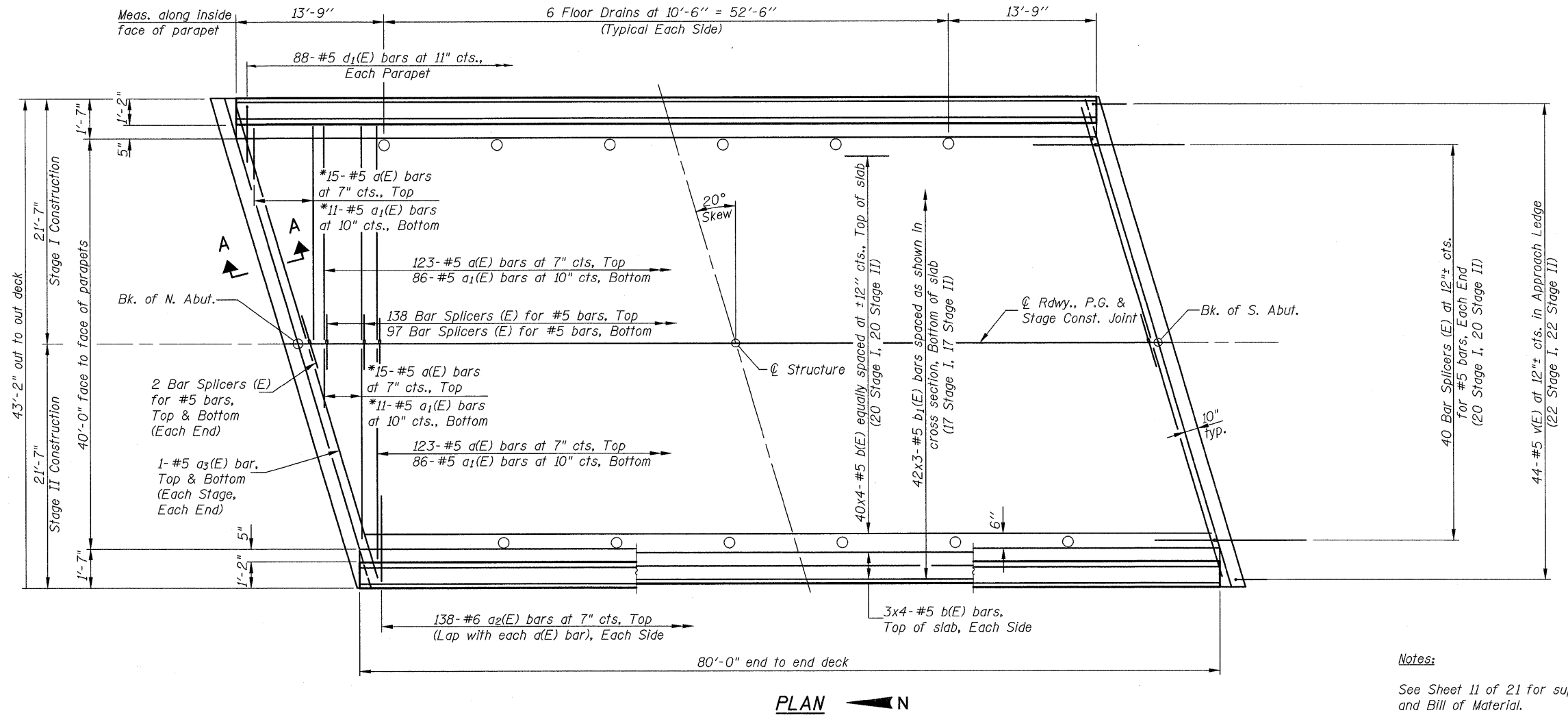


\* Order a(E) & a<sub>1</sub>(E) bars full length. Cut to fit skew and use remainder of bars in opposite end.



**MIN. BAR LAP**  
#5 bar = 2'-2"

**Notes:**

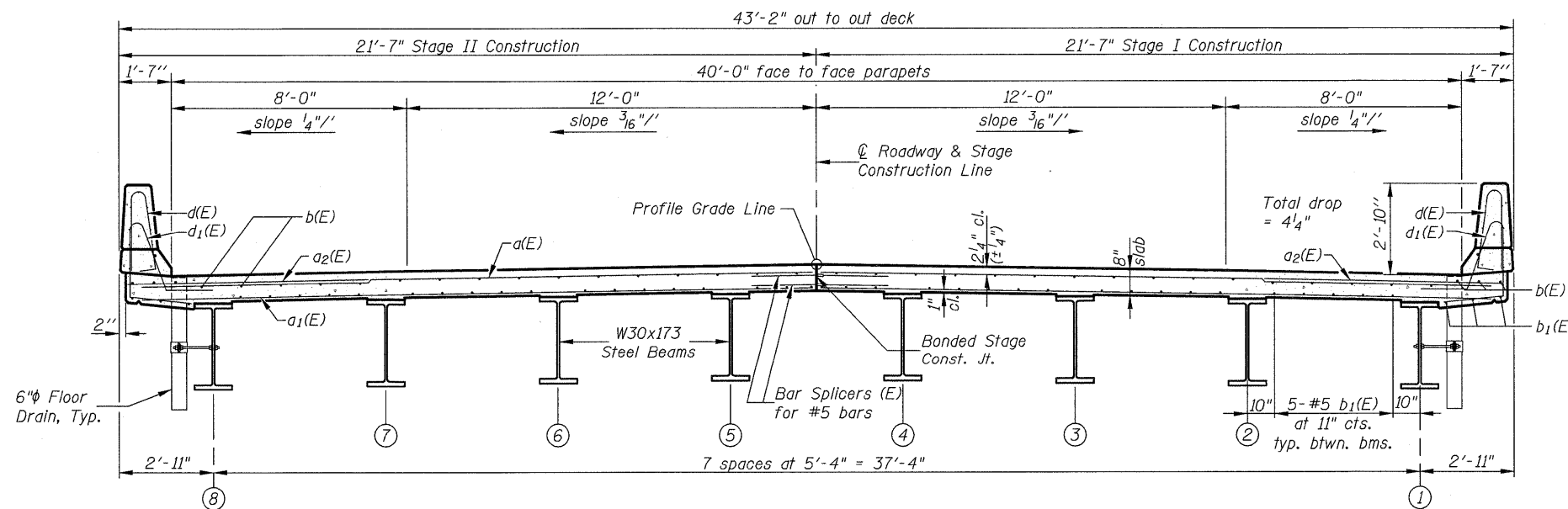
See Sheet 11 of 21 for superstructure details and Bill of Material.

Bars indicated thus 40 x 4-#5 etc. indicates 40 lines of bars with 4 lengths per line.

See Sheet 11 of 21 for parapet reinforcement.

Section A-A shown on sheet 12 of 21.

For Bar Splicer Details see sheet 19 of 21.



**CROSS SECTION**  
(Looking North)

**SUPERSTRUCTURE**

DESIGNED	B.G.H.
CHECKED	L.D.G.
DRAWN	K.H.L.
CHECKED	B.G.H.

SHEET NO. 10	F.A.P. RTE.	SECTION	COUNTY	TOTAL SHEETS	SHEET NO.
	328	(4BR-1B)	CLAY	42	28
21 SHEETS	S.N. 013-0039		CONTRACT NO. 74310		
	FED. ROAD DIST. NO.	ILLINOIS	FED. AID PROJECT		