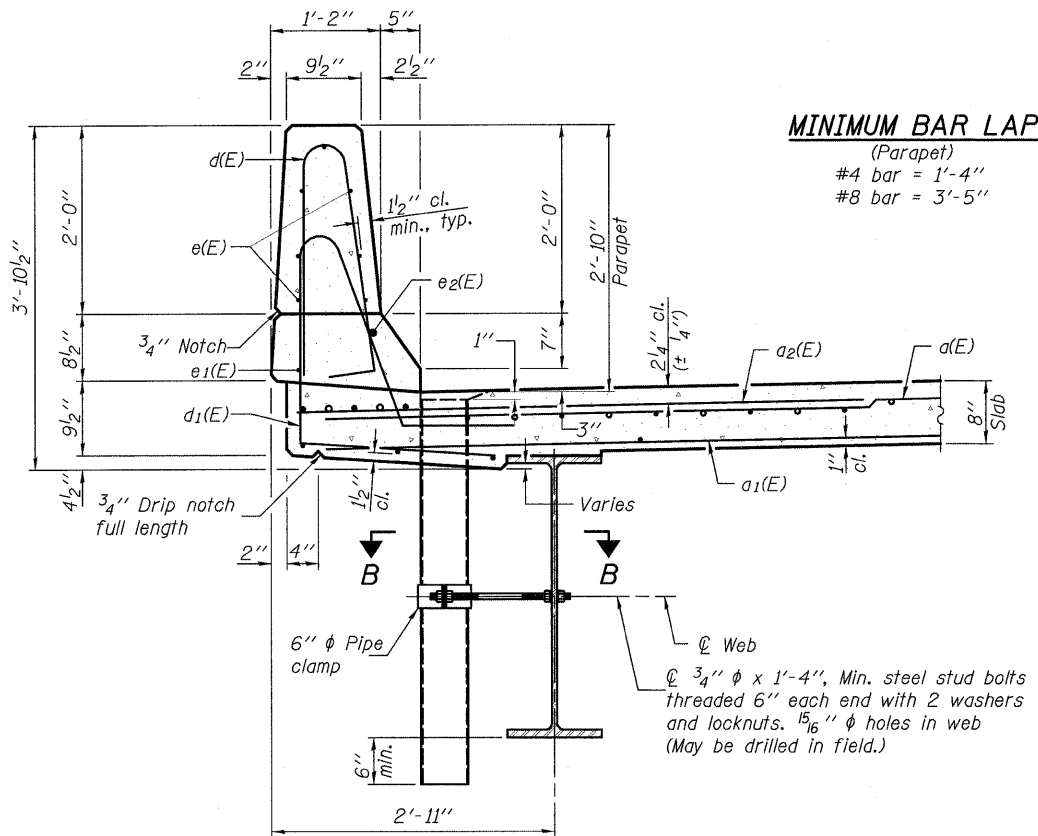
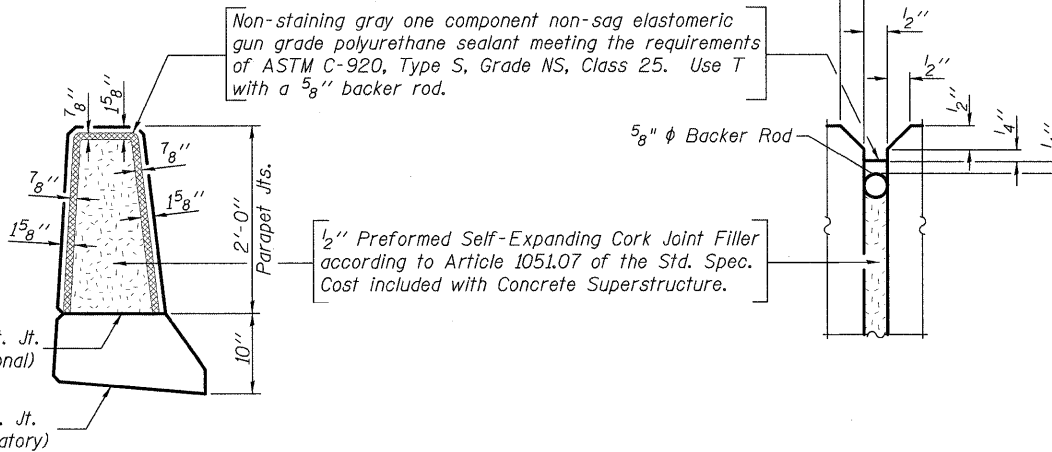


INSIDE ELEVATION OF PARAPET



SECTION THRU PARAPET

MINIMUM BAR LAP
(Parapet)
#4 bar = 1'-4"
#8 bar = 3'-5"



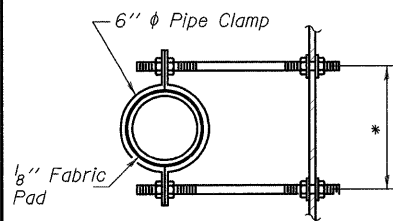
PARAPET JOINT DETAILS

Notes:
The exterior surfaces of the floor drains shall be painted with the finish coat as specified in the special provisions for Cleaning and Painting New Metal Structures. The exterior surfaces of the drains shall be cleaned according to Society of Protective Coatings Spec. SSPC-SP1 prior to painting.
Fiberglass pipe shall conform to ASTM D 2996, with short-time rupture strength hoop tensile stress of 30,000 p.s.i. minimum.
Drains shall be located clear of all diaphragms.

SUPERSTRUCTURE BILL OF MATERIAL

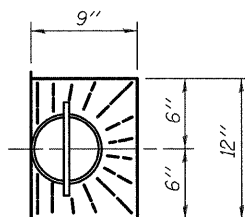
Bar	No.	Size	Length	Shape
a(E)	276	#5	21'-1"	—
a1(E)	194	#5	20'-8"	—
a2(E)	276	#6	6'-0"	—
a3(E)	8	#5	22'-5"	—
b(E)	184	#5	21'-7"	—
b1(E)	126	#5	28'-0"	—
d(E)	176	#5	5'-7"	⌒
d1(E)	176	#5	7'-6"	⌒
e(E)	56	#4	19'-9"	—
e1(E)	6	#4	27'-6"	—
e2(E)	6	#8	28'-10"	—
m(E)	8	#6	22'-5"	—
m1(E)	12	#6	22'-5"	—
m2(E)	32	#6	7'-8"	—
m3(E)	12	#6	5'-0"	—
m4(E)	8	#6	2'-4"	—
s(E)	96	#5	6'-11"	⌒
s1(E)	84	#4	9'-3"	⌒
v(E)	88	#5	3'-4"	⌒
Reinforcement Bars, Epoxy Coated		Pound	27,140	
Concrete Superstructure		Cu. Yds.	138.2	

Bars indicated thus 1 x 3-#5 etc. indicates 1 line of bars with 3 lengths per line.

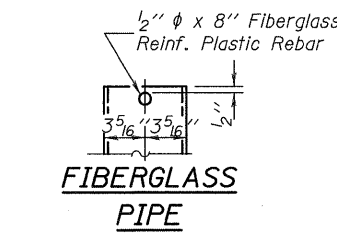


SECTION B-B

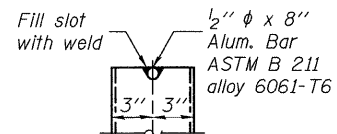
*Dimension as required by Pipe Clamp



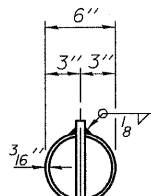
TOP PLAN



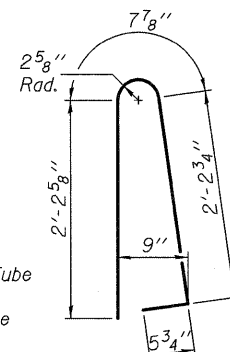
FIBERGLASS PIPE



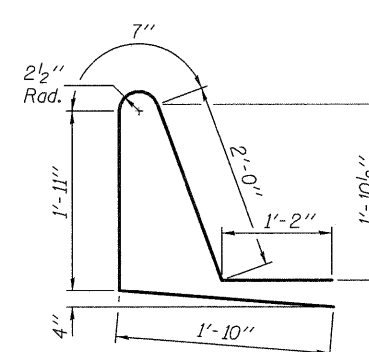
ALUMINUM TUBE



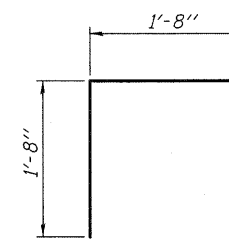
TOP PLAN
(Showing Aluminum Tube)



BAR d(E)



BAR d1(E)



BAR v(E)

SUPERSTRUCTURE DETAILS

DESIGNED	B.G.H.
CHECKED	L.D.G.
DRAWN	K.H.L.
CHECKED	B.G.H.

S-I-D 10-1-08

SHEET NO. 11	F.A.P. RTE.	SECTION	COUNTY	TOTAL SHEETS	SHEET NO.
	328	(4BR-1)B	CLAY	42	29
21 SHEETS	S.N. 013-0039		CONTRACT NO. 74310		
	FED. ROAD DIST. NO.	ILLINOIS	FED. AID PROJECT		