

Notes:

See sheet 13 of 21 for Detail A and View B-B.

Approach slab and parapet concrete shall be paid for as Concrete Superstructure.

Approach footing concrete shall be paid for as Concrete Structures.

Reinforcement shall be paid for as Reinforcement Bars, Epoxy Coated.

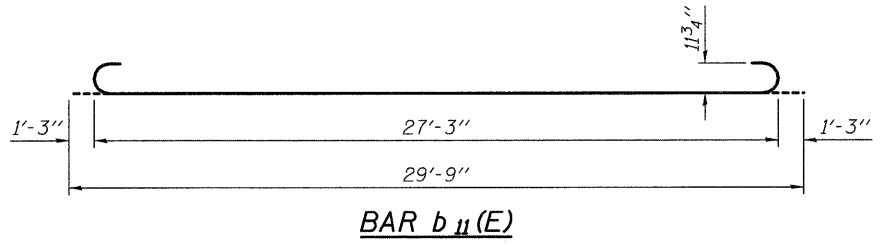
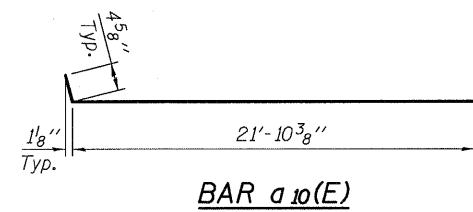
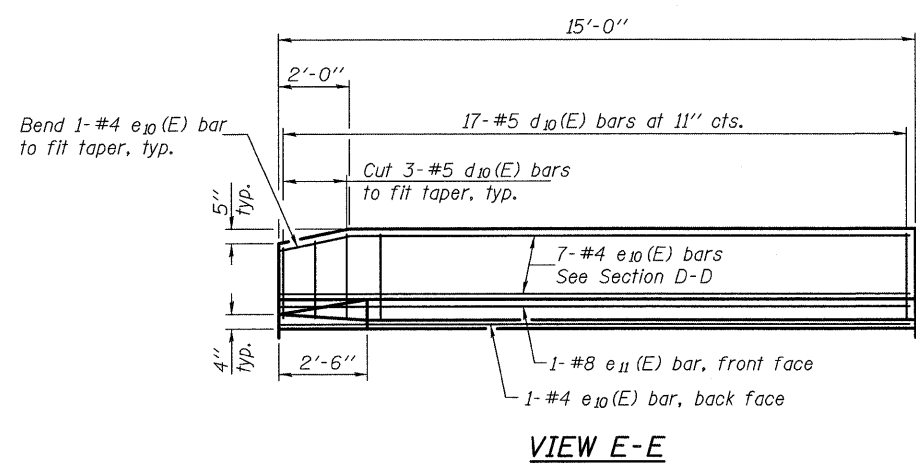
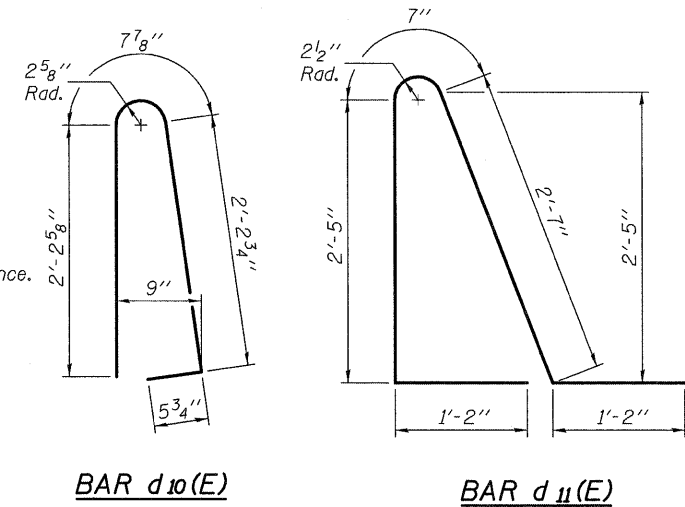
For v(E) bar details, see sheet 11 of 21.

The approach footing maximum applied service bearing pressure (Q_{max}) = 2.0 ksf.

For bar splicer details, see sheet 19 of 21.

Cost of excavation for approach footing included with Concrete Structures.

For Porous Granular Embankment (Special) and drainage treatment details, see sheet 2 of 21.



**TWO APPROACHES
BILL OF MATERIAL**

Bar	No.	Size	Length	Shape
a ₁₀ (E)	100	#4	22'-4"	┌───┐
a ₁₁ (E)	184	#5	21'-11"	┌───┐
a ₁₂ (E)	48	#6	6'-0"	┌───┐
b ₁₀ (E)	80	#4	29'-8"	┌───┐
b ₁₁ (E)	200	#9	29'-9"	┌───┐
b ₁₂ (E)	4	#4	14'-8"	┌───┐
b ₁₃ (E)	4	#4	14'-8"	┌───┐
d ₁₀ (E)	68	#5	5'-7"	┌───┐
d ₁₁ (E)	68	#5	7'-11"	┌───┐
e ₁₀ (E)	32	#4	14'-8"	┌───┐
e ₁₁ (E)	4	#8	14'-8"	┌───┐
t ₁₀ (E)	168	#4	10'-4"	┌───┐
w ₁₀ (E)	160	#5	21'-11"	┌───┐
Concrete Superstructure			Cu. Yd.	132.1
Concrete Structures			Cu. Yd.	27.5
Reinforcement Bars, Epoxy Coated			Pound	34,270

DESIGNED	B.G.H.
CHECKED	L.D.G.
DRAWN	K.H.L.
CHECKED	B.G.H.

BA-R 10-31-08

(Sheet 2 of 2)
BRIDGE APPROACH SLAB DETAILS

SHEET NO. 14	F.A.P. RTE.	SECTION	COUNTY	TOTAL SHEETS	SHEET NO.
	328	(4BR-1)B	CLAY	42	32
21 SHEETS	S.N. 013-0039		CONTRACT NO. 74310		
	FED. ROAD DIST. NO.	ILLINOIS	FED. AID PROJECT		