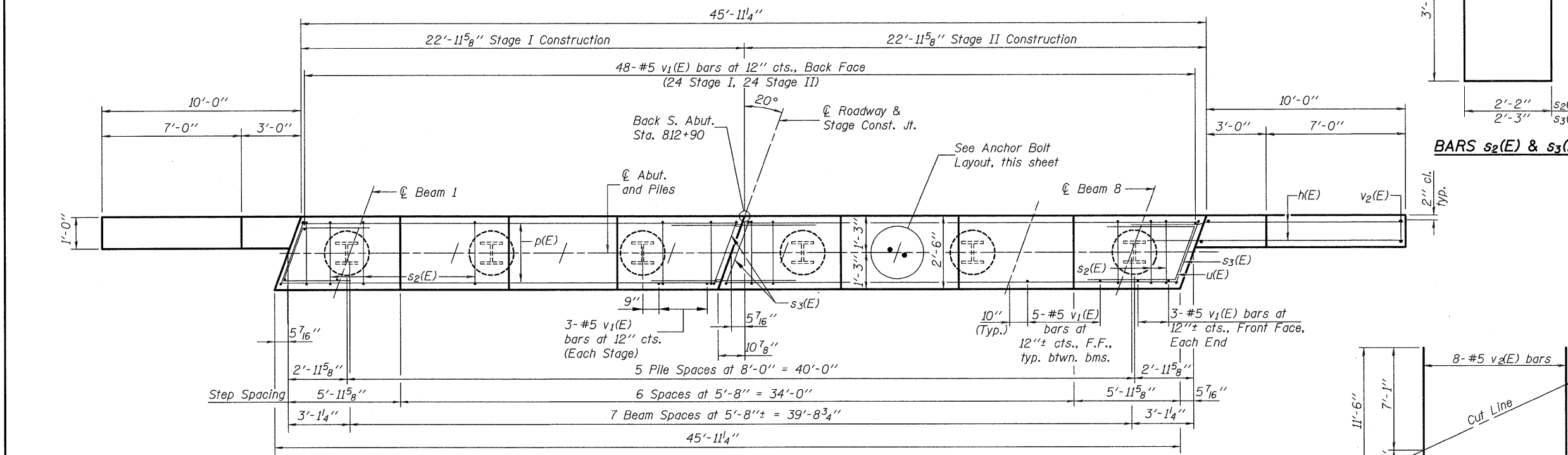
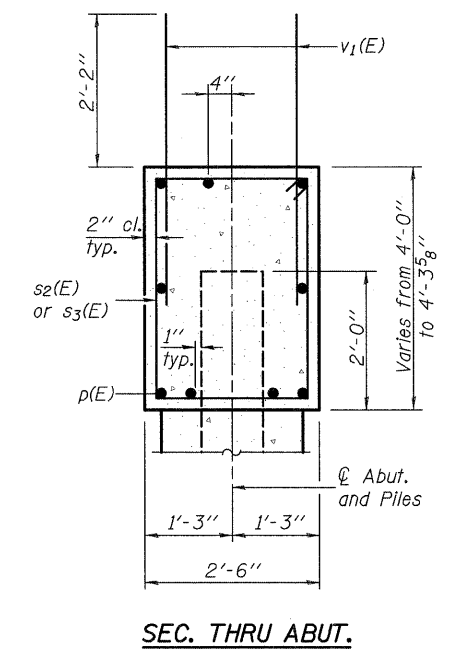
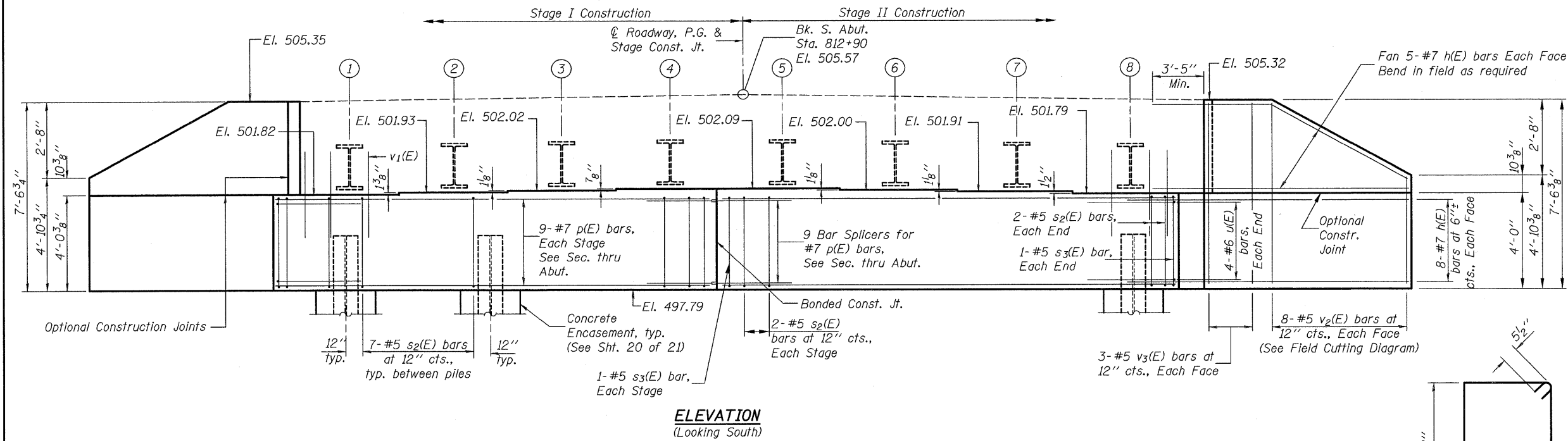


Note: Pour steps monolithically with cap.



BILL OF MATERIAL

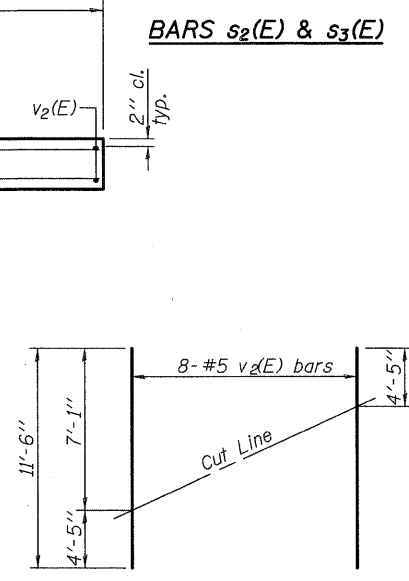
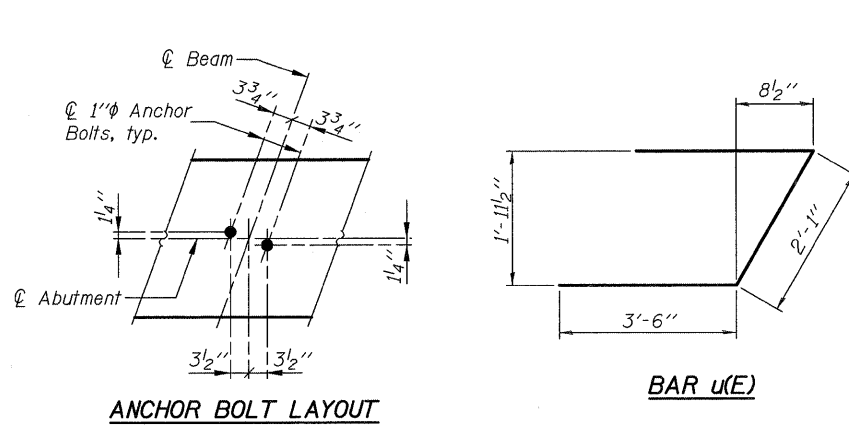
Bar	No.	Size	Length	Shape
h(E)	52	#7	14'-3"	
p(E)	18	#7	22'-7"	
s2(E)	36	#5	12'-7"	□
s3(E)	4	#5	12'-9"	□
u(E)	8	#6	9'-1"	┘
v1(E)	90	#5	4'-4"	
v2(E)	16	#5	11'-6"	
v3(E)	12	#5	7'-1"	
Structure Excavation			Cu. Yd.	115
Concrete Structures			Cu. Yd.	22.5
Reinforcement Bars, Epoxy Coated			Pound	3,670
Furnishing Steel Piles HP 12x74			Foot	90
Concrete Encasement			Cu. Yd.	2.1
Setting Piles in Rock			Each	6

For details of Bar Splicers see sheet 19 of 21. For details of piles and Concrete Encasement see sheet 20 of 21.

PILE DATA

DESIGNED	B.G.H.
CHECKED	L.D.G.
DRAWN	K.H.L.
CHECKED	B.G.H.

Type: HP 12x74
 Nominal Required Bearing: 589 kips
 Factored Resistance Available: 294 kips
 Est. Length: 15 feet
 No. Production Piles: 6
 No. Test Piles: 0



FIELD CUTTING DIAGRAM
 Order v2(E) full length. Cut as shown and use remainder of bars in opposite face.

SOUTH ABUTMENT

SHEET NO. 18	F.A.P. RTE. 328	SECTION (4BR-1B)	COUNTY CLAY	TOTAL SHEETS 42	SHEET NO. 36
21 SHEETS		S.N. 013-0039		CONTRACT NO. 74310	
FED. ROAD DIST. NO. ILLINOIS FED. AID PROJECT					