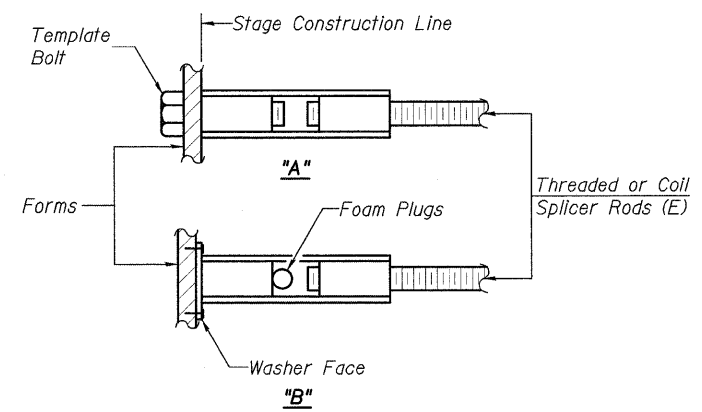


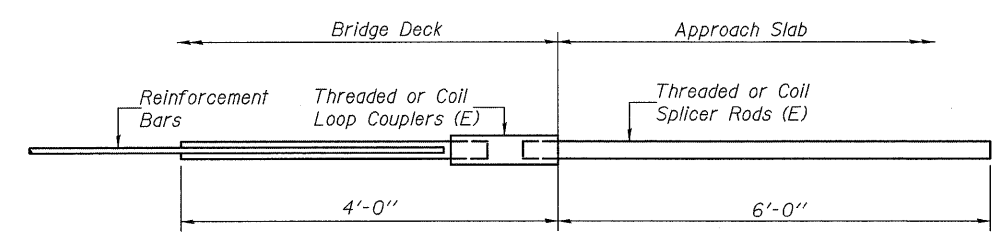
BAR SPLICER ASSEMBLY ALTERNATIVES

**Heavy Hex Nuts conforming to ASTM A 563, Grade C, D or DH may be used.



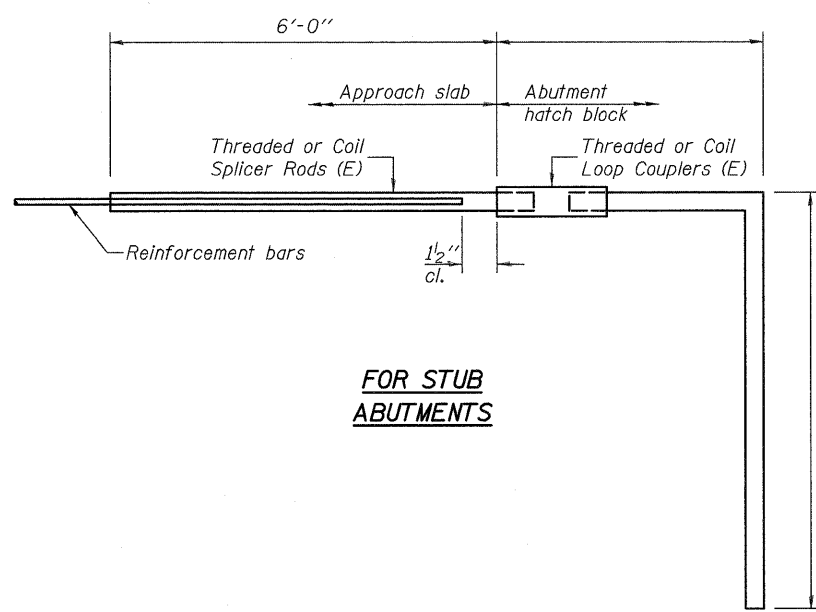
INSTALLATION AND SETTING METHODS

"A" : Set bar splicer assembly by means of a template bolt.
 "B" : Set bar splicer assembly by nailing to wood forms or cementing to steel forms.
 (E) : Indicates epoxy coating.



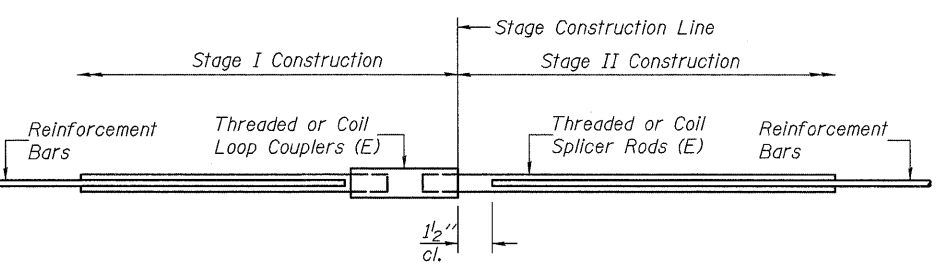
FOR INTEGRAL OR SEMI-INTEGRAL ABUTMENTS

| Bar Splicer for #5 bar | |
|--------------------------|---------------------|
| Min. Capacity = | 23.0 kips - tension |
| Min. Pull-out Strength = | 12.3 kips - tension |
| No. Required = | 80 |



FOR STUB ABUTMENTS

| Bar Splicer for #5 bar | |
|--------------------------|---------------------|
| Min. Capacity = | 23.0 kips - tension |
| Min. Pull-out Strength = | 12.3 kips - tension |
| No. Required = | |



STANDARD

| Bar Size | No. Assemblies Required | Location |
|----------|-------------------------|-----------|
| #6 | 16 | Diaphragm |
| #5 | 239 | Deck |
| #7 | 18 | Abutment |
| #4 | 50 | Approach |
| #5 | 172 | Approach |

BAR SPLICER ASSEMBLY DETAILS

| SHEET NO. 19 | F.A.P. RTE. | SECTION | COUNTY | TOTAL SHEETS | SHEET NO. |
|-----------------------|---------------|----------|--------------------|--------------|-----------|
| | 328 | (4BR-1)B | CLAY | 42 | 37 |
| 21 SHEETS | S.N. 013-0039 | | CONTRACT NO. 74310 | | |
| FED. ROAD DIST. NO. _ | | ILLINOIS | FED. AID PROJECT | | |

| | |
|----------|--------|
| DESIGNED | B.G.H. |
| CHECKED | L.D.G. |
| DRAWN | K.H.L. |
| CHECKED | B.G.H. |

BSD-1 10-1-08