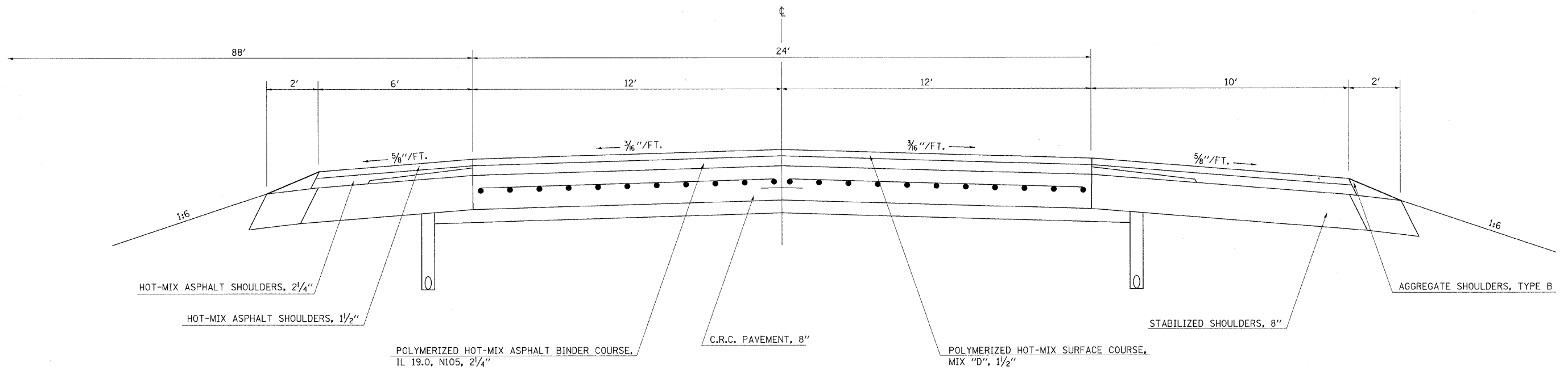


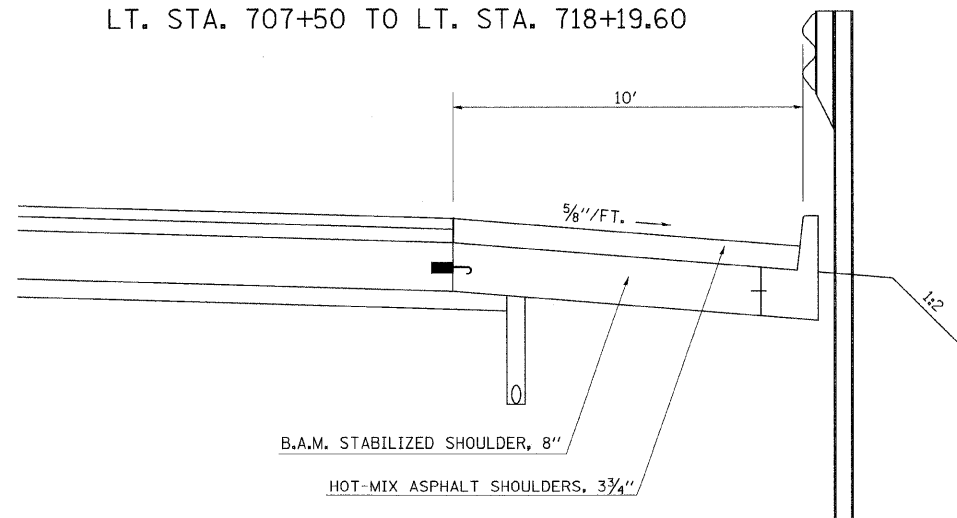
EXISTING TYPICAL CROSS SECTION

STA. 700+98 TO STA. 910+00



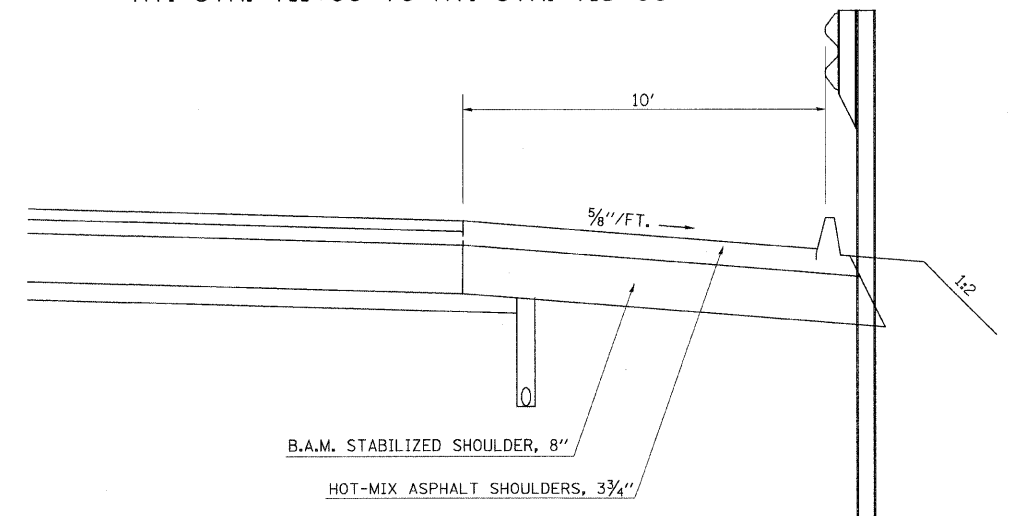
SHOULDER DETAIL

RT. STA. 715+00 TO RT. STA. 718+82.60
LT. STA. 707+50 TO LT. STA. 718+19.60



SHOULDER DETAIL

RT. STA. 711+00 TO RT. STA. 715+00



| | | | |
|--|-----------------------------|------------|-----------|
| FILE NAME = | USER NAME = swartzw | DESIGNED - | REVISED - |
| c:\pw_work\PWIDOT\SWARTZRW\dms37771\sh | typical.74343.dgn | DRAWN - | REVISED - |
| | PLOT SCALE = 20.0000' / IN. | CHECKED - | REVISED - |
| | PLOT DATE = 9/28/2009 | DATE - | REVISED - |

**STATE OF ILLINOIS
DEPARTMENT OF TRANSPORTATION**

TYPICAL CROSS SECTIONS

SCALE: NA SHEET NO. 1 OF 1 SHEETS STA. TO STA.

| | | | | |
|---------------------|------------------|--------|---------------------------|-----------|
| F.A.I. RTE. | SECTION | COUNTY | TOTAL SHEETS | SHEET NO. |
| 72 | 66(B,HVB,HB-1)BR | MACON | 83 | 6 |
| FED. ROAD DIST. NO. | | | ILLINOIS FED. AID PROJECT | |
| | | | CONTRACT NO. 74343 | |