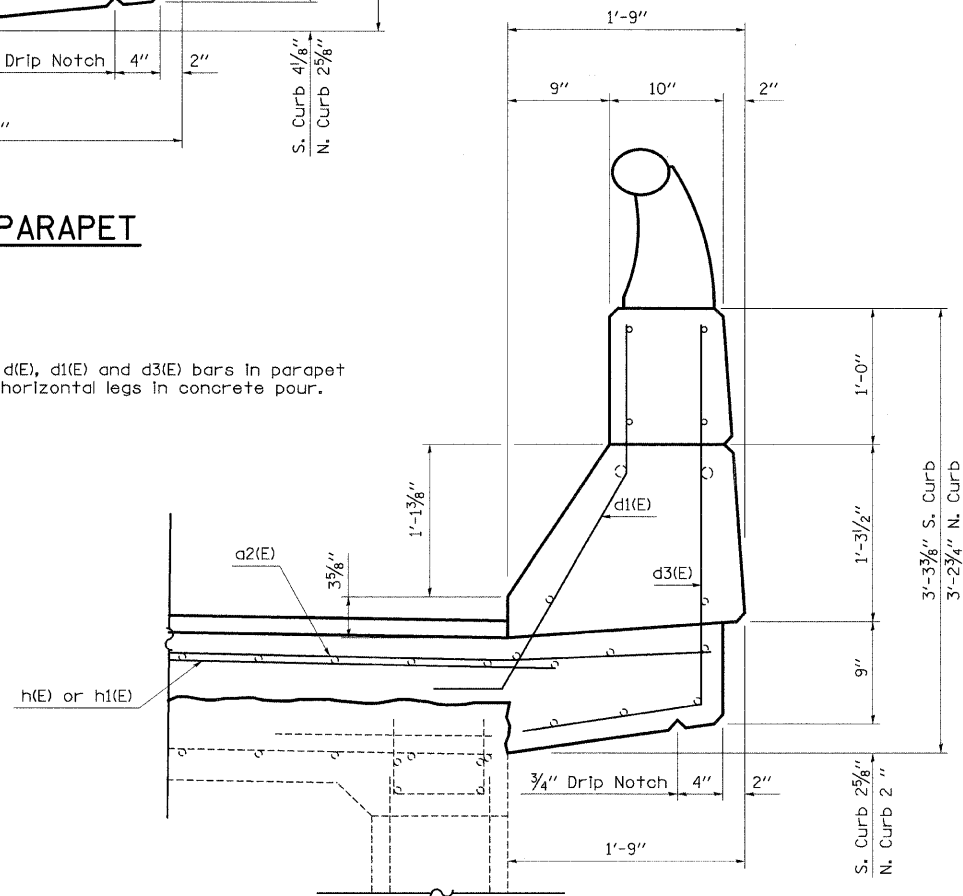
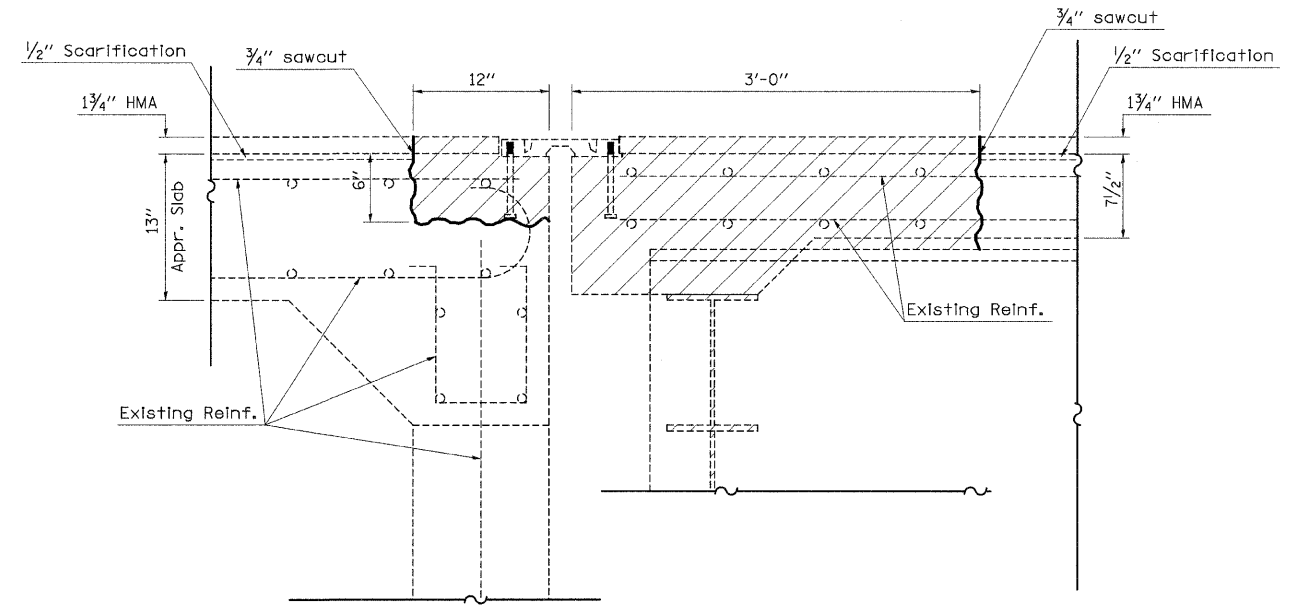


SECTION THRU DECK PARAPET

Note: Rotate d(E), d1(E) and d3(E) bars in parapet to fit horizontal legs in concrete pour.

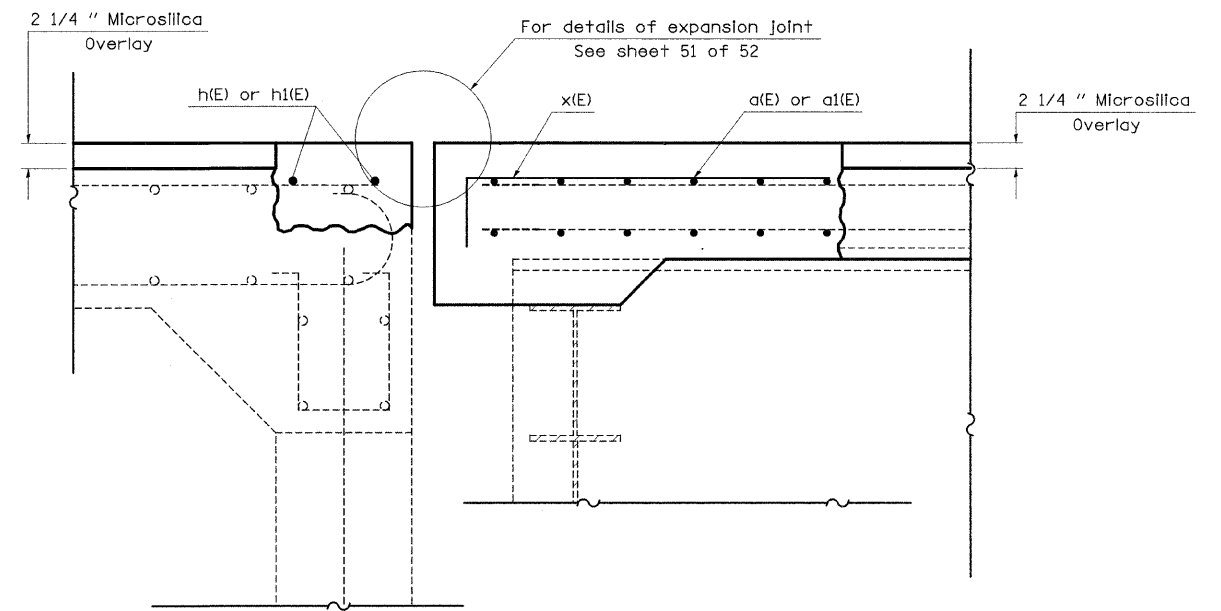


SECTION THRU APPROACH PARAPET



SECTION A-A
(Dimensions at RT L's to end of deck)

- Existing Reinforcement
- Proposed Reinforcement



SECTION B-B
(Dimensions at RT L's to end of deck)

FILE NAME =	USER NAME = swartzrw	DESIGNED -	REVISED -	STATE OF ILLINOIS DEPARTMENT OF TRANSPORTATION	EXPANSION JOINT REPLACEMENT DETAILS SN. 058-0093 (EB) & SN 058-0094 (WB)	F.A.I. RTE.	SECTION	COUNTY	TOTAL SHEETS	SHEET NO.	
c:\pwwork\pwwidot\swartzrw\dms37779\k	enbridge.dgn	DRAWN -	REVISED -			72	66(B,HVB,HB-1)BR	MACON	83	32	
PLOT SCALE = 20,0000' / IN.		CHECKED -	REVISED -			CONTRACT NO. 74343					
PLOT DATE = 9/28/2009		DATE -	REVISED -			FED. ROAD DIST. NO. ILLINOIS FED. AID PROJECT					
						SCALE: N/A	SHEET NO. 5 OF 17 SHEETS	STA.	TO STA.		