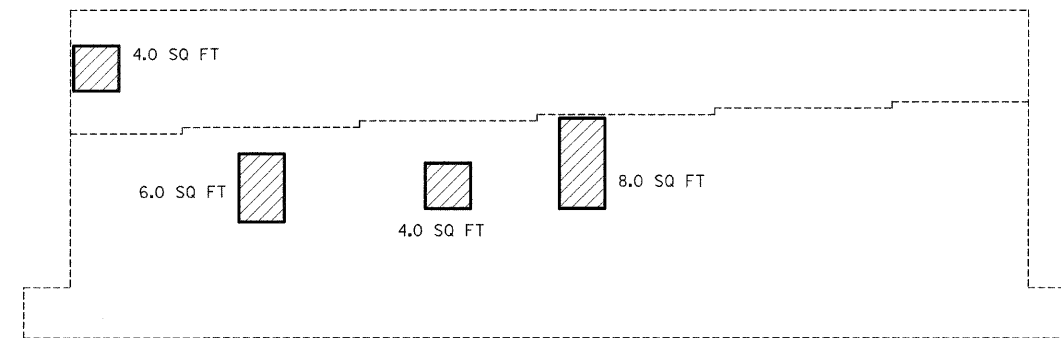
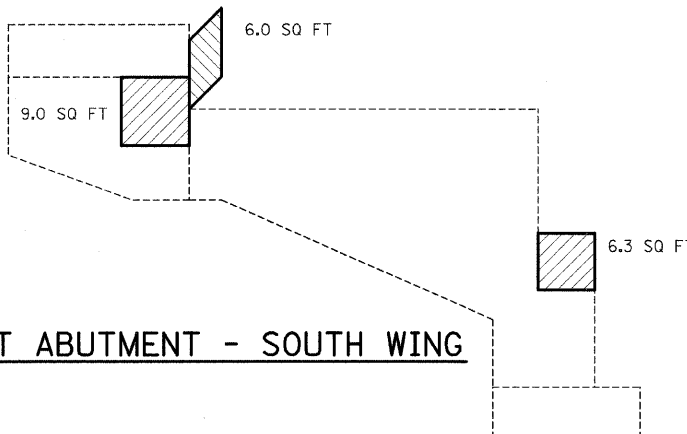


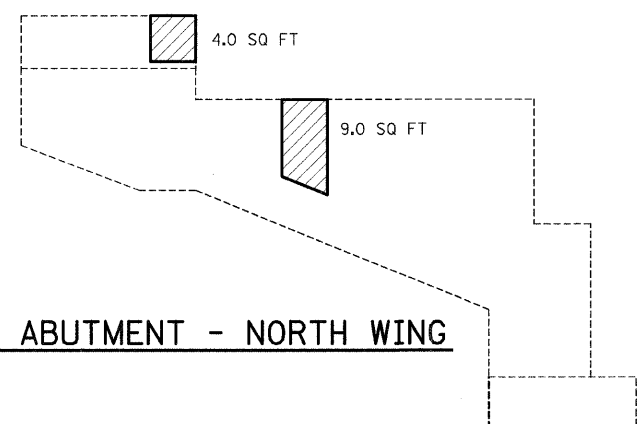
WEST ABUTMENT



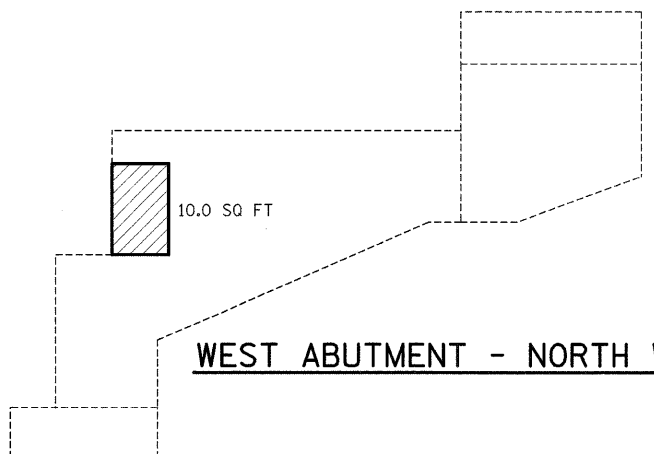
EAST ABUTMENT



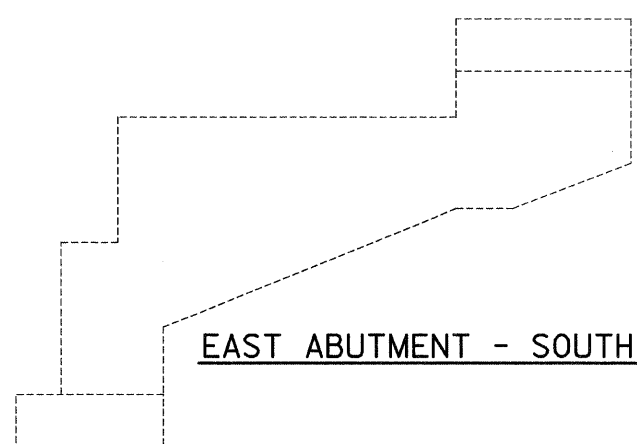
WEST ABUTMENT - SOUTH WING



EAST ABUTMENT - NORTH WING




WEST ABUTMENT - NORTH WING



EAST ABUTMENT - SOUTH WING

NOTE: QUANTITIES ARE ESTIMATED. ACTUAL QUANTITIES TO BE DETERMINED BY THE RESIDENT ENGINEER.

 Structural Repair of Concrete (Depth < 5")

FILE NAME = c:\pwwork\pwwid\SWARTZR\mas37779\k	USER NAME = swartzrw enbridge.dgn	DESIGNED - DRAWN -	REVISED - REVISED -	STATE OF ILLINOIS DEPARTMENT OF TRANSPORTATION	STRUCTURAL REPAIR - SUBSTRUCTURE SN 058-0093 (EB)		F.A.I. RTE. 72	SECTION 66(B,HVB,HB-1)BR	COUNTY MACON	TOTAL SHEETS 83	SHEET NO. 37	
	PLOT SCALE = 20.0000' / 1" IN.	CHECKED -	REVISED -		SCALE: N/A	SHEET NO. 10 OF 17 SHEETS	STA.	TO STA.	CONTRACT NO. 74343			
	PLOT DATE = 9/28/2009	DATE -	REVISED -		FED. ROAD DIST. NO. ILLINOIS FED. AID PROJECT							