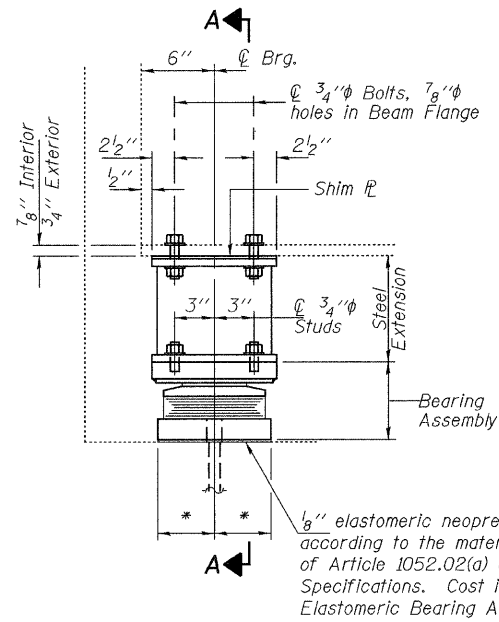
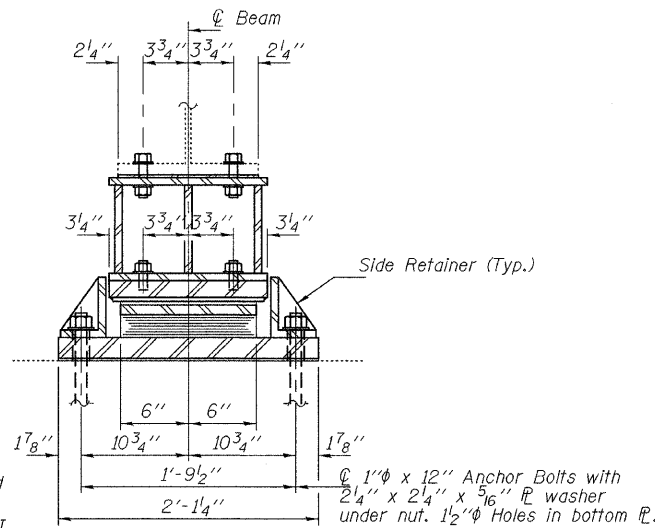


STATE OF ILLINOIS
DEPARTMENT OF TRANSPORTATION

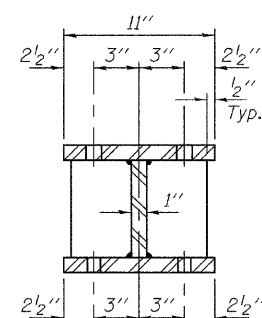


ELEVATION AT ABUTMENTS

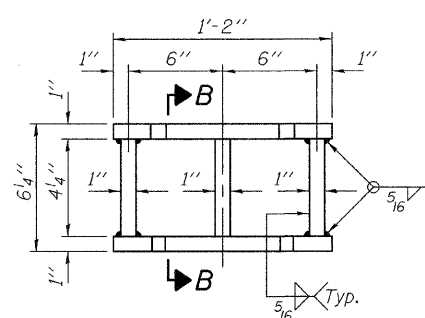
TYPE II TFE ELASTOMERIC EXP. BRG.



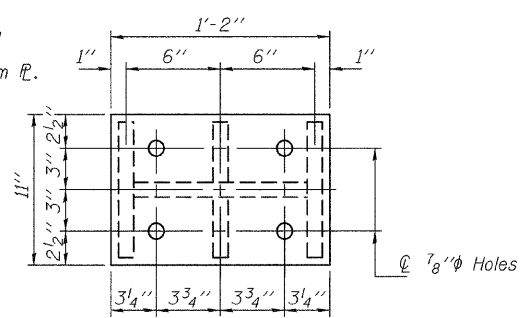
SECTION A-A



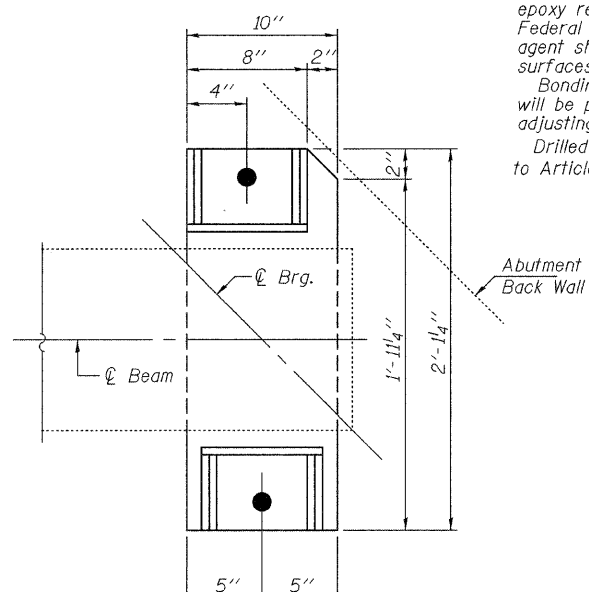
SECTION B-B



STEEL EXTENSION DETAIL



PLAN TOP AND BOTTOM PLATE



PLAN VIEW OF BOTTOM BEARING PLATE

EAST ABUTMENT BEAM REACTIONS

R _φ	(K)	38.8
R _⊥	(K)	43.9
Imp.	(K)	11.0
R (Total)	(K)	93.7

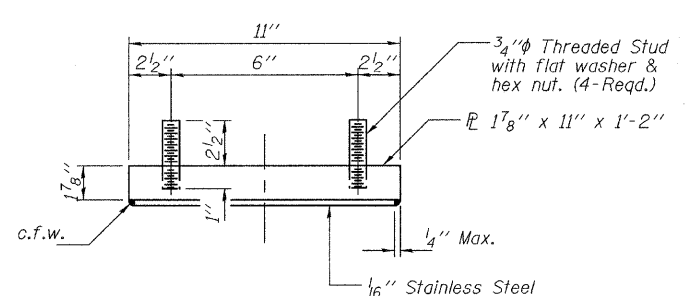
WEST ABUTMENT BEAM REACTIONS

R _φ	(K)	35.1
R _⊥	(K)	44.7
Imp.	(K)	12.3
R (Total)	(K)	92.1

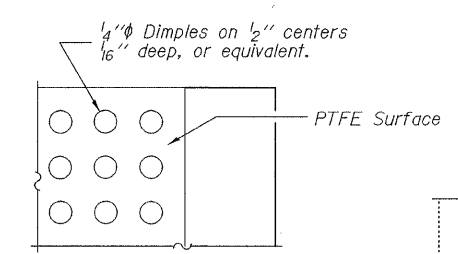
BILL OF MATERIAL

Item	Unit	Total
Elastomeric Bearing Assembly Type II	Each	24
Jack and Remove Existing Bearings	Each	24
Furnishing and Erecting Structural Steel	Pound	3420
Anchor Bolts, 1"φ	Each	48

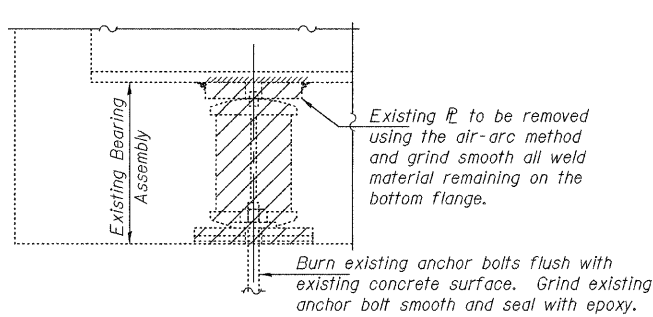
ABUTMENT BEARING REPLACEMENT DETAILS
SN 058-0095 & 0096



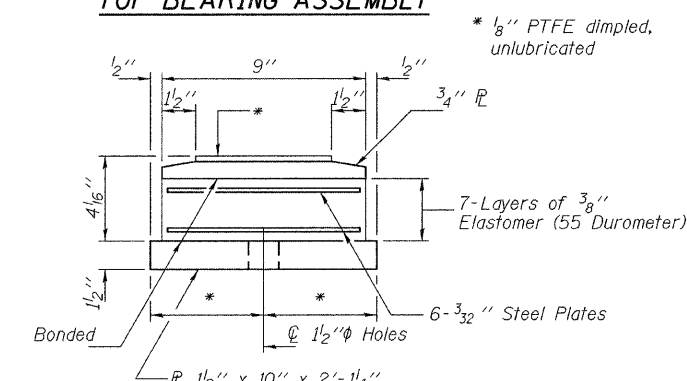
TOP BEARING ASSEMBLY



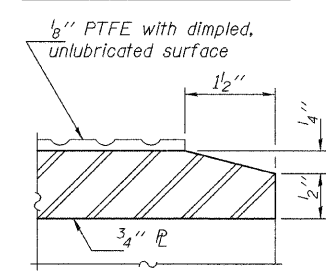
PLAN-TFE SURFACE



EXISTING BEARING REMOVAL DETAIL

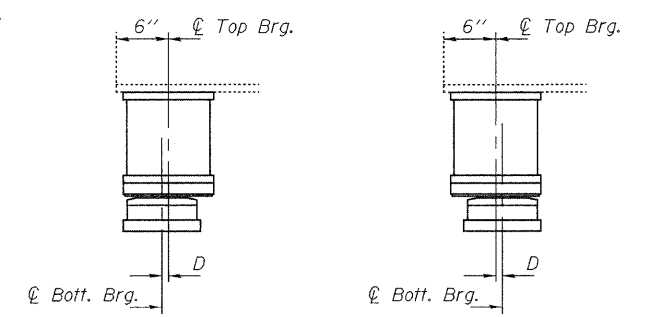


BOTTOM BEARING ASSEMBLY



SECTION THRU TFE

Cost included with Jack and Remove Existing Bearings.



SHIM PLATES

SN 058-0095 at W. Abut.	
Girder 3	5/8" x 11" x 12"
Girder 4	5/8" x 11" x 12"
SN 058-0096 at W. Abut.	
Girder 4	1/4" x 11" x 12"

BELOW 50° F. (Move bott. brg. away from fixed brg.) ABOVE 50° F. (Move bott. brg. toward fixed brg.)

DESIGNED	AJB
CHECKED	SJB
DRAWN	Steffen
CHECKED	AJB SJB

OCTOBER 30, 2009
EXAMINED *Carl P. ...*
ENGINEER OF STRUCTURAL SERVICES
PASSED *Ralph E. Anderson*
ENGINEER OF BRIDGES AND STRUCTURES

SIDE RETAINER

Equivalent rolled angle with stiffeners will be allowed in lieu of welded plates.

SETTING ANCHOR BOLTS AT EXP. BRG.

D = 1/8" per each 100' of expansion for every 15° temp. change from the normal temp. of 50°F.

SHEET NO. 18	F.A.I. RTE.	SECTION	COUNTY	TOTAL SHEETS	SHEET NO.
21 SHEETS	72	66(B,HVB,HB-1)BR	MACON	83	62
FED. ROAD DIST. NO.			ILLINOIS FED. AID PROJECT		
CONTRACT NO. 74343					