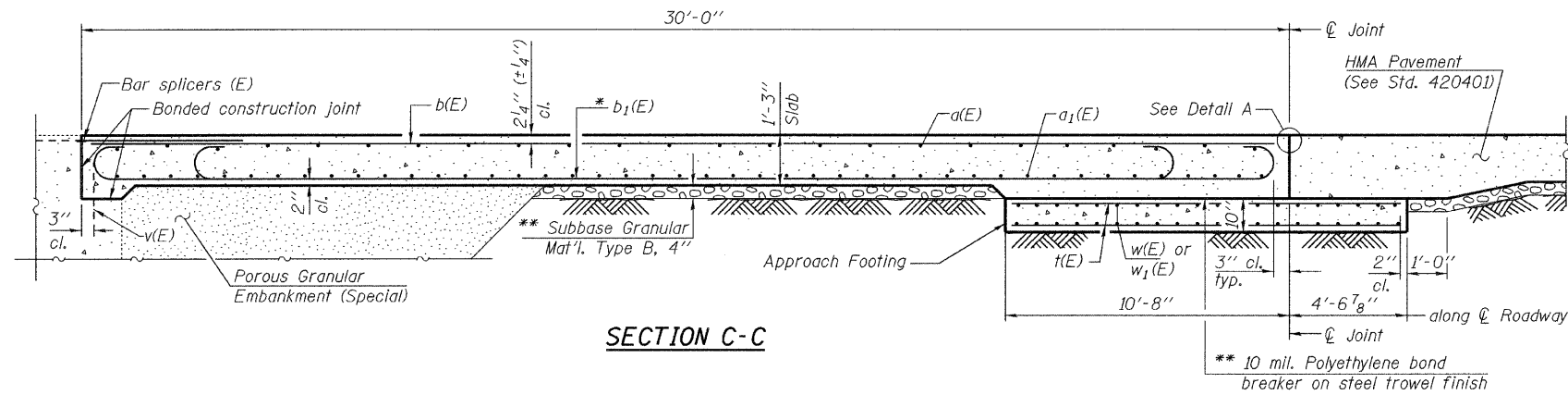
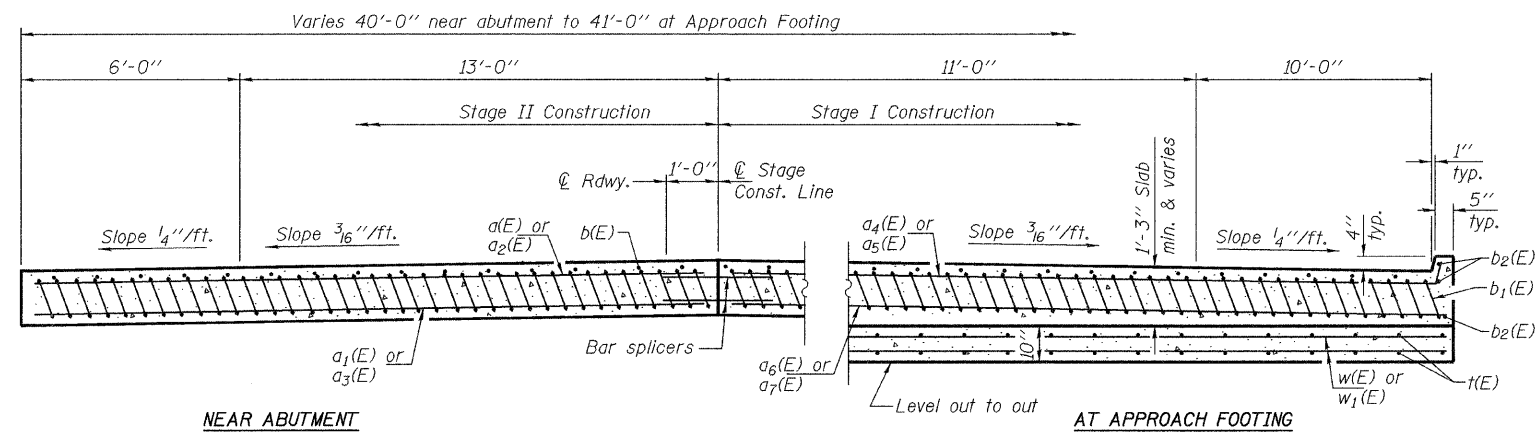


STATE OF ILLINOIS  
DEPARTMENT OF TRANSPORTATION

NOTES:  
See sheet 19 of 21 for Detail A.  
Approach Slab shall be paid for as Concrete Superstructure.  
Approach Footing concrete shall be paid for as Concrete Structures.  
Reinforcement shall be paid for as Reinforcement Bars, Epoxy Coated.  
The Approach Footing maximum applied service bearing pressure ( $Q_{max}$ ) = 2.0 ksf.  
For Bar Splicer details, see sheet 21 of 21.  
Cost of excavation for Approach Footing included with Concrete Structures.



SECTION C-C



NEAR ABUTMENT

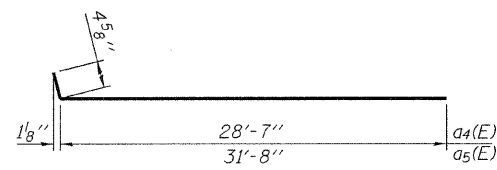
AT APPROACH FOOTING

SECTION D-D

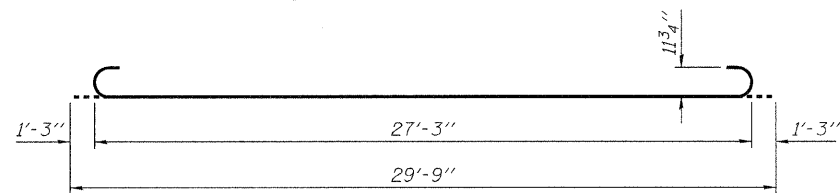
(See Plan for dimensions not shown)

\* Tilt #9  $b_1(E)$  bars as required to maintain clearance.

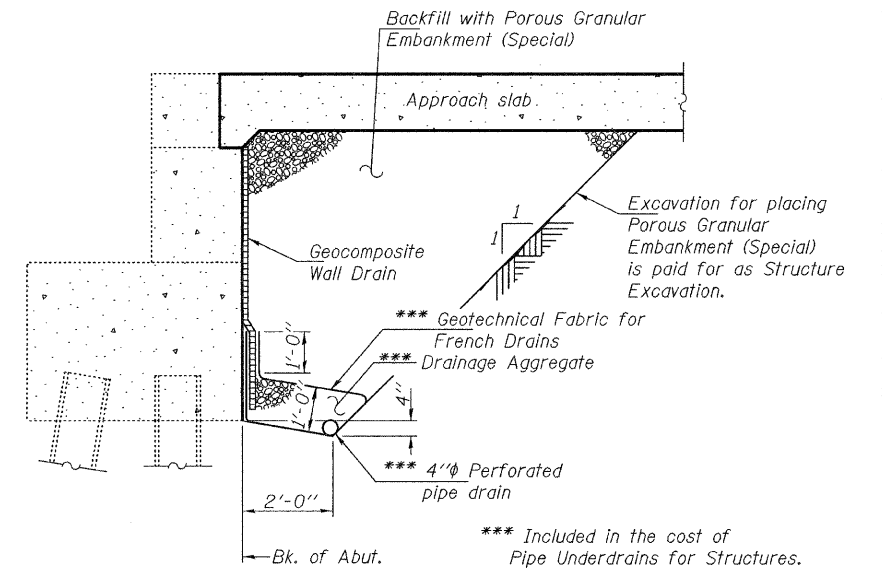
\*\* Cost included with Concrete Superstructure.



BARS  $a_4(E)$  &  $a_5(E)$



BAR  $b_1(E)$



SECTION THRU PILE SUPPORTED  
STUB ABUTMENT

(Horiz. dim. @ Rt. L's)

Note:

All drainage system components shall extend parallel to the abutment back wall until they intersect the wingwalls or 2'-0" from the end of the wingwalls when the wings are parallel to the abutment. The pipe shall extend under the wingwall, if necessary, until intersecting the side slopes. The pipes shall drain into concrete headwalls. (See Article 601.05 of the Standard Specifications and Highway Standard 60110).

BILL OF MATERIAL

Bar	No.	Size	Length	Shape
$a(E)$	18	#4	28'-7"	—
$a_1(E)$	33	#5	31'-8"	—
$a_2(E)$	18	#4	28'-7"	—
$a_3(E)$	33	#5	31'-8"	—
$a_4(E)$	7	#4	29'-0"	—
$a_5(E)$	7	#4	32'-1"	—
$a_6(E)$	13	#5	28'-7"	—
$a_7(E)$	13	#5	31'-8"	—
$b(E)$	40	#4	29'-1"	—
$b_1(E)$	96	#9	29'-9"	—
$b_2(E)$	6	#4	8'-2"	—
$t(E)$	80	#4	14'-11"	—
$w(E)$	42	#5	32'-5"	—
$w_1(E)$	42	#5	29'-4"	—
Concrete Superstructure		Cu. Yd.	55.6	
Concrete Structures		Cu. Yd.	19.3	
Reinforcement Bars, Epoxy Coated		Pound	17990	
Porous Granular Embankment (Special)		Cu. Yd.	152	
Geocomposite Wall Drain		Sq. Yd.	70	
Pipe Underdrain for Structures, 4"		Feet	72	
Temporary Soil Retention System		Sq. Ft.	70	
Structure Excavation		Cu. Yd.	152	

EAST APPROACH DETAILS  
SN 058-0095

DESIGNED	VHV
CHECKED	DAB
DRAWN	Kyle M. Steffen
CHECKED	VHV DAB

OCTOBER 30, 2009  
EXAMINED *A. Carl Proyer*  
ENGINEER OF STRUCTURAL SERVICES  
PASSED *Ralph E. Anderson*  
ENGINEER OF BRIDGES AND STRUCTURES

SHEET NO. 20 21 SHEETS	F.A.I. RTE.	SECTION	COUNTY	TOTAL SHEETS	SHEET NO.
	72	66(B,HVB,HB-1)BR	MACON	83	64
FED. ROAD DIST. NO.			ILLINOIS	FED. AID PROJECT	
CONTRACT NO. 74343					