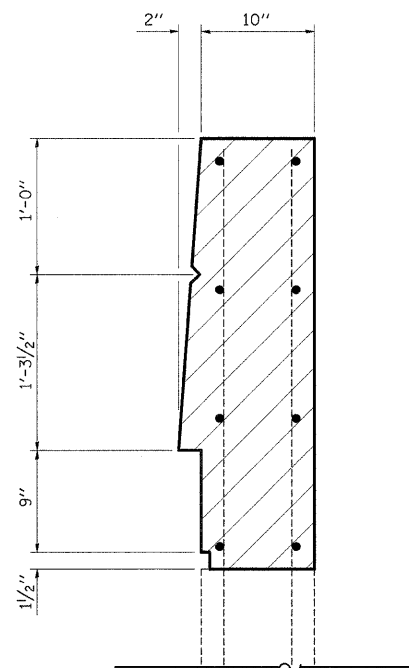
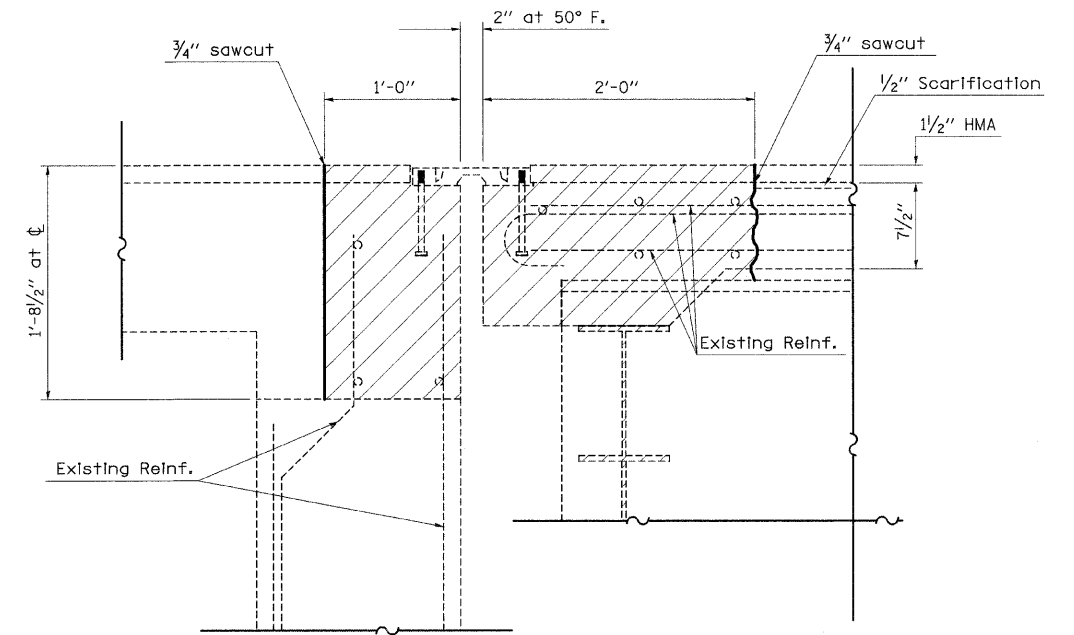


**SECTION THRU PARAPET**

Note: Rotate d6(E) and d7(E) bars in parapet to fit horizontal legs in concrete pour.



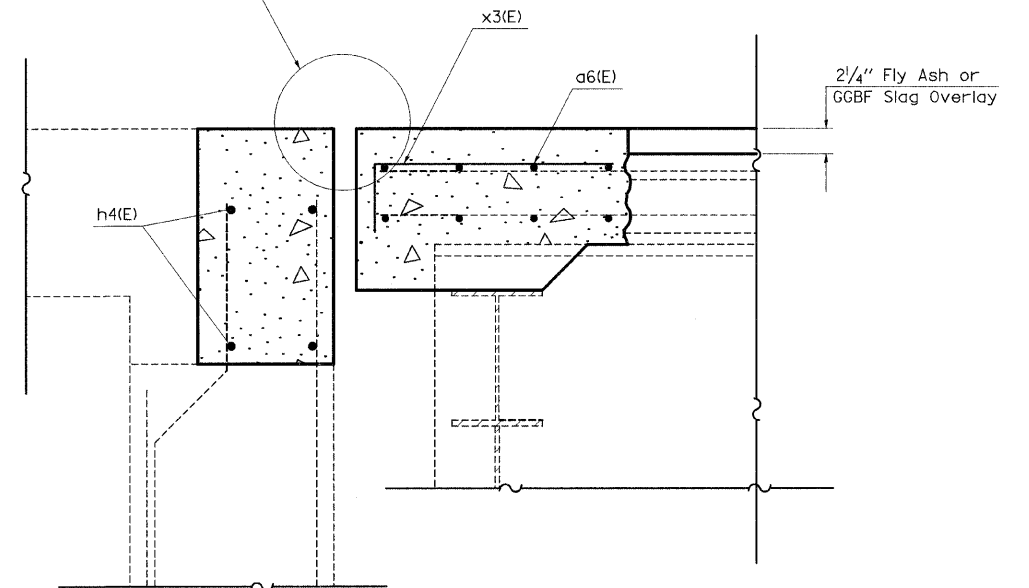
**SECTION THRU WINGWALL**



**SECTION A-A**  
(Dimensions at RT L's to end of deck)

For details of expansion joint See sheet 51 of 52

- Existing Reinforcement
- Proposed Reinforcement



**SECTION B-B**  
(Dimensions at RT L's to end of deck)

FILE NAME =	USER NAME = swartzrw	DESIGNED -	REVISED -	<b>STATE OF ILLINOIS DEPARTMENT OF TRANSPORTATION</b>	<b>RAIL SUPPORT ANCHOR DETAILS</b>		F.A.I. RTE.	SECTION	COUNTY	TOTAL SHEETS	SHEET NO.
c:\pw\work\PWIDOT\SWARTZRW\dms37779\k...enbridge.dgn		DRAWN -	REVISED -				72	66(B,HVB,HB-1)BR	MACON	83	70
PLOT SCALE = 20.0000' / IN.		CHECKED -	REVISED -				CONTRACT NO. 74343				
PLOT DATE = 9/28/2009		DATE -	REVISED -				FED. ROAD DIST. NO. ILLINOIS FED. AID PROJECT				
				SCALE: N/A	SHEET NO. 5 OF 17 SHEETS	STA. TO STA.					