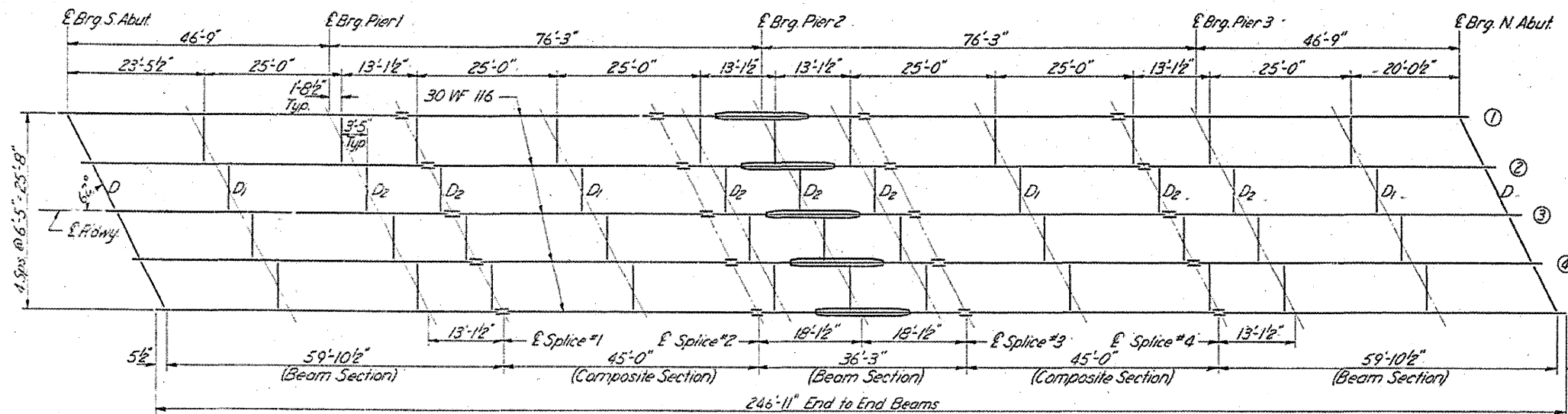
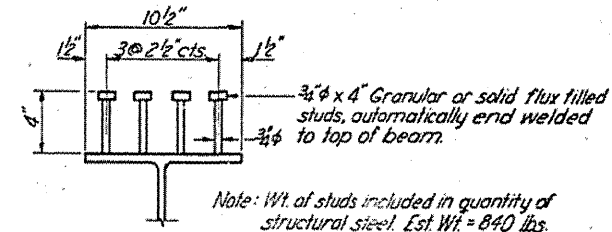


STATE OF ILLINOIS  
DEPARTMENT OF PUBLIC WORKS & BUILDINGS  
DIVISION OF HIGHWAYS

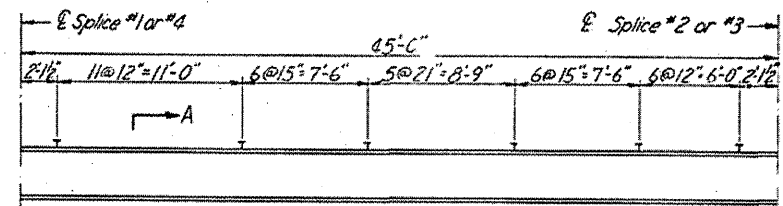
ROUTE NO.	SECTION	COUNTY	TOTAL SHEETS	SHEET NO.
74401	129	CUMBERLAND	10	10



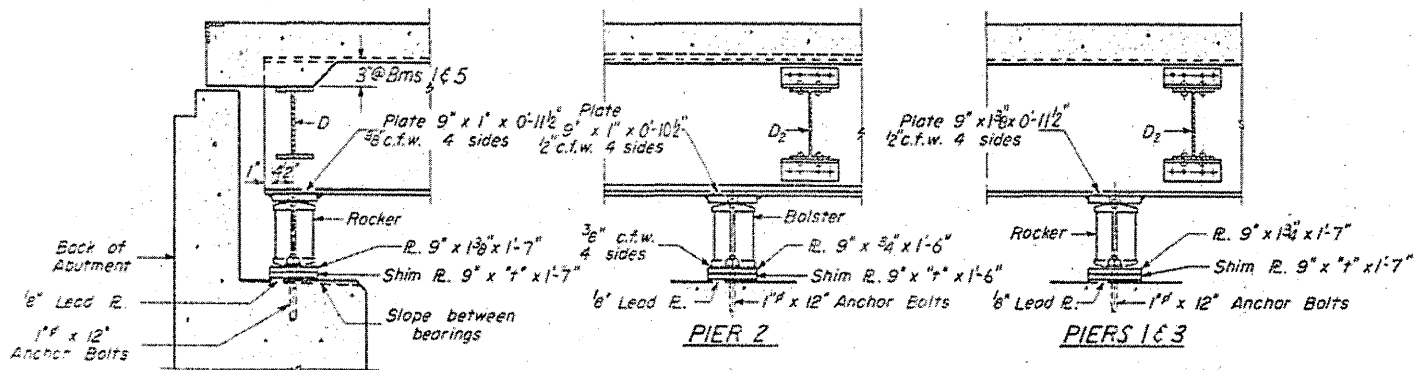
STEEL FRAMING PLAN



SECTION A-A



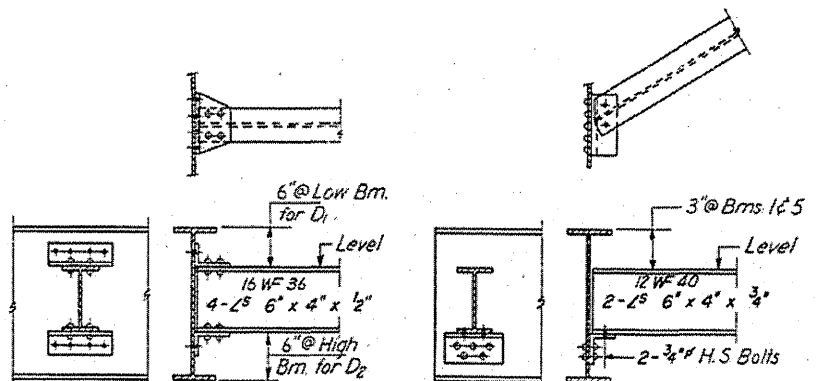
SPACING OF SHEAR CONNECTORS



SECTION AT ABUTMENT

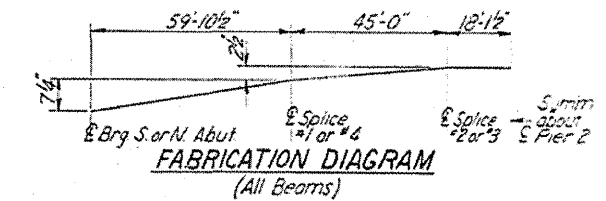
PIER 2

PIERS 1 & 3



DIAPHRAGM D1 & D2

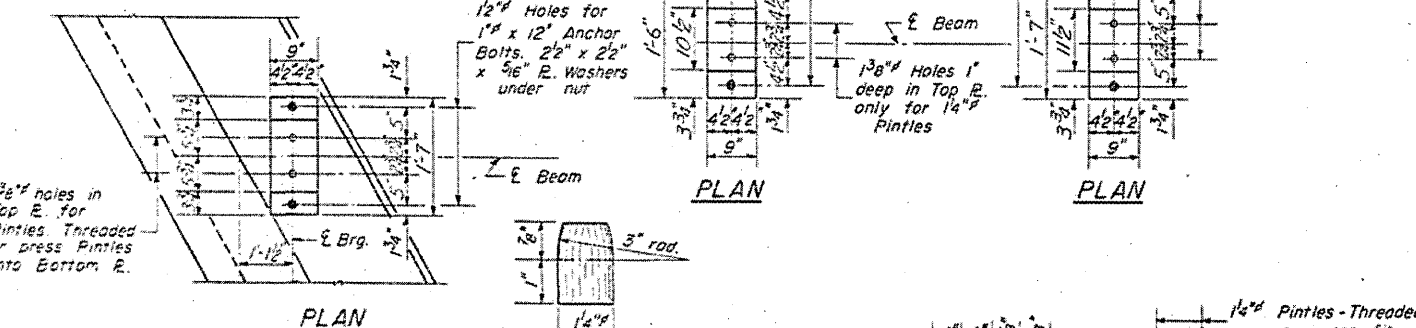
DIAPHRAGM D



FABRICATION DIAGRAM (All Beams)

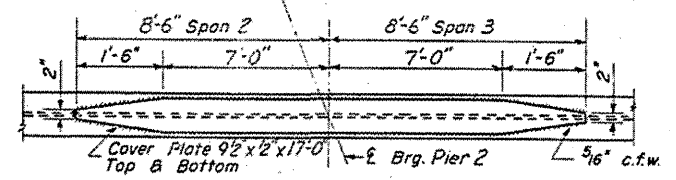
ELEVATION TOP OF WF (For Fabrication Only)

Beam No.	E Brg. S. or N. Abut.	E Brg. Pier 1 or 3	E Splice #1 or #4	E Splice #2 or #3	E Brg. Pier 2
1C5	675.28	675.75	675.88	676.09	676.09
2C4	675.42	675.89	676.02	676.23	676.23
3	675.50	675.97	676.10	676.31	676.31

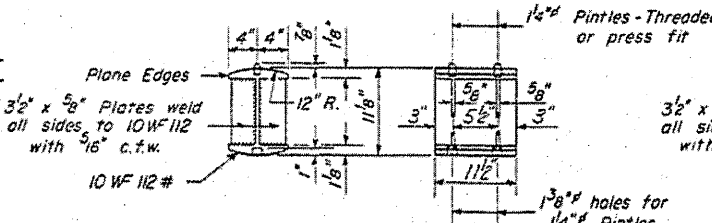


PLAN

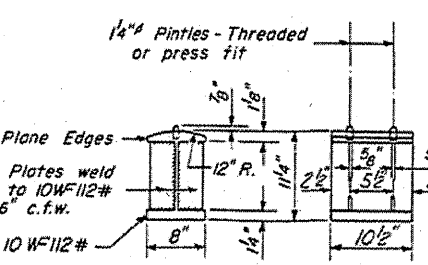
DETAIL OF PINTLE



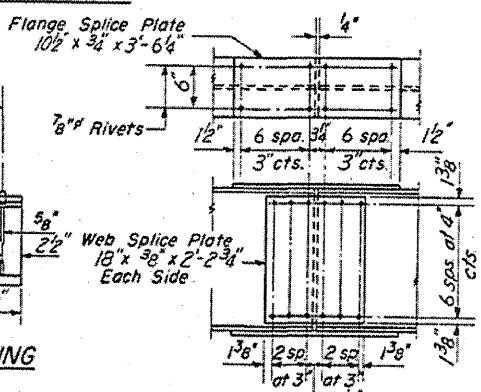
DETAIL OF COVER PLATES



DETAIL OF BEARING AT PIERS 1, 3 & ABUTS.



DETAIL OF BEARING AT PIER 2



DETAIL OF SPLICE

TABLE OF 'I' DIMENSIONS

Beam No.	1	2	3	4	5
'I'	0	0	1	0	0

STRUCTURAL STEEL  
F.A.I.R.T. 57 SEC. 18-1HB-2  
CUMBERLAND COUNTY  
STA. 5934 +05.73

DESIGNED: T. M. Young  
CHECKED: L. Worless, P.G.B.  
DRAWN: W. R. Sausman  
APPROVED: R. L. Bantel  
APRIL 17 1962

LOCATION 2