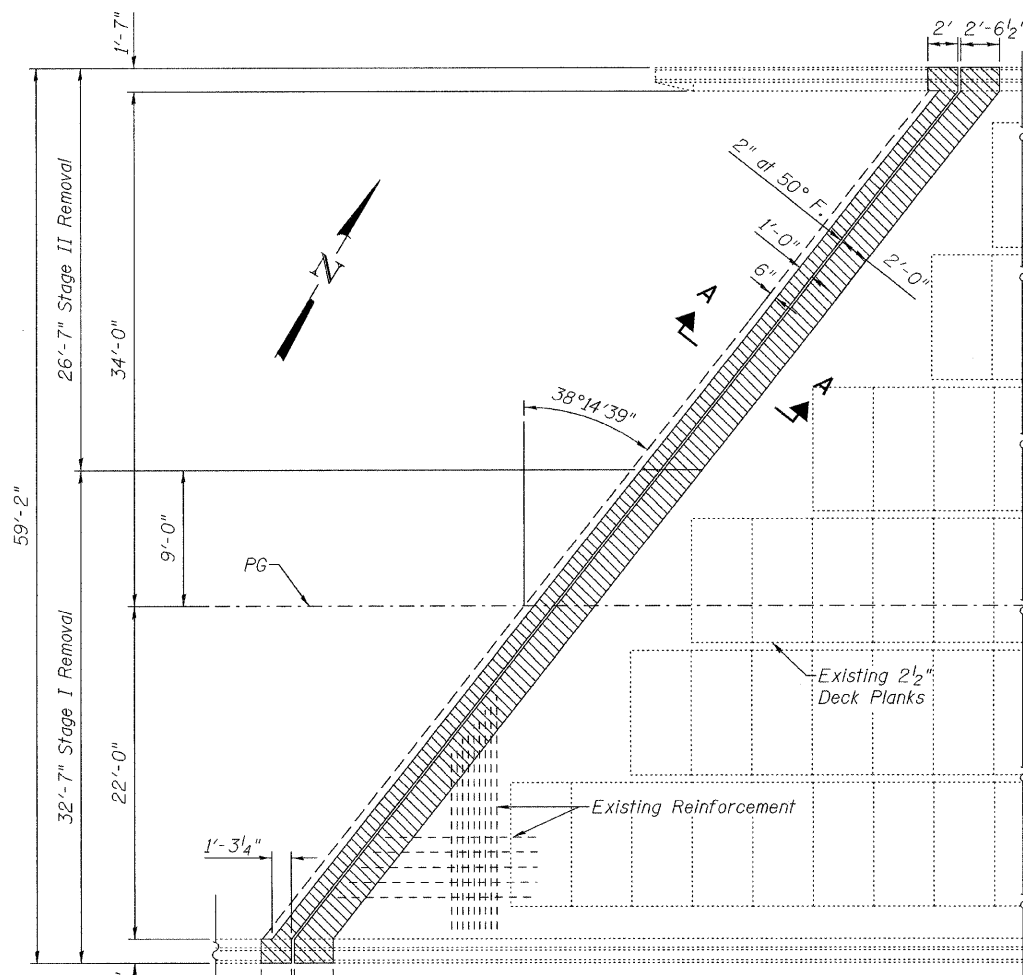
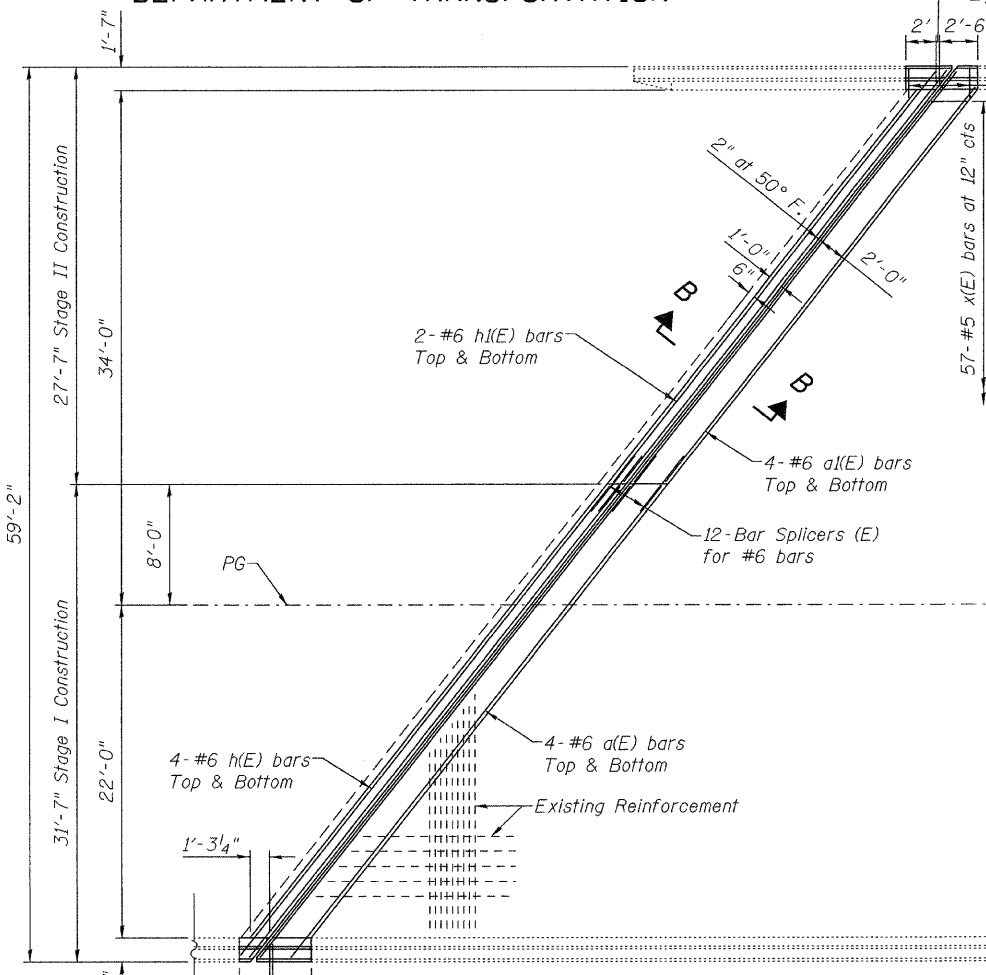


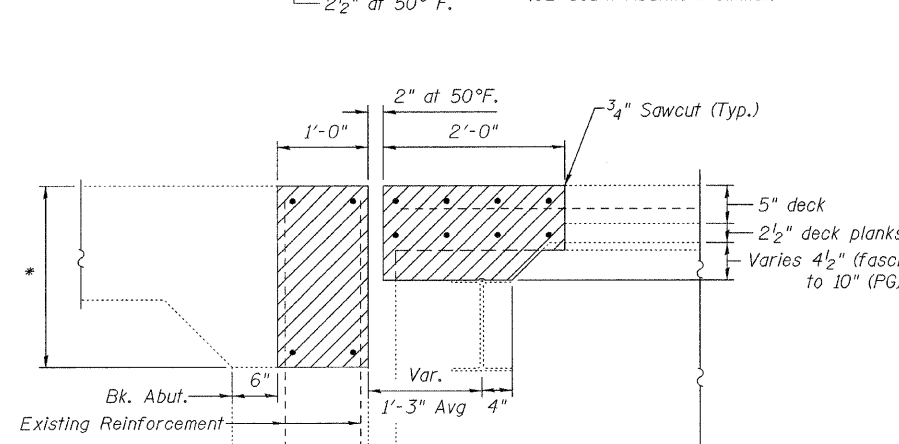
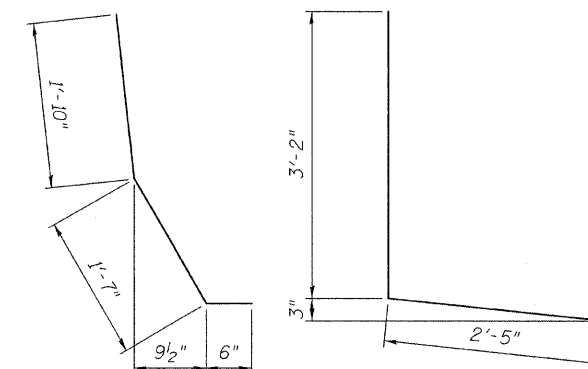
STATE OF ILLINOIS
DEPARTMENT OF TRANSPORTATION



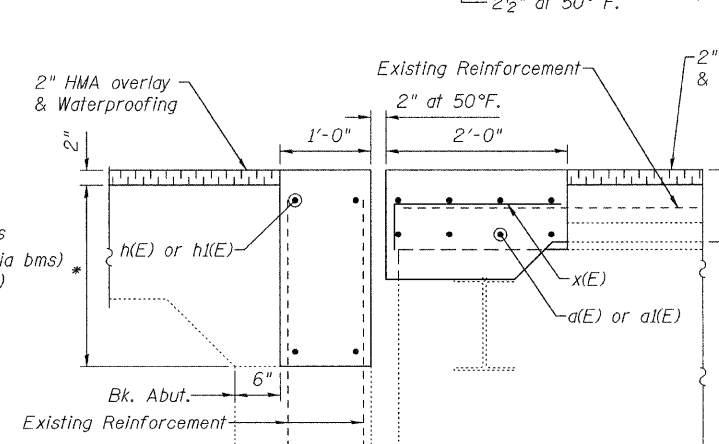
CONCRETE REMOVAL
(NB South Abutment shown)
(SB South Abutment similar)



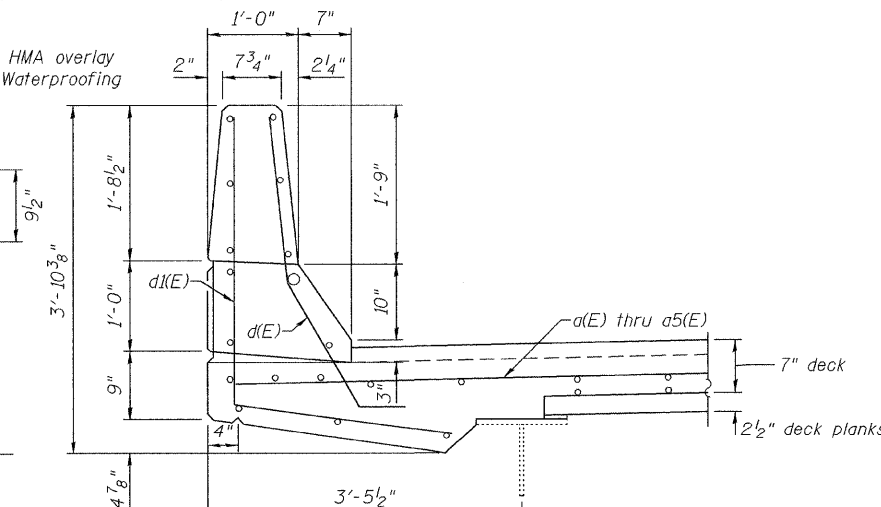
CONCRETE REPLACEMENT
(NB South Abutment shown)
(SB South Abutment similar)



SECTION A-A



SECTION B-B



SECTION THRU PARAPET
(at Abutments)

**BOTH SOUTH ABUTMENTS
BILL OF MATERIAL**

Bar	No.	Size	Length	Shape
a(E)	16	#6	39'-8"	—
a1(E)	16	#6	34'-7"	—
d(E)	20	#4	4'-7"	L
d1(E)	20	#5	3'-3"	L
h(E)	8	#6	39'-8"	—
h1(E)	8	#6	34'-8"	—
x(E)	114	#5	2'-10"	U
Reinforcement Bars, Epoxy Coated			Pound	3140
Concrete Superstructure			Cu. Yds.	24.5
Concrete Removal			Cu. Yds.	23.6
Preformed Strip Seal			Foot	146.5

Bars indicated thus 4x2 - #5 etc. indicates 4 line of bars with 2 lengths per line.

**SOUTH ABUTMENT
CONCRETE REMOVAL & REPLACEMENT
082-0247 & 0248**

DESIGNED	J. Uehle
CHECKED	A. Hallway
DRAWN	J. Uehle
CHECKED	A. Hallway

NOVEMBER 5, 2009	
EXAMINED	<i>A. Carl Poyser</i>
ENGINEER OF STRUCTURAL SERVICES	
PASSED	<i>Ralph E. Anderson</i>
ENGINEER OF BRIDGES AND STRUCTURES	

* SB Varies 1'-0 1/8" (median gutter) to 2'-1 7/8" (PG) to 2'-1 3/4" (outside gutter)
NB Varies 1'-5 5/8" (median gutter) to 1'-8 3/8" (PG) to 11 7/8" (outside gutter)

SHEET NO. 3 20 SHEETS	F.A.I RTE.	SECTION	COUNTY	TOTAL SHEETS	SHEET NO.
	255	82-1HVB-I-1	ST. CLAIR	45	28
FED. ROAD DIST. NO.			ILLINOIS FED. AID PROJECT		
			CONTRACT NO. 76926		