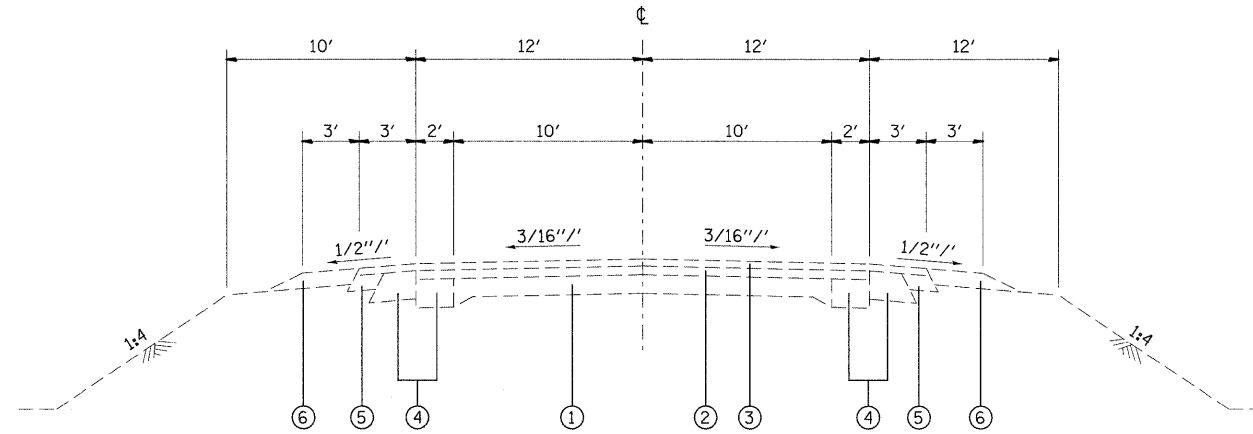


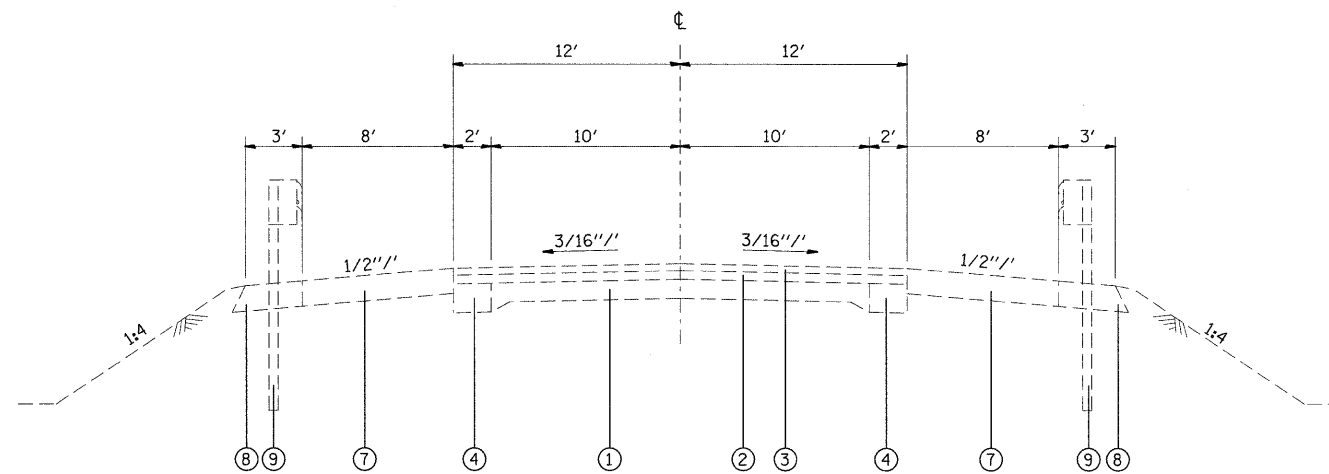
TYPICAL SECTIONS LOOKING SOUTH ALONG US 51.



TANGENT SECTION

STA. 684+70 TO STA. 687+19.35
 STA. 688+54.45 TO STA. 691+05

- LEGEND**
- ① EXISTING PCC PAVEMENT - 9"-6"-6"-9"
 - ② EXISTING HMA RESURFACING - VAR 2 1/4" TO 2.5"
 - ③ EXISTING HMA RESURFACING - VAR 2" TO 2 1/4"
 - ④ EXISTING BASE COURSE WIDENING - 9"
 - ⑤ EXISTING LEVELING BINDER - 8"
 - ⑥ EXISTING AGGREGATE SHOULDER, TYPE B
 - ⑦ EXISTING HMA SHOULDERS - 8"
 - ⑧ EXISTING HMA SHOULDER STABILIZATION - 6"
 - ⑨ EXISTING GUARDRAIL
 - ⑩ PROPOSED HMA SHOULDER REMOVAL
 - ⑪ PROPOSED HMA BINDER COURSE- VAR 1 1/4" TO 5 5/8"
 - ⑫ PROPOSED HMA SURFACE COURSE - 1 1/2"
 - ⑬ PROPOSED HMA SHOULDERS - 10 3/4"
 - ⑭ PROPOSED HMA SHOULDERS - VAR 0" TO 6 7/8"
 - ⑮ PROPOSED GUARDRAIL



STABILIZED SHOULDERS

STA. 685+37.3 TO STA. 687+19.35
 STA. 688+54.45 TO STA. 691+00.3

GUARDRAIL

STA. 685+68.0 TO STA. 687+19.35
 STA. 688+54.45 TO STA. 690+68.7

STABILIZED SHOULDERS

STA. 684+70.5 TO STA. 687+19.35
 STA. 688+54.45 TO STA. 690+51.9

GUARDRAIL

STA. 685+05.1 TO STA. 687+19.35
 STA. 688+54.45 TO STA. 690+05.9

FILE NAME = c:\pwork\pwork\dot\harbaugh\rdms52335\p	USER NAME = harbaughrd	DESIGNED -	REVISED -	STATE OF ILLINOIS DEPARTMENT OF TRANSPORTATION	EXISTING TYPICAL SECTIONS				F.A.P. RTE.	SECTION	COUNTY	TOTAL SHEETS	SHEET NO.
	n07006a.dgn	DRAWN -	REVISED -		322	25BR-1	MARION	63	5				
PLOT SCALE = 50.0000' / INL	CHECKED -	REVISED -	REVISED -	SCALE:	SHEET NO. 1 OF 2 SHEETS	STA.	TO STA.	ILLINOIS FED. AID PROJECT					
PLOT DATE = 11/30/2009	DATE -	REVISED -	REVISED -	CONTRACT NO. 76A83									