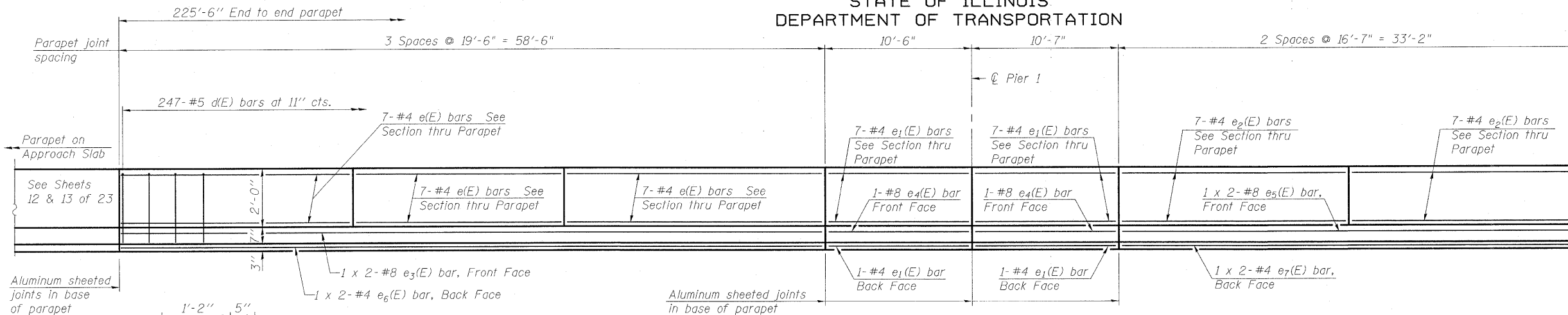


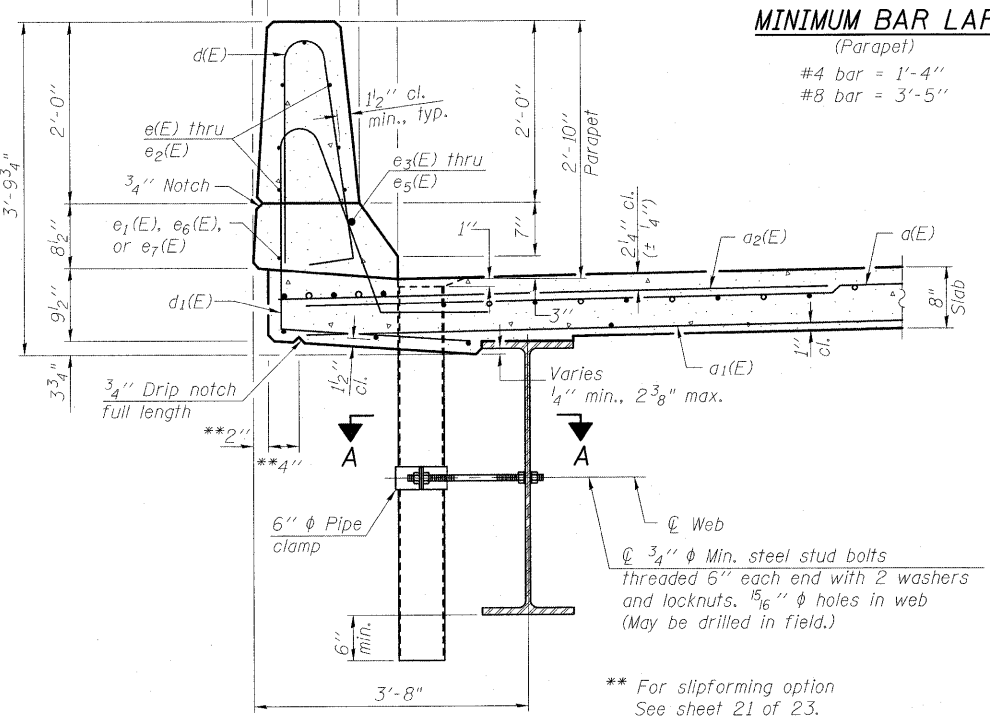
STATE OF ILLINOIS  
DEPARTMENT OF TRANSPORTATION



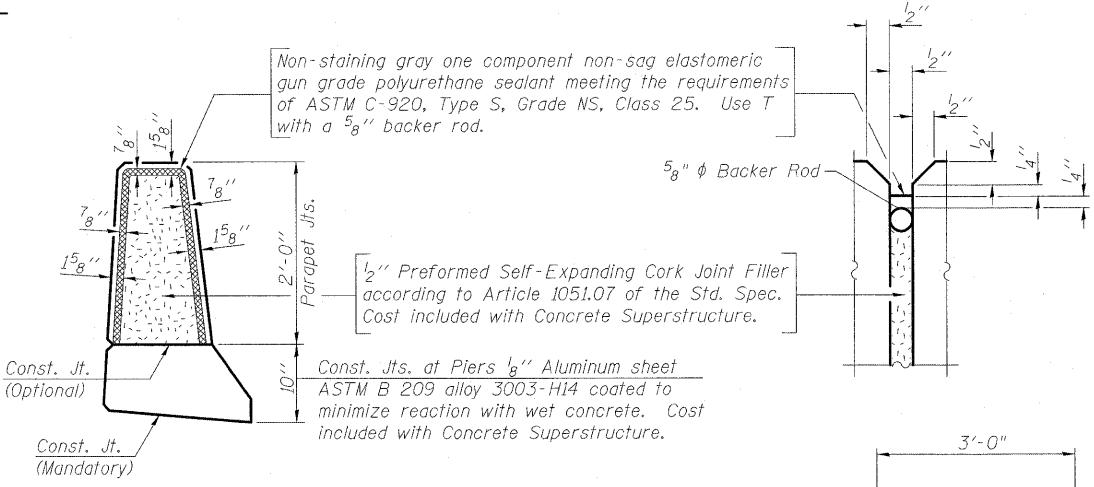
INSIDE ELEVATION OF PARAPET

SUPERSTRUCTURE  
BILL OF MATERIAL

Bar	No.	Size	Length	Shape	
a(E)	904	#5	21'-2"	—	
a <sub>1</sub> (E)	544	#5	20'-10"	—	
a <sub>2</sub> (E)	904	#6	6'-0"	—	
b(E)	276	#5	38'-11"	—	
b <sub>1</sub> (E)	84	#6	42'-7"	—	
b <sub>2</sub> (E)	252	#5	33'-8"	—	
d(E)	494	#5	5'-7"	⌋	
d <sub>1</sub> (E)	494	#5	8'-3"	⌋	
e(E)	84	#4	19'-3"	—	
e <sub>1</sub> (E)	64	#4	10'-3"	—	
e <sub>2</sub> (E)	56	#4	16'-4"	—	
e <sub>3</sub> (E)	8	#8	30'-10"	—	
e <sub>4</sub> (E)	8	#8	10'-3"	—	
e <sub>5</sub> (E)	4	#8	34'-9"	—	
e <sub>6</sub> (E)	8	#4	29'-10"	—	
e <sub>7</sub> (E)	4	#4	33'-9"	—	
m(E)	24	#6	21'-4"	—	
m <sub>1</sub> (E)	36	#6	9'-0"	—	
m <sub>2</sub> (E)	8	#6	6'-11"	—	
m <sub>3</sub> (E)	8	#6	3'-4"	—	
s(E)	84	#5	6'-11"	⌋	
s <sub>1</sub> (E)	80	#4	9'-10"	⌋	
v(E)	92	#5	3'-4"	⌋	
Reinforcement Bars, Epoxy Coated				Pound	78,940
Concrete Superstructure				Cu. Yds.	342.9
Bar Splicers				Each	824

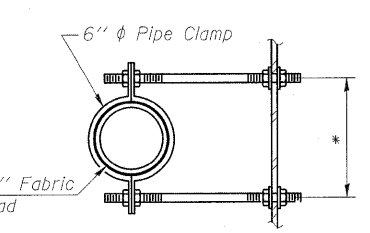


SECTION THRU PARAPET



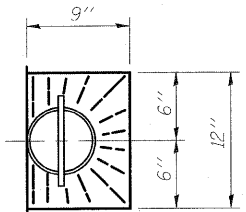
PARAPET JOINT DETAILS

Notes:  
The exterior surfaces of the floor drains shall be painted with the finish coat as specified in the special provisions for Cleaning and Painting New Metal Structures. The exterior surfaces of the drains shall be cleaned according to Society of Protective Coatings Spec. SSPC-SP1 prior to painting.  
Fiberglass pipe shall conform to ASTM D 2996, with short-time rupture strength hoop tensile stress of 30,000 p.s.i. minimum.  
Bars indicated thus 1 x 2-#8 etc. indicates 1 line of bars with 2 lengths per line.  
Drains shall be located clear of all diaphragms.

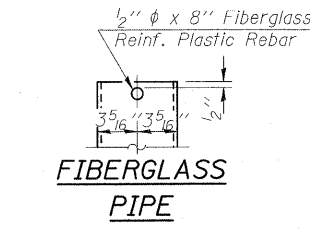


SECTION A-A

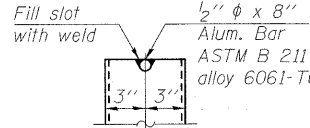
\*Dimension as required by Pipe Clamp



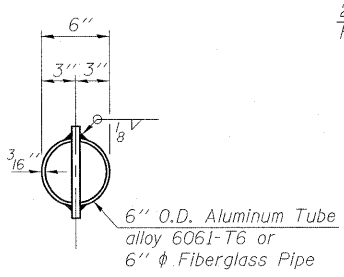
TOP PLAN



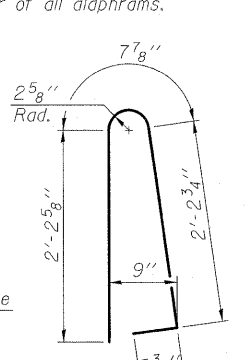
FIBERGLASS PIPE



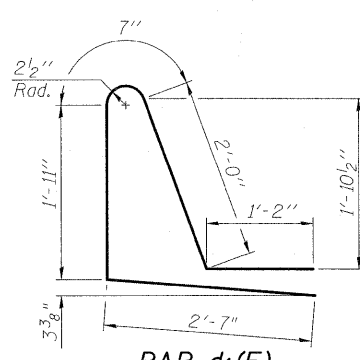
ALUMINUM TUBE



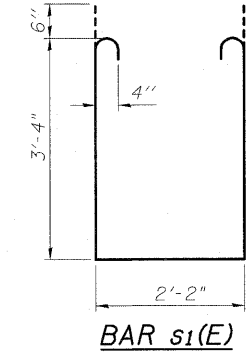
TOP PLAN (Showing Aluminum Tube)



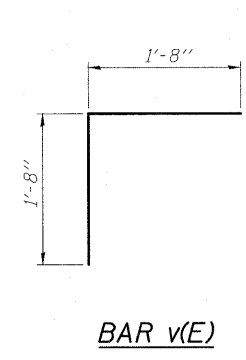
BAR d(E)



BAR d<sub>1</sub>(E)



BAR s<sub>1</sub>(E)



BAR v(E)

SUPERSTRUCTURE DETAILS  
STRUCTURE NUMBER 061-0094

DESIGNED	B.B.
CHECKED	C.J.F.
DRAWN	W.J.S.
CHECKED	C.J.F. & B.B.

BERNARDIN  
LOCHMUELLER &  
ASSOCIATES, INC.

8 Oak Drive  
Maryville, IL 62442-6635  
Local (618) 288-4655  
Fax 618-288-4666

SHEET NO. 11 23 SHEETS	F.A.P. RTE. 322	SECTION 25BR-1	COUNTY MARION	TOTAL SHEETS 63	SHEET NO. 34
	SN 061-0094		CONTRACT NO. 76A83		
FED. ROAD DIST. NO. 8 ILLINOIS FED. AID PROJECT 322					

10/25/25 PM 01/30/2009 10:00:00 061-0094-76A83-01.dgn