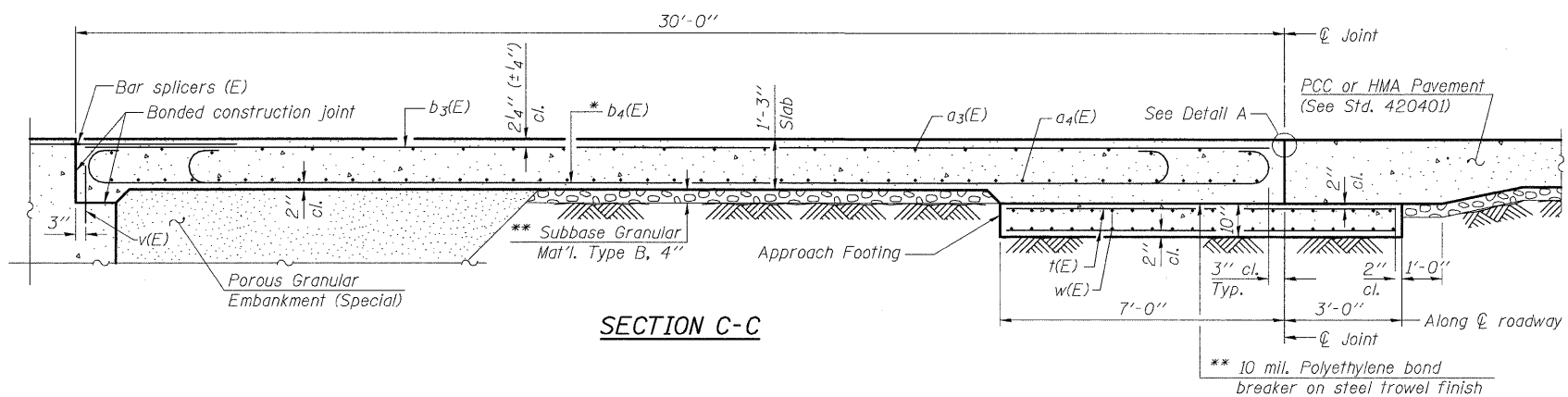
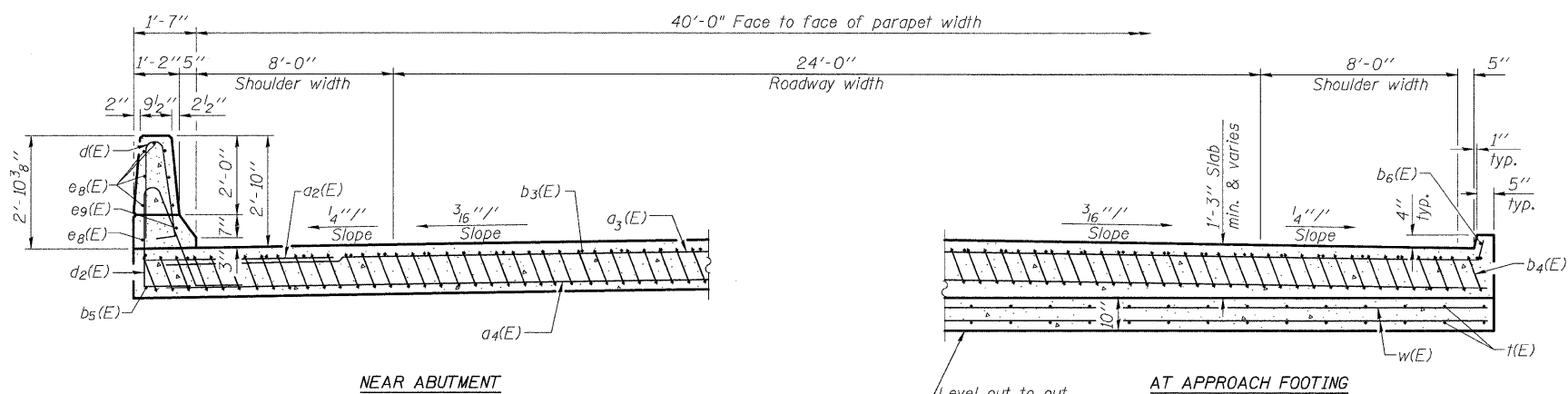


STATE OF ILLINOIS
DEPARTMENT OF TRANSPORTATION

Notes:
See sheet 12 of 23 for Detail A.
Approach slab and parapet concrete shall be paid for as Concrete Superstructure.
Approach footing concrete shall be paid for as Concrete Structures.
Reinforcement shall be paid for as Reinforcement Bars, Epoxy Coated.
For v(E) bar details, see sheet 11 of 23.
The approach footing maximum applied service bearing pressure (Qmax) = 2.0 ksf.
For bar splicer details, see sheet 19 of 23.
Cost of excavation for approach footing included with Concrete Structures.
For Porous Granular Embankment (Special) and drainage treatment details, see sheet 2 of 23.



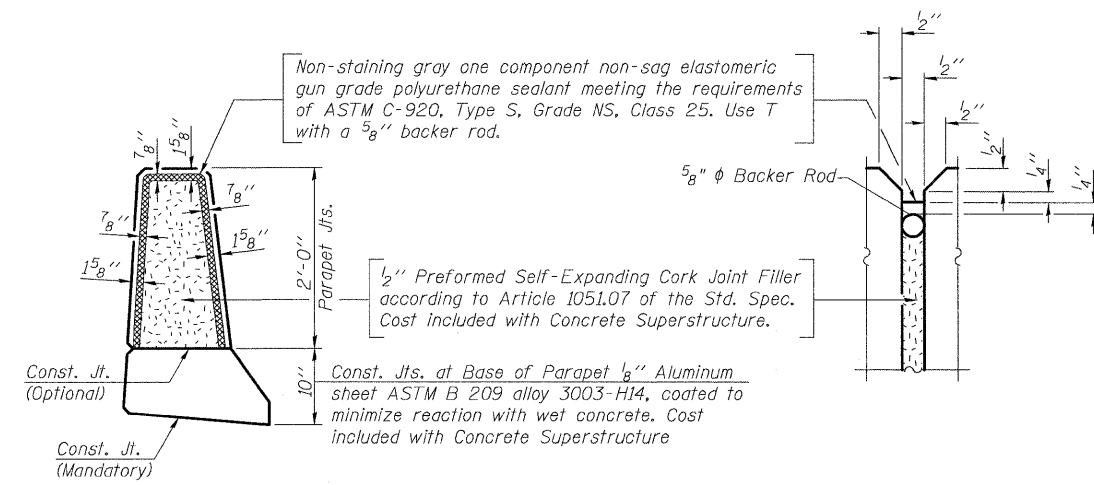
SECTION C-C



NEAR ABUTMENT

SECTION D-D

(See Plan for dimensions not shown)



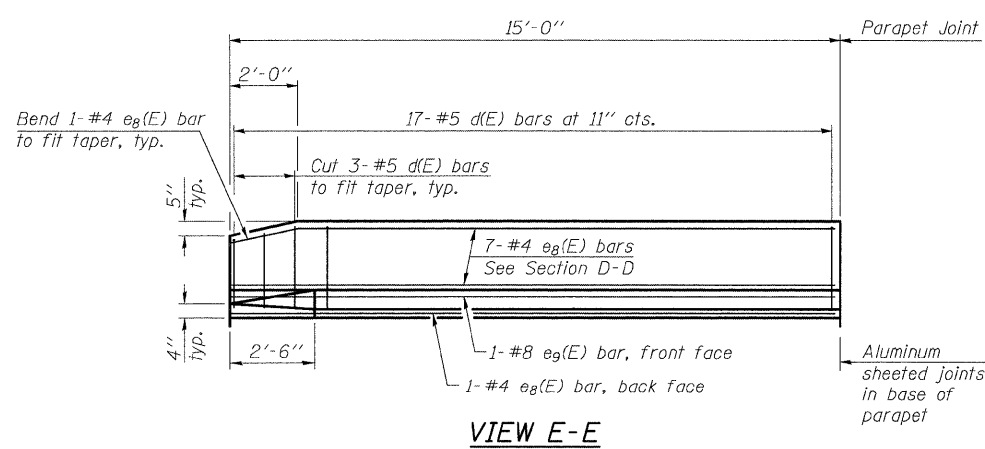
PARAPET JOINT DETAILS

TWO APPROACHES
BILL OF MATERIAL

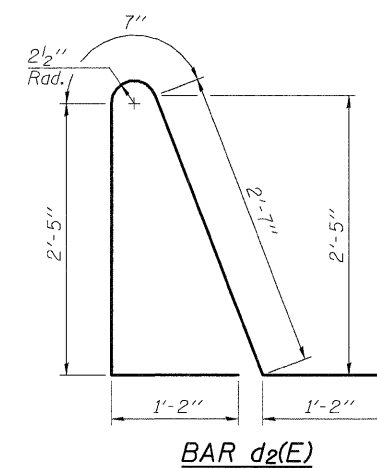
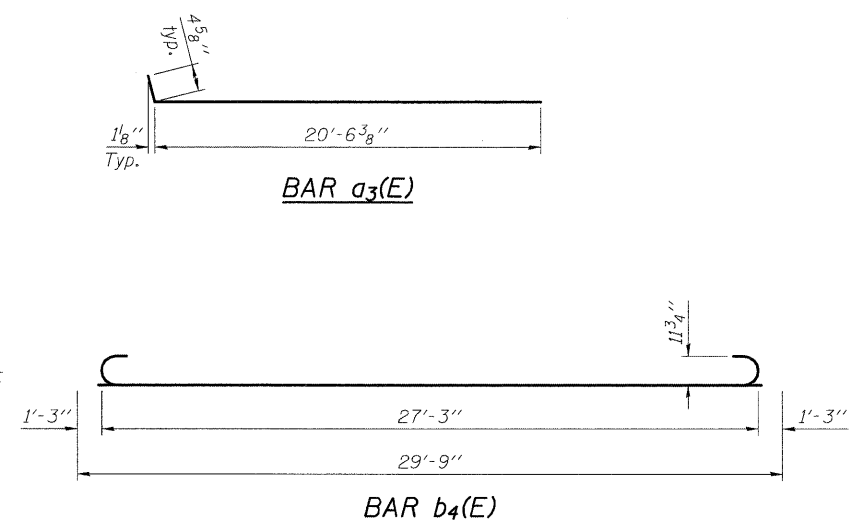
Bar	No.	Size	Length	Shape
a2(E)	48	#6	6'-0"	—
a3(E)	100	#4	20'-11"	—
a4(E)	184	#5	20'-8"	—
b3(E)	68	#4	29'-8"	—
b4(E)	200	#9	29'-9"	—
b5(E)	4	#4	14'-8"	—
b6(E)	4	#4	14'-9"	—
d(E)	68	#5	5'-7"	—
d2(E)	68	#5	7'-11"	—
e8(E)	32	#4	14'-8"	—
e9(E)	4	#8	14'-8"	—
t(E)	168	#4	9'-8"	—
w(E)	160	#5	20'-8"	—
Concrete Superstructure		Cu. Yd.	128.1	
Concrete Structures		Cu. Yd.	25.8	
Reinforcement Bars, Epoxy Coated		Pound	33,420	
Bar Splicers		Each	222	

For additional bar bends see sheet 11 of 23.

* Tilt #9 b4(E) bars as required to maintain clearance.
** Cost included with Concrete Superstructure.



VIEW E-E



DESIGNED	B.B.
CHECKED	C.J.F.
DRAWN	W.J.S.
CHECKED	C.J.F. & B.B.

BRIDGE APPROACH SLAB DETAILS
STRUCTURE NUMBER 061-0094

SHEET NO. 13 23 SHEETS	F.A.P. RTE.	SECTION	COUNTY	TOTAL SHEETS	SHEET NO.
	322	25BR-1	MARION	63	36
	SN 061-0094		CONTRACT NO. 76A83		
FED. ROAD DIST. NO. 8 ILLINOIS FED. AID PROJECT 322					

**BERNARDIN
LOCHMUELLER &
ASSOCIATES, INC.**

3 Oak Drive
Mareville, IL 62963-5635
Local (618) 258-4666
Fax 618-258-4666