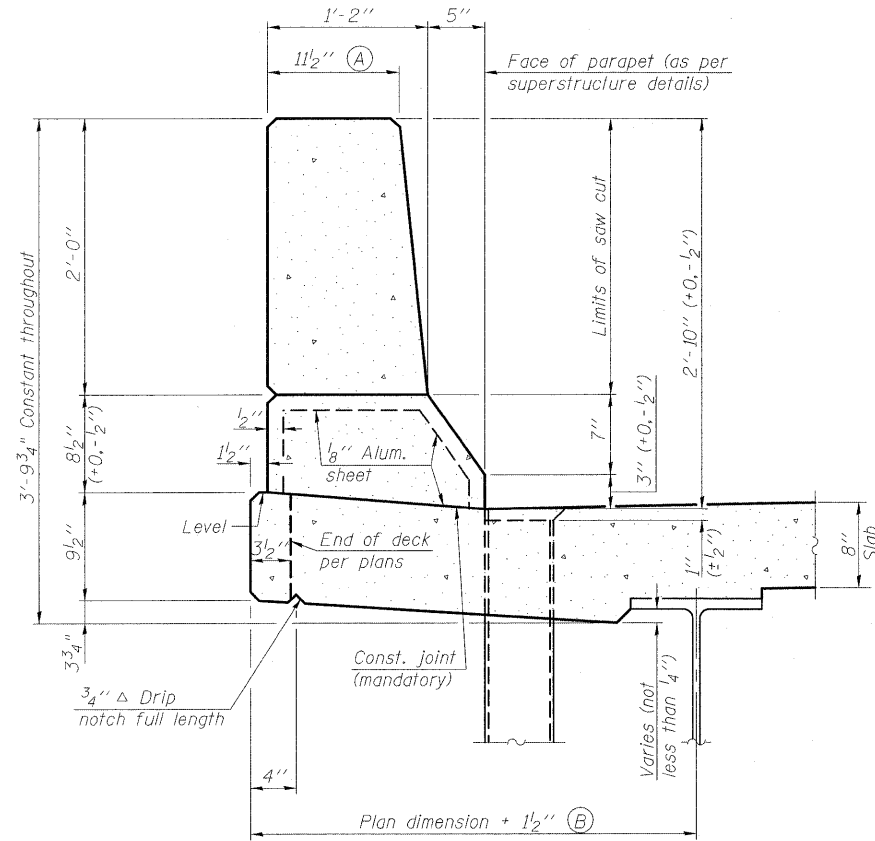
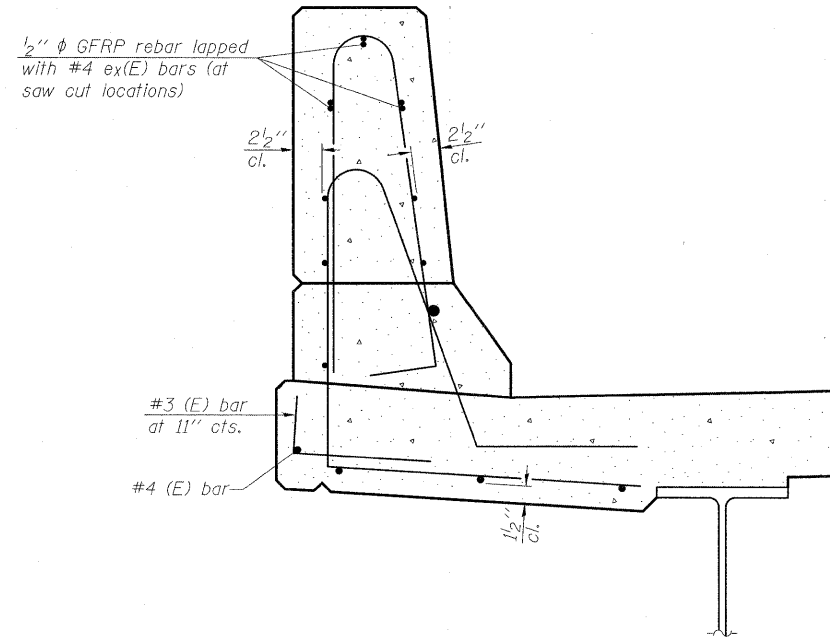


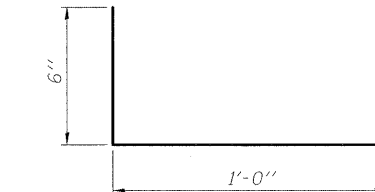
STATE OF ILLINOIS
DEPARTMENT OF TRANSPORTATION



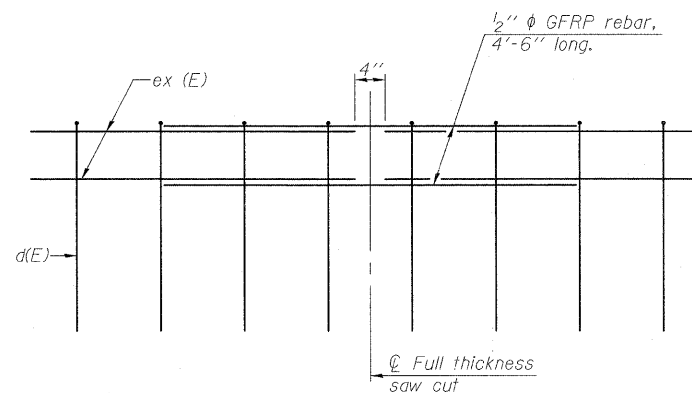
SECTION
(Showing dimensions)



SECTION
(Showing reinforcement clearances for slip forming and additional reinforcement bars)



#3 (E) BAR



GFRP REBAR STIFFENING DETAIL

(Place as shown in parapet section at each parapet joint location.)

GENERAL NOTES

All dimensions shall remain the same as shown on contract plans, except dimensions A and B which are to be revised as shown to provide additional clearance. Additional concrete needed to revise dimension A and B= 0.0165 cu. yds./ft. of parapet.
Place aluminum sheet in curb portion at and near piers. Full thickness saw cut at all joint locations in lieu of cork joint filler.

DESIGNED	
CHECKED	
DRAWN	W.J.S.
CHECKED	C.J.F. & B.B.

SFP-34

10-1-08



**BERNARDIN
LOCHMUELLER &
ASSOCIATES, INC.**

3 Oak Drive
Maryville, IL 62962-5635
Local: 618-288-4666
Fax: 618-288-4666

SHEET NO. 21	F.A.P. RTE.	SECTION	COUNTY	TOTAL SHEETS	SHEET NO.
	322	25BR-1	MARION	63	44
23 SHEETS	SN 061-0094		CONTRACT NO. 76A83		
FED. ROAD DIST. NO. 8 ILLINOIS FED. AID PROJECT 322					