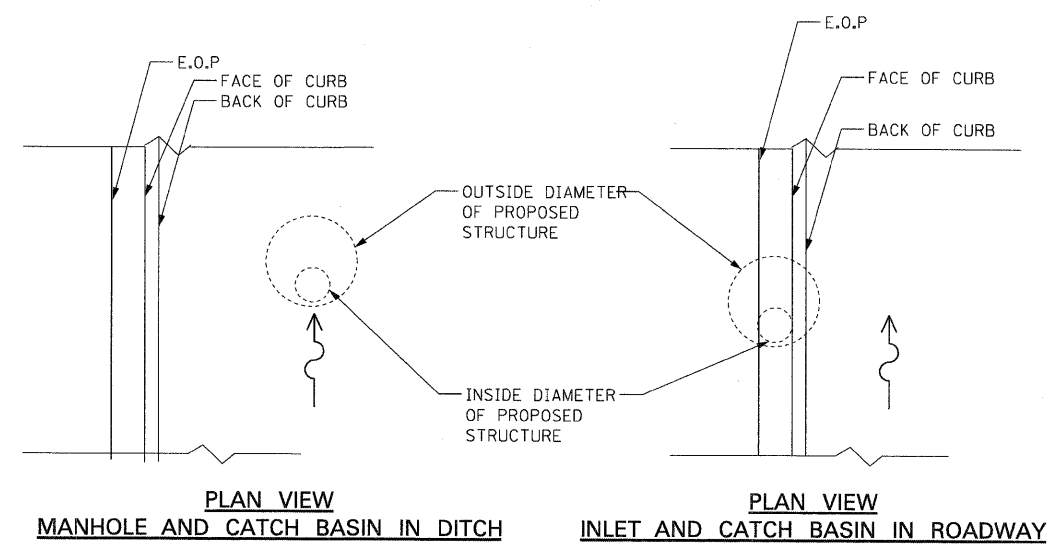


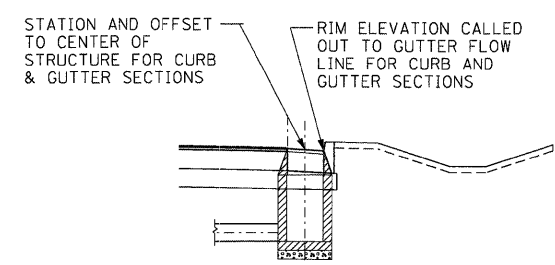
SEWER PLUG

NOTE:
 1. THIS WORK SHALL BE CONSIDERED AS INCLUDED IN THE CONTRACT UNIT PRICE BID FOR THE SEWER REMOVAL ITEMS.

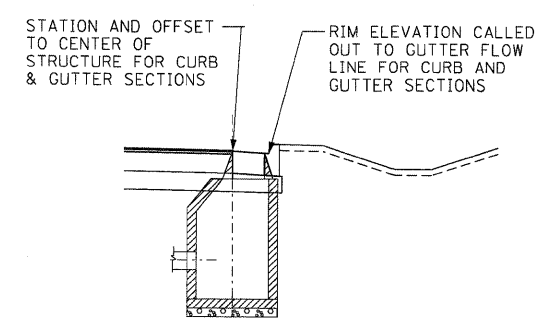


**PLAN VIEW
 MANHOLE AND CATCH BASIN IN DITCH**

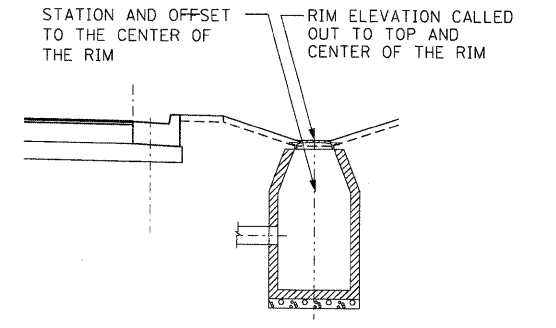
**PLAN VIEW
 INLET AND CATCH BASIN IN ROADWAY**



**ELEVATION
 INLET WITH CURB AND GUTTER**



**ELEVATION
 CATCH BASIN WITH CURB AND GUTTER**



**ELEVATION
 MANHOLE AND CATCH BASIN
 IN DITCH OR SWALE**

..\BDCDNN-03-SPDRDR1.DGN 10-14-2009 16:18:55 BNDNDJUD C:\C:\WORKSPACE\BNDNDJUD\W\F5-2004.D-TRANS-07\2202-22666-00\CVIL\CAD\99 ALL CONTRACTS\CONNSHEETS CONTRACT 03\BDCDNN-03-SHT-DRNAGE2.DGN

FILE NAME =	USER NAME = #USER*	DESIGNED - MMCG	REVISED -	STATE OF ILLINOIS DEPARTMENT OF TRANSPORTATION I-70 CONNECTION	DRAINAGE DETAILS STORM SEWER PLUG DRAINAGE STRUCTURE PLACEMENT			F.A.P. RTE.	SECTION	COUNTY	TOTAL SHEETS	SHEET NO.		
#FILE#		DRAWN - MMCG	REVISED -		SCALE: N.T.S.	SHEET NO.	OF SHEETS	STA.	TO STA.	9153	B2-1K	ST. CLAIR	107	64
PLOT SCALE = #SCALE#		CHECKED - TKL	REVISED -											
PLOT DATE = #DATE#		DATE - 10/09/09	REVISED -											
								FED. ROAD DIST. NO. ILLINOIS FED. AID PROJECT CONTRACT NO. 76C40						

