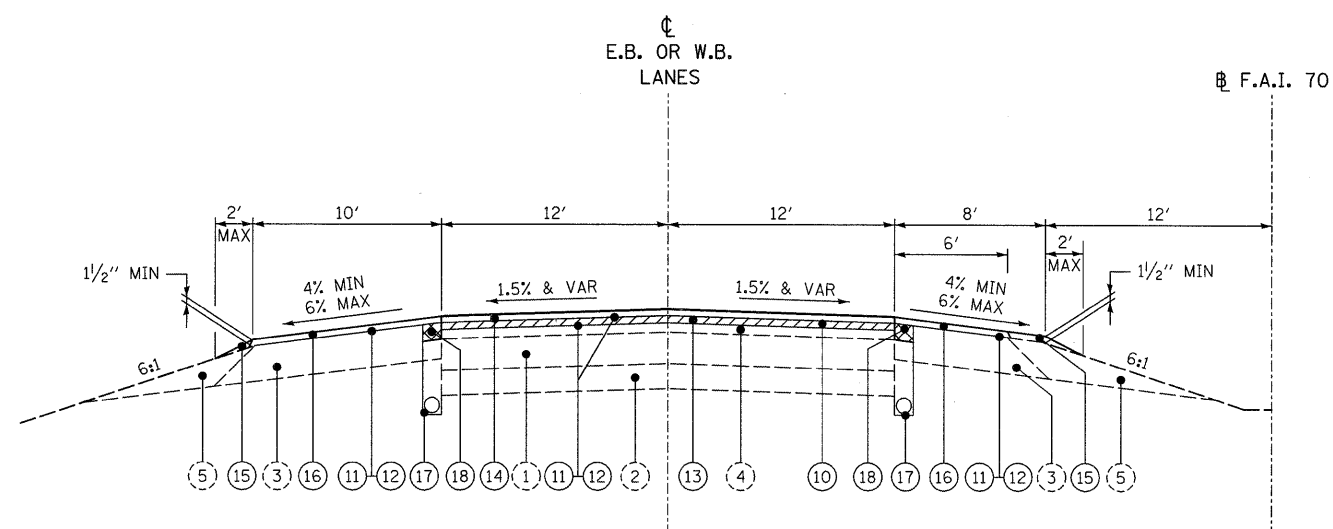
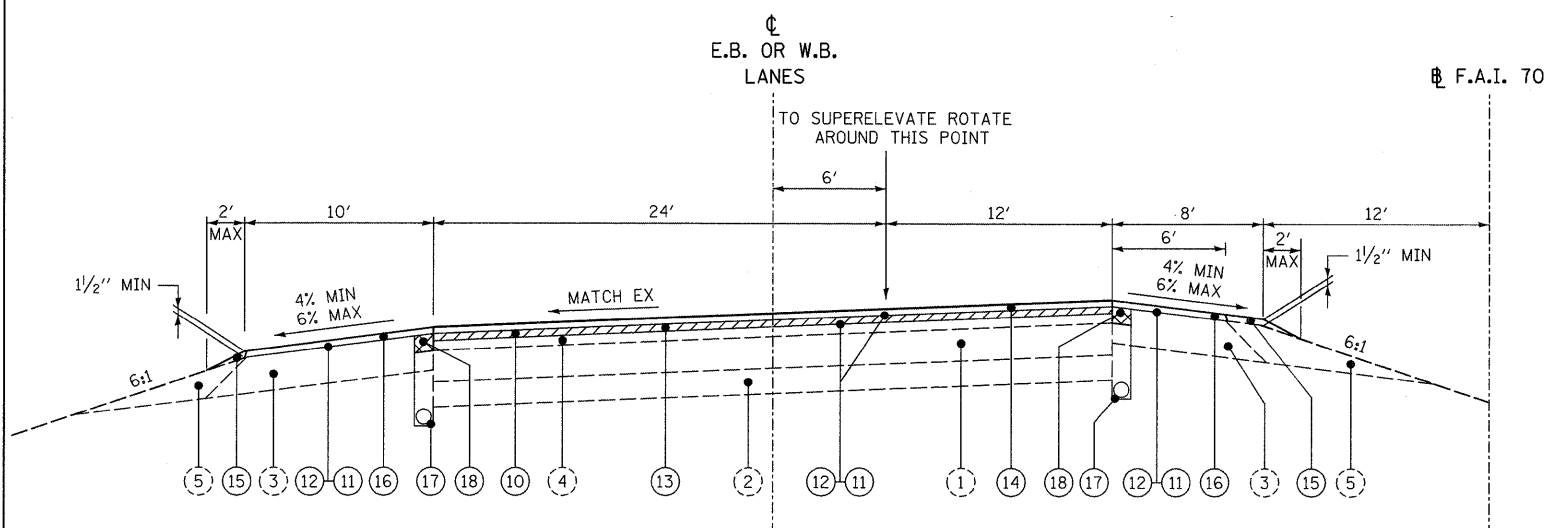


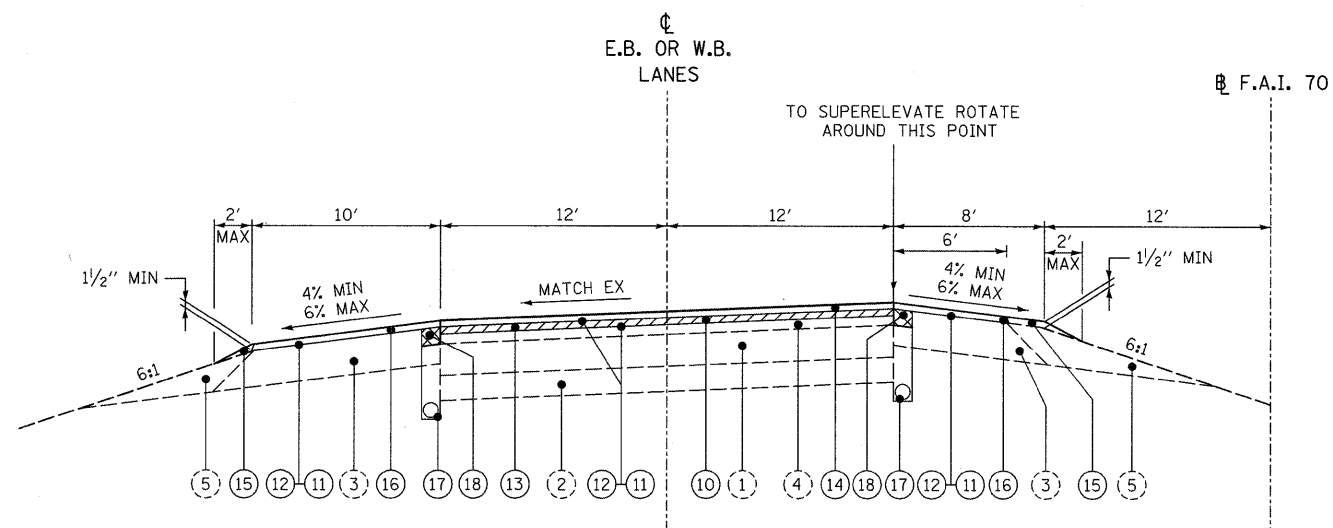
F.A.I. ROUTE 70 TYPICAL SECTION
36' TANGENT PAVEMENT



F.A.I. ROUTE 70 TYPICAL SECTION
24' TANGENT PAVEMENT



F.A.I. ROUTE 70 TYPICAL SECTION
36' SUPERELEVATED PAVEMENT



F.A.I. ROUTE 70 TYPICAL SECTION
24' SUPERELEVATED PAVEMENT

LEGEND

- | | | |
|---|---|--|
| ① EXISTING P.C.C. CONCRETE | ⑩ PROPOSED HOT-MIX ASPHALT SURFACE REMOVAL 2 1/4" (UNLESS NOTED) | ⑰ PROPOSED PIPE UNDERDRAINS, 4" |
| ② EXISTING 8" SUB-BASE GRANULAR MATERIAL TYPE A | ⑪ PROPOSED BITUMINOUS MATERIALS (PRIME COAT) | ⑱ PROPOSED HOT-MIX ASPHALT SURFACE REMOVAL 1" |
| ③ EXISTING HMA SHOULDERS | ⑫ PROPOSED AGGREGATE (PRIME COAT) | ⑳ PROPOSED LEVELING BINDER (MACHINE METHOD), N90, 1" |
| ④ EXISTING HMA SURFACE | ⑬ PROPOSED POLYMERIZED HOT-MIX ASPHALT BINDER COURSE, IL-19.0, N90, 2 1/4" | |
| ⑤ EXISTING AGGREGATE SHOULDERS | ⑭ PROPOSED POLYMERIZED HOT-MIX ASPHALT SURFACE COURSE, STONE MATRIX ASPHALT, N80 2" | |
| ⑥ EXISTING INLAYED ASPHALT SURFACE | ⑮ PROPOSED AGGREGATE SHOULDERS, TYPE B | |
| | ⑯ PROPOSED HOT-MIX ASPHALT SHOULDERS, 2" | |

SEE SPECIAL DETAILS FOR EROSION CONTROL CURB AND HOT-MIX ASPHALT TAPER AT CABLE MEDIAN BARRIER DETAILS

LAST SAVED = 9/11/2009
PEN TABLE = V8.tbl
PLOT DRIVER = TR-Xerox6204-10r-Fileplot

FILE NAME =	USER NAME = sdonahue	DESIGNED -	REVISED -
1:\08090\work_order_3\oad\plans\087656-Sht-Typical.dgn		DRAWN -	REVISED -
PLOT SCALE = 5.0002' / IN.		CHECKED -	REVISED -
PLOT DATE = 9/16/2009 8:51:38 PM		DATE -	REVISED -

STATE OF ILLINOIS
DEPARTMENT OF TRANSPORTATION

HORNER & SHIFRIN, INC.
ENGINEERS

TYPICAL SECTIONS
F.A.I. 70 PROPOSED

SCALE: NONE

SHEET NO. 1 OF 3 SHEETS STA. TO STA.

F.A.I. RTE.	SECTION	COUNTY	TOTAL SHEETS	SHEET NO.
70	60-(5,6,7)RS, 60-(6,7)BR	MADISON	185	10
CONTRACT NO. 76C56				
FED. ROAD DIST. NO.		ILLINOIS FED. AID PROJECT		