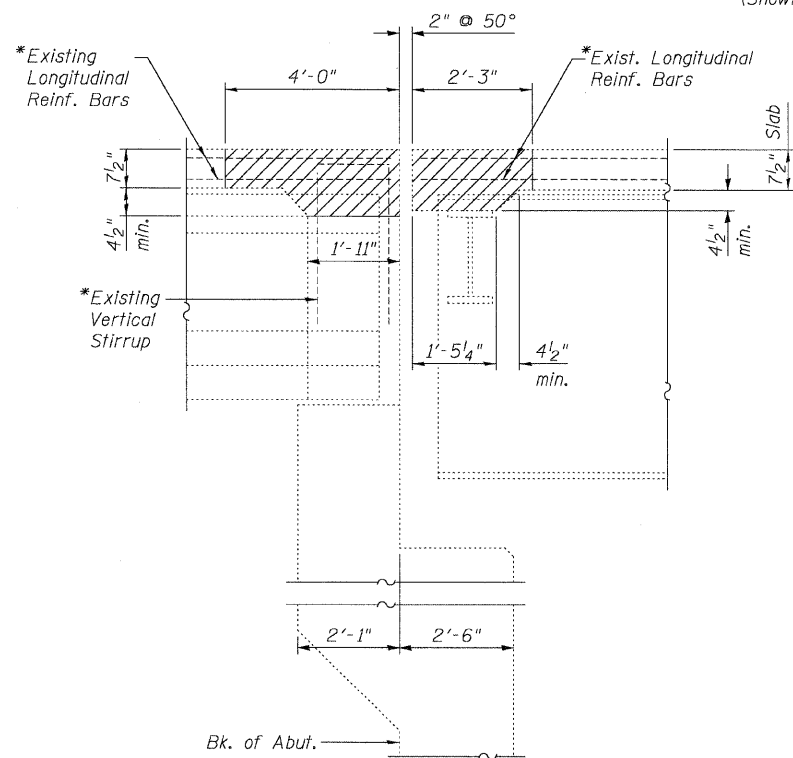


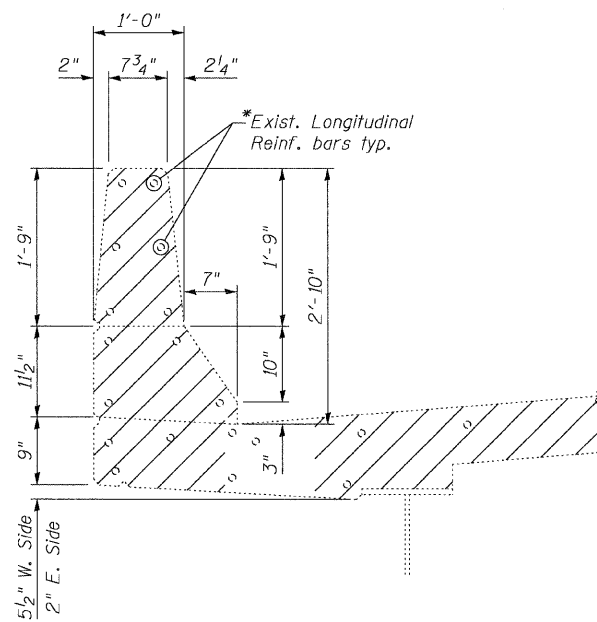
I.F. = Inside Face

PLAN

(Showing concrete removal)

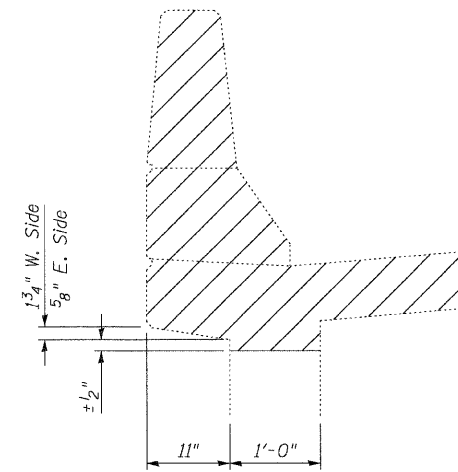


SECTION A-A
(Dim at right angles)



SECTION THRU PARAPET

(Spans 2 & 3; Spans 1 & 4 Similar except as shown in Detail A)



DETAIL A

(Spans 1 & 4)

BILL OF MATERIAL

Item	Unit	Total
Concrete Removal	Cu. Yd.	23.5

Notes:

Extreme care is required for Concrete Removal around the PPC I-Beams so as to avoid damage to the beam.

Hatched areas indicate "Concrete Removal".

* Existing longitudinal reinforcement bars and stirrups extending into the new construction shall be cleaned, straightened and incorporated into the new construction. Any reinforcement bars damaged during concrete removal shall be replaced with an approved bar splicer or anchorage system. Cost included with "Concrete Removal".

CONCRETE REMOVAL DETAILS
STRUCTURE NO. 060-0205

PLOT DATE = 09/14/2009
FILE NAME = 10600205-16c65-03-conc-removal-detail.dgn
SCALE = 1" = 1'-0"
USER NAME = CFC

CB Coombe-Bloxdorf P.C.
- CIVIL ENGINEERS -
- STRUCTURAL ENGINEERS -
- LAND SURVEYORS -
Design Firm License No. 184-002703

PROJECT NO.	05027-13
SCALE	
DATE	4/24/09
DESIGN BY	MCB
DRAWN BY	CFC
CHECKED BY	MCB

SHEET NO. 3
9 SHEETS

F.A.I. RTE.	SECTION	COUNTY	TOTAL SHEETS	SHEET NO.
70	60,(5,6,7)RS, 60-(6,7)BR	MADISON	185	99
CONTRACT NO. 76C56				
FED. ROAD DIST. NO. 7 ILLINOIS FED. AID PROJECT				