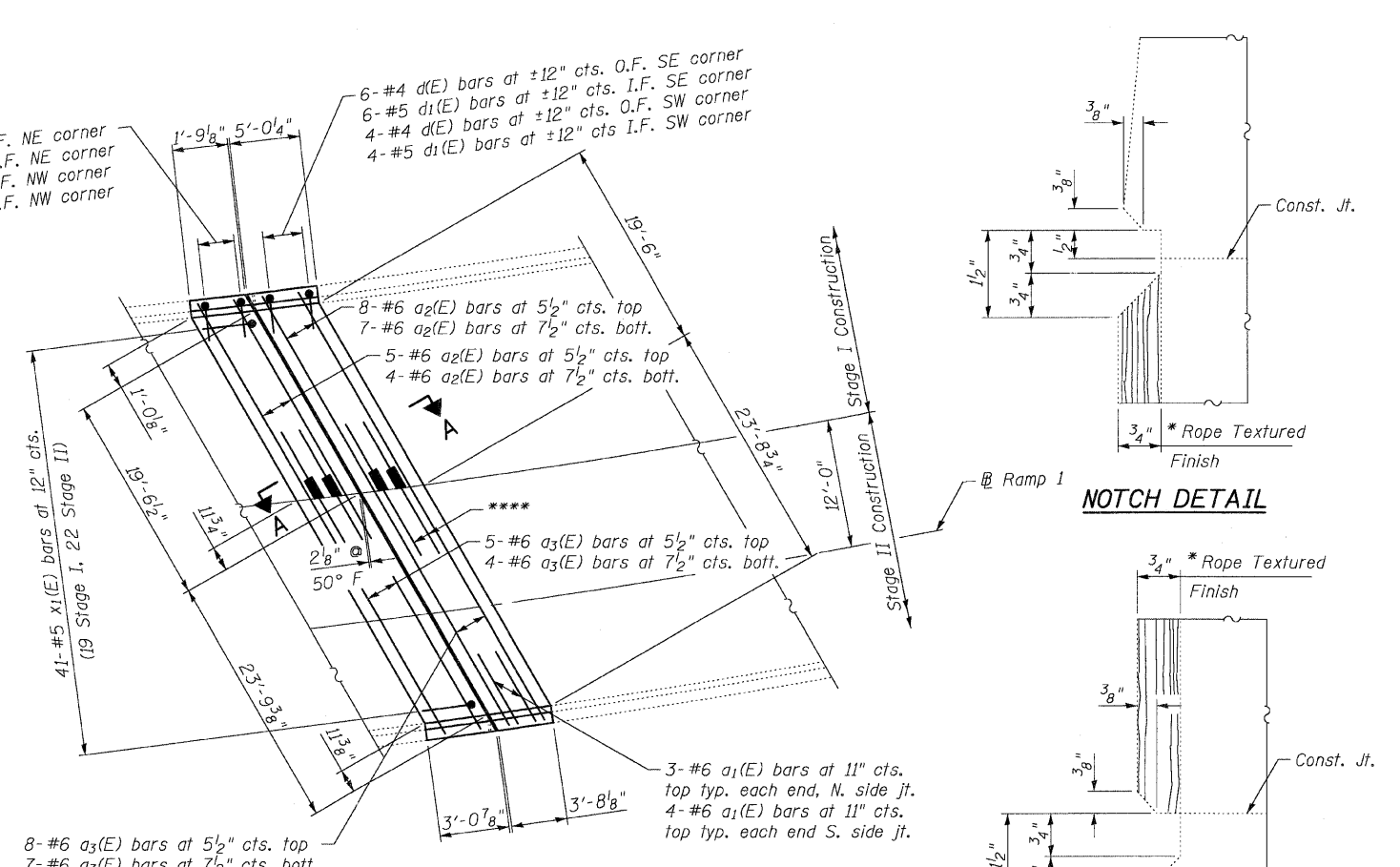
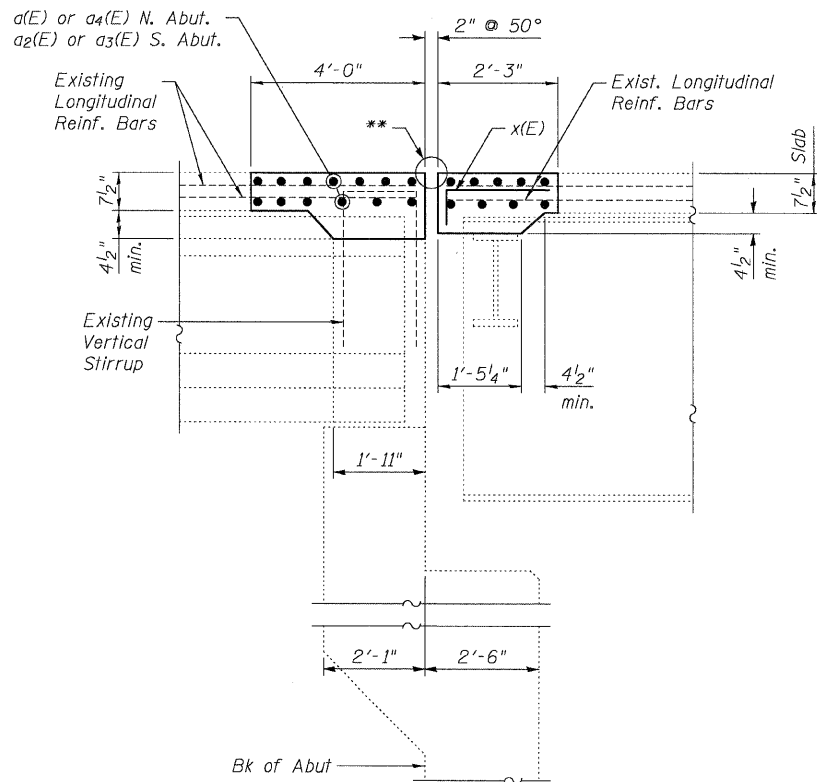


PLAN

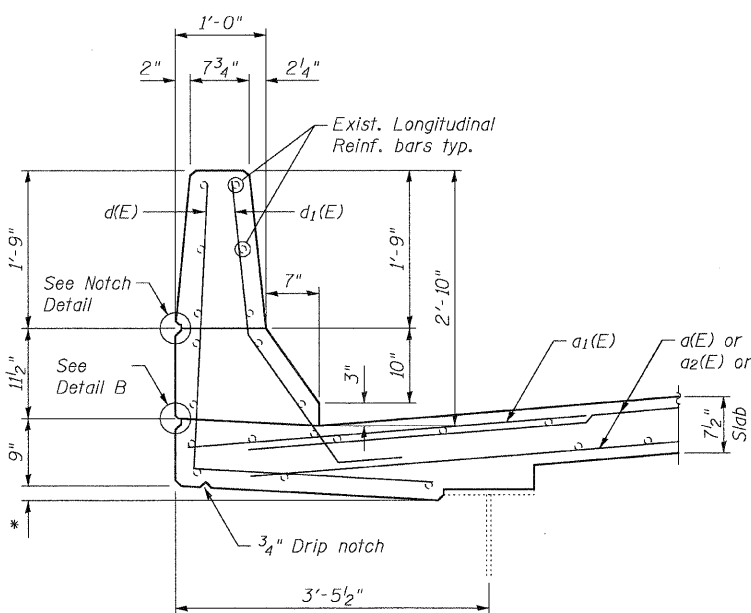


NOTCH DETAIL

DETAIL B

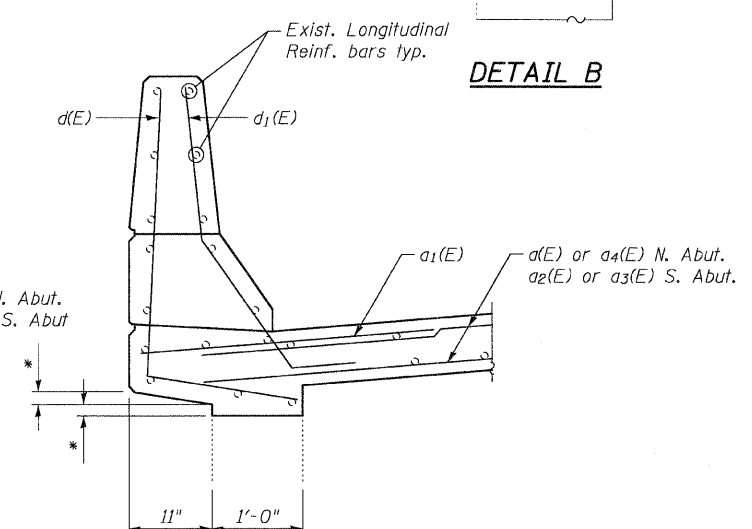


SECTION A-A
(Dim at right angles)



SECTION THRU PARAPET

(Spans 2 & 3 shown, Spans 1 & 4 Similar except as shown in Detail A)



DETAIL A
(Spans 1 & 4)

- * Match Existing
- ** See sheet 7 of 10 for Preformed Joint Strip Seal
- *** 5-#7 bar splicers top
4-#7 bar splicers bott.
for a(E) bars S. side joint
8-#7 bar splicers top
7-#7 bar splicers bott.
for a(E) bars N. side joint
- **** 5-#6 bar splicers top
4-#6 bar splicers bott.
for a₂(E) bars N. side joint
8-#6 bar splicers top
7-#6 bar splicers bott.
for a₂(E) bars S. side joint

O.F. = Outside Face
I.F. = Inside Face

Note:
Cut a(E), a₂(E), a₃(E) and a₄(E) bars to fit as necessary.
For cross sections, Section A-A, Bar Details and Bill of Material, See Sheet 6 of 10.

PLOT DATE = 09/14/2009
 PLOT SCALE = 1/8" = 1'-0"
 USER NAME = CFC

CB Coombe-Bloxdorf P.C.
 - CIVIL ENGINEERS -
 - STRUCTURAL ENGINEERS -
 - LAND SURVEYORS -
 Design Firm License No. 184-002703

PROJECT NO. 05027-13	SHEET NO. 4
SCALE	9 SHEETS
DATE 4/24/09	
DESIGN BY MCB	
DRAWN BY CFC	
CHECKED BY MCB	

F.A.I RTE.	SECTION	COUNTY	TOTAL SHEETS	SHEET NO.
70	60,(5,6,7)RS, 60-(6,7)BR	MADISON	185	100
FED. ROAD DIST. NO.		ILLINOIS	FED. AID PROJECT	
CONTRACT NO. 76C56				