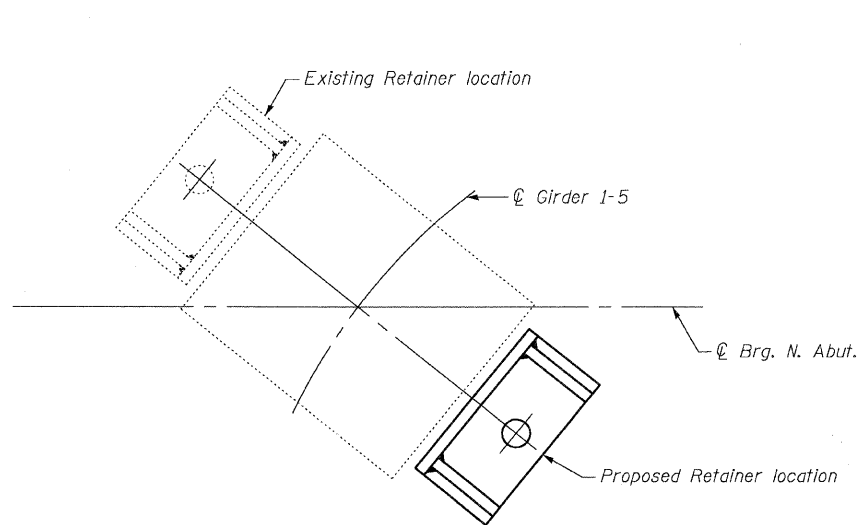


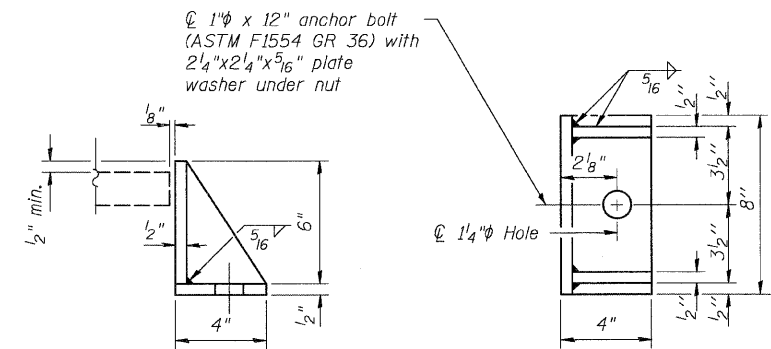
NORTH ABUTMENT RETAINER LAYOUT DETAIL

Plan at Girder 6



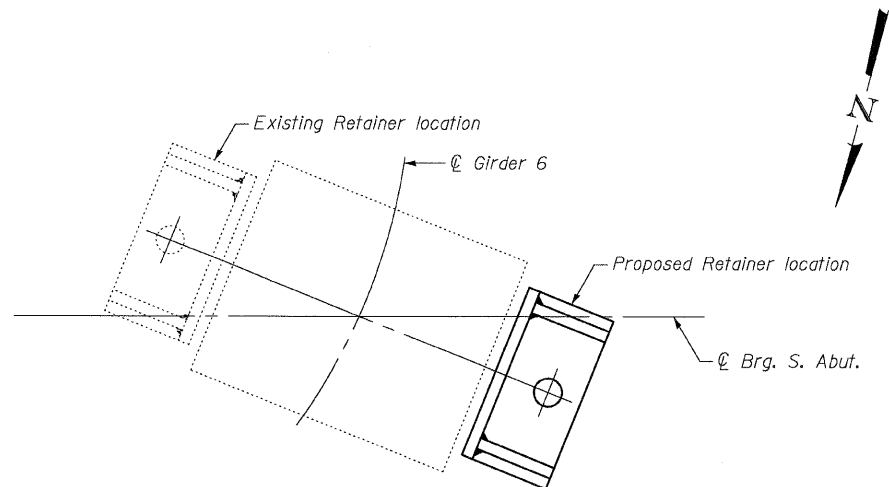
NORTH ABUTMENT RETAINER LAYOUT DETAIL

Plan at Girders 1-5



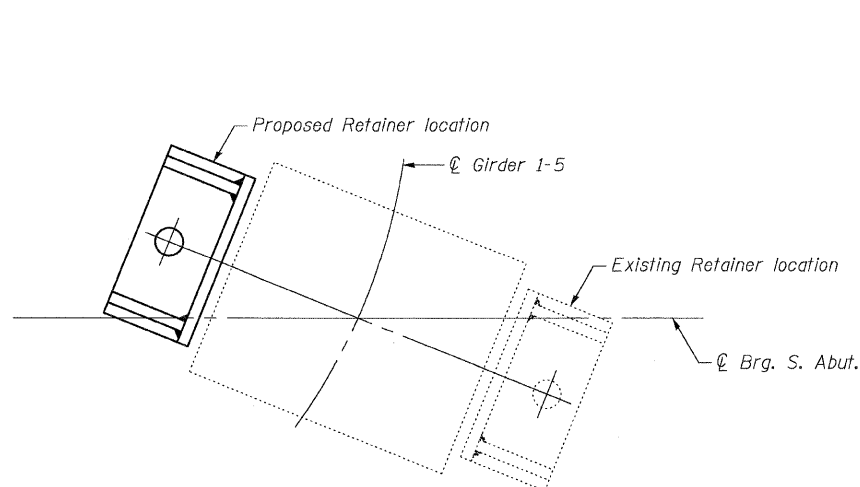
SIDE RETAINER DETAILS

Equivalent rolled angle with stiffeners will be allowed in lieu of welded plates.



SOUTH ABUTMENT RETAINER LAYOUT DETAIL

Plan at Girder 6



SOUTH ABUTMENT RETAINER LAYOUT DETAIL

Plan at Girders 1-5

BILL OF MATERIAL

Item	Unit	Total
Furnishing and Erecting Structural Steel	Pound	175
Anchor Bolts, 1" ϕ	Each	12

Note:
Structural Steel for retainer angles shall be AASHTO M270, Grade 36

**SIDE RETAINER DETAILS
STRUCTURE NO. 060-0205**

PLOT DATE = 09/14/2009
PLOT SCALE = 0.00000000 1" = 1'-0"
USER NAME = CFC

CB Coombe-Bloxdorf P.C.
-CIVIL ENGINEERS-
-STRUCTURAL ENGINEERS-
-LAND SURVEYORS-
Design Firm License No. 184-002703

PROJECT NO. 05027-13
SCALE
DATE 4/24/09
DESIGN BY MCB
DRAWN BY CFC
CHECKED BY MCB

SHEET NO. 7
9 SHEETS

F.A.I RTE.	SECTION	COUNTY	TOTAL SHEETS	SHEET NO.
70	60-(5,6,7)RS, 60-(6,7)BR	MADISON	185	103
CONTRACT NO. 76C56				
FED. ROAD DIST. NO.		ILLINOIS FED. AID PROJECT		