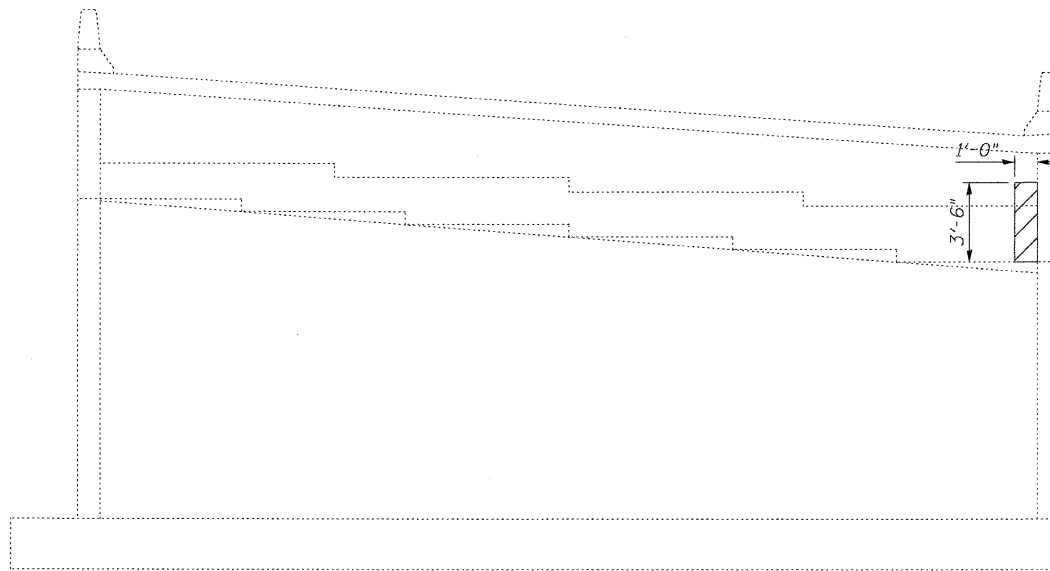
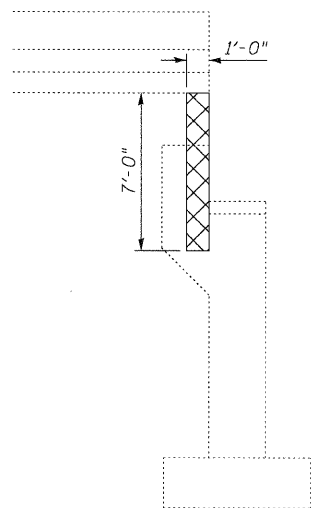


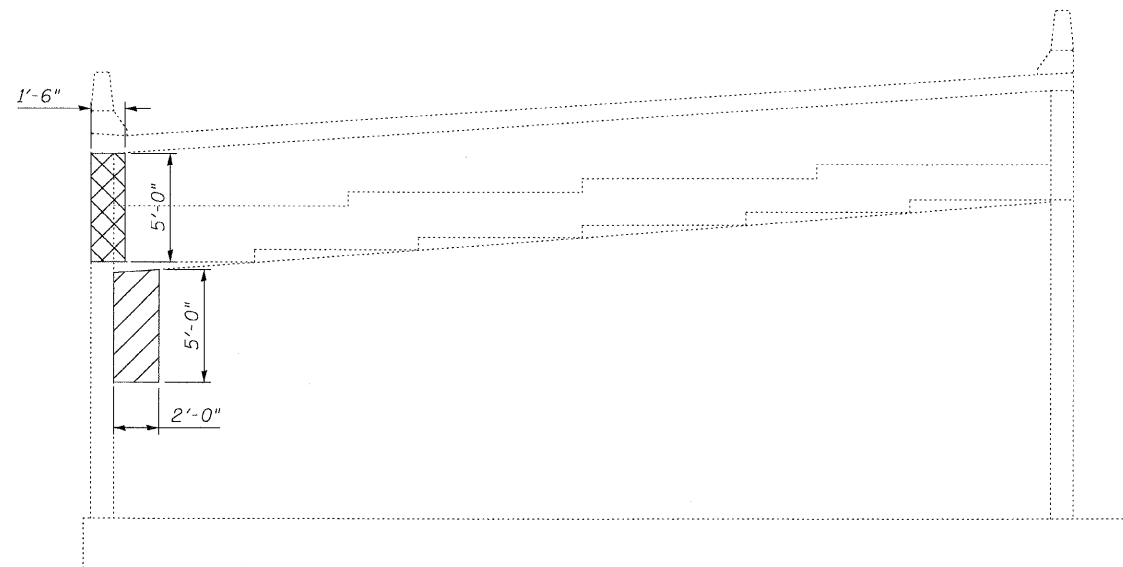
**WEST END VIEW
NORTH ABUTMENT**



**NORTH ABUTMENT ELEVATION
(Looking North)**



**EAST END VIEW
SOUTH ABUTMENT**

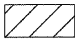



**SOUTH ABUTMENT ELEVATION
(Looking South)**

**BILL OF MATERIAL
TWO ABUTMENTS**

Structural Repair of Concrete (Depth Equal to or Less Than 5 In.)	Sq. Ft.	17
Structural Repair of Concrete (Depth Greater Than 5 In.)	Sq. Ft.	15

LEGEND

-  Denotes Structural Repair of Concrete
(Depth Equal to or Less Than 5")
-  Denotes Structural Repair of Concrete
(Depth Greater Than 5")

**ABUTMENT REPAIR DETAILS
STRUCTURE NO. 060-0205**

PLOT DATE = 09/14/2009
 PLOT SCALE = 1/8" = 1'-0"
 USER NAME = CFC

CB Coombe-Bloxdorf P.C.
 - CIVIL ENGINEERS -
 - STRUCTURAL ENGINEERS -
 - LAND SURVEYORS -
 Design Firm License No. 184-002703

PROJECT NO. 05027-13
 SCALE
 DATE 4/24/09
 DESIGN BY MCB
 DRAWN BY CFC
 CHECKED BY MCB

SHEET NO. 8
 9 SHEETS

F.A.I RTE.	SECTION	COUNTY	TOTAL SHEETS	SHEET NO.
70	60-(5,6,7)RS, 60-(6,7)BR	MADISON	185	104
CONTRACT NO. 76C56				
FED. ROAD DIST. NO.		ILLINOIS	FED. AID PROJECT	