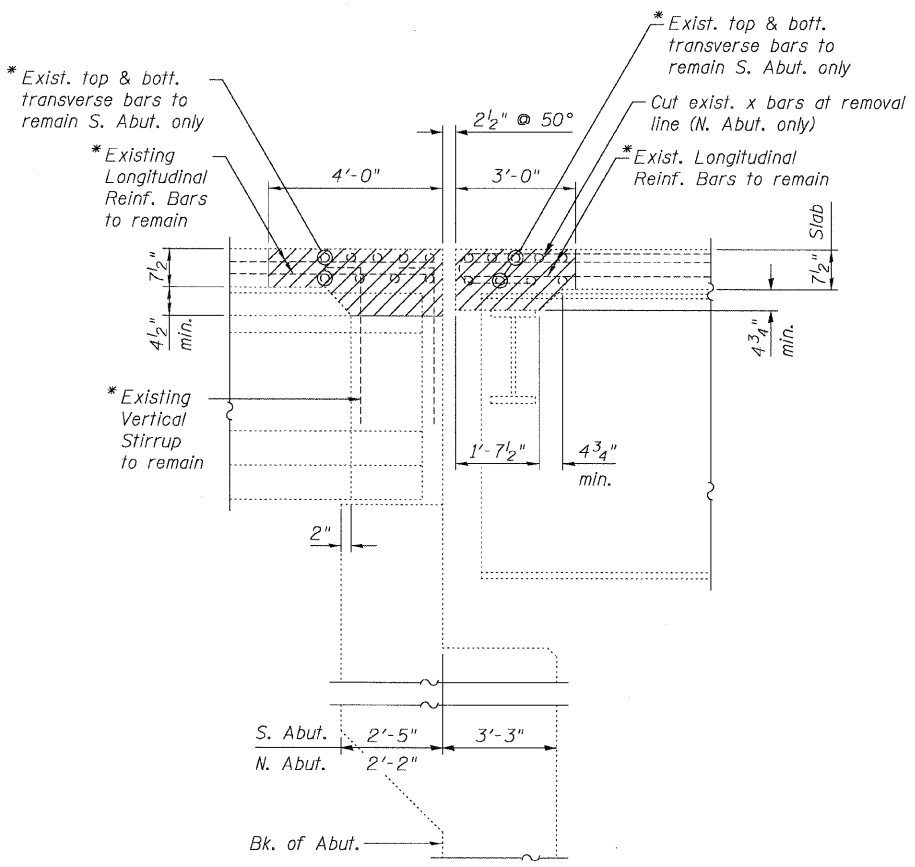
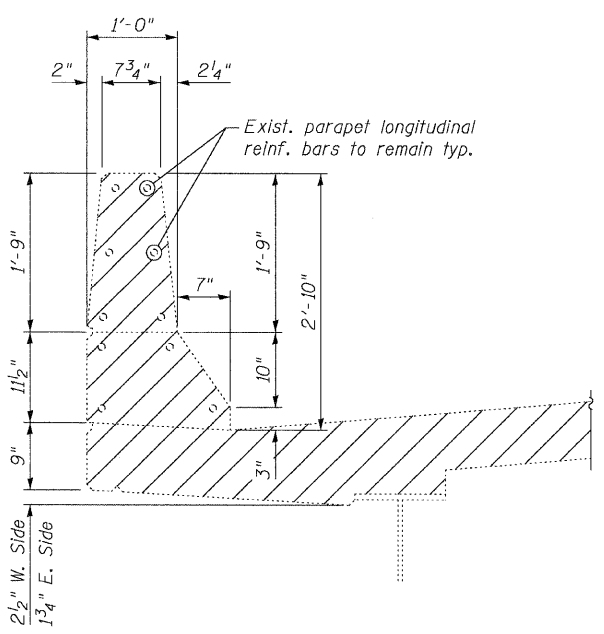


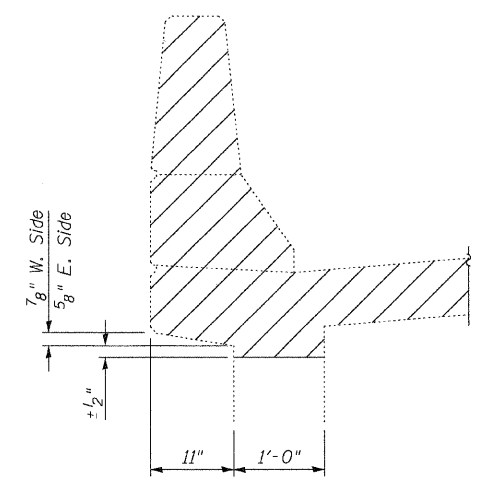
PLAN
(Showing concrete removal)



SECTION A-A
(Dim at right angles)



SECTION THRU PARAPET
(Spans 2 & 3; Spans 1 & 4 Similar except as shown in Detail A)



DETAIL A
(Spans 1 & 4)

BILL OF MATERIAL

Item	Unit	Total
Concrete Removal	Cu. Yd.	46.4

Notes:
Extreme care is required for Concrete Removal around the PPC I-Beams so as to avoid damage to the beam.
Hatched areas indicate "Concrete Removal".
* Existing longitudinal reinforcement bars, transverse bars as noted and stirrups extending into the new construction shall be cleaned, straightened and incorporated into the new construction. Any reinforcement bars damaged during concrete removal shall be replaced with an approved bar splicer or anchorage system. Cost included with "Concrete Removal".

CONCRETE REMOVAL DETAILS
STRUCTURE NO. 060-0211

PLOT DATE = 09/14/2009
FILE NAME = I:\060021-003-conc-removal-detailed.dgn
USER NAME = CFC

Coombe-Bloxdorf P.C. - CIVIL ENGINEERS - - STRUCTURAL ENGINEERS - - LAND SURVEYORS - Design Firm License No. 184-002703	PROJECT NO. 05027-13 SCALE DATE 4/24/09 DESIGN BY MCB DRAWN BY CFC CHECKED BY MCB	SHEET NO. 3 9 SHEETS	F.A.I. RTE. 70 SECTION 60,(5,6,7)RS, 60-(6,7)BR COUNTY MADISON CONTRACT NO. 76C56	TOTAL SHEETS 185 SHEET NO. 108
	FED. ROAD DIST. NO. 7 ILLINOIS FED. AID PROJECT			