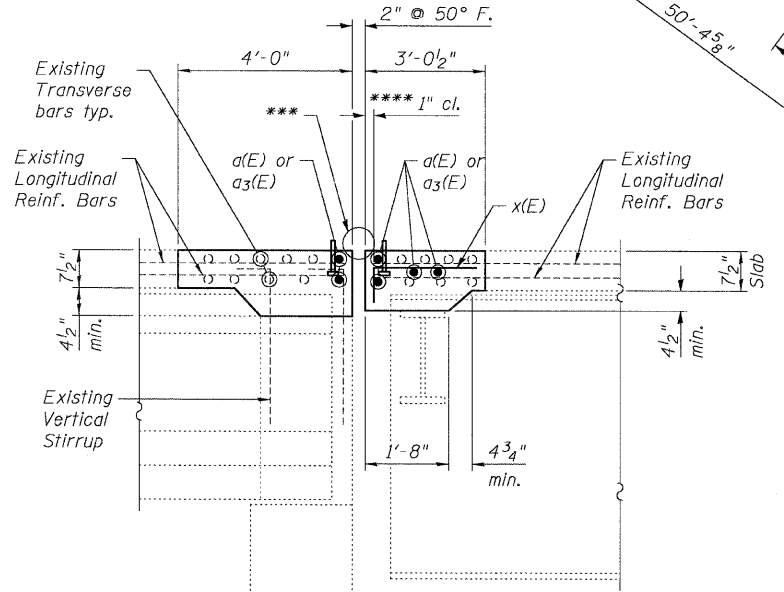
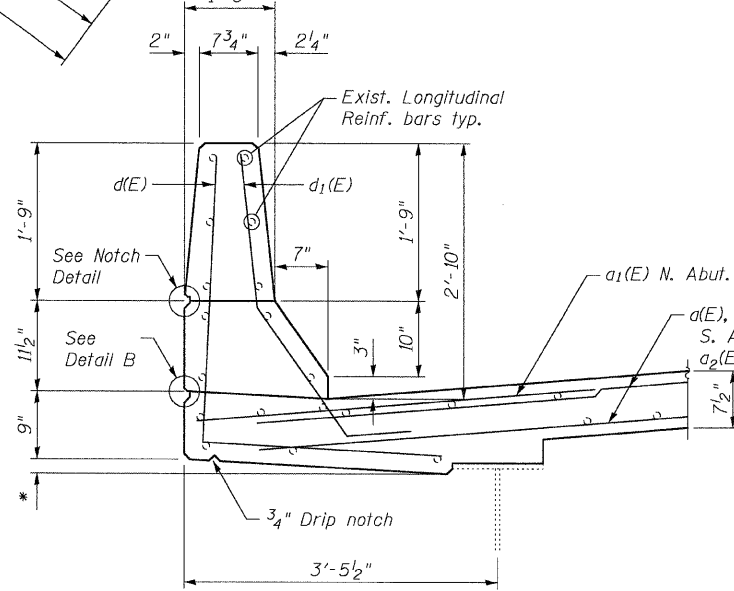


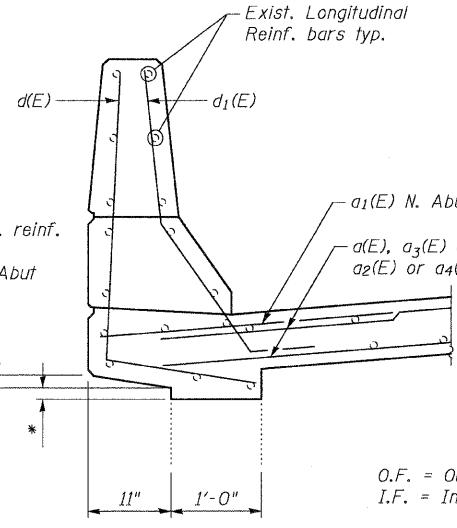
PLAN



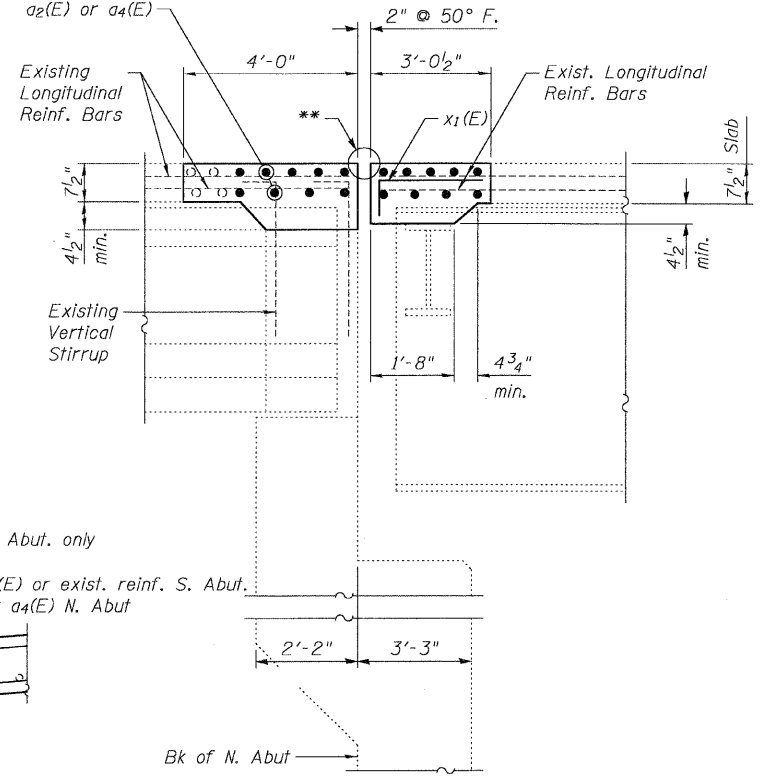
SECTION A-A
(Dim at right angles)



SECTION THRU PARAPET
(Spans 2 & 3 shown, Spans 1 & 4 Similar except as shown in Detail A)



DETAIL A
(Spans 1 & 4)



SECTION B-B
(Dim at right angles)

- * Match Existing
- ** See sheet 6 of 9 for Preformed Joint Strip Seal at North Abutment
- *** See sheet 7 of 9 for Neoprene Expansion Joint at South Abutment
- **** Place a(E) or a₃(E) bars in back of anchor bolt as shown if required to maintain 1" cl. (+0-½"). Anchor bolts should be tied to a(E) or a₃(E) bars. typ. each side joint.

Note:
For cross sections, Notch Detail, Detail B, Bar Details and Bill of Material see sheet 5 of 9.

SUPERSTRUCTURE DETAILS
STRUCTURE NO. 060-0211

PLOT DATE = 09/14/2009
FILE NAME = \\0600211-001-superstructure-details-1.dgn
USER = CFC

CB Coombe-Bloxdorf P.C.
-CIVIL ENGINEERS-
-STRUCTURAL ENGINEERS-
-LAND SURVEYORS-
Design Firm License No. 184-002703

PROJECT NO. 05027-13	SHEET NO. 4
SCALE	9 SHEETS
DATE	
DESIGN BY	MCB
DRAWN BY	CFC
CHECKED BY	MCB

F.A.I RTE.	SECTION	COUNTY	TOTAL SHEETS	SHEET NO.
70	60-(5,6,7)RS, 60-(6,7)BR	MADISON	185	109
CONTRACT NO. 76C56				
FED. ROAD DIST. NO.	ILLINOIS	FED. AID PROJECT		