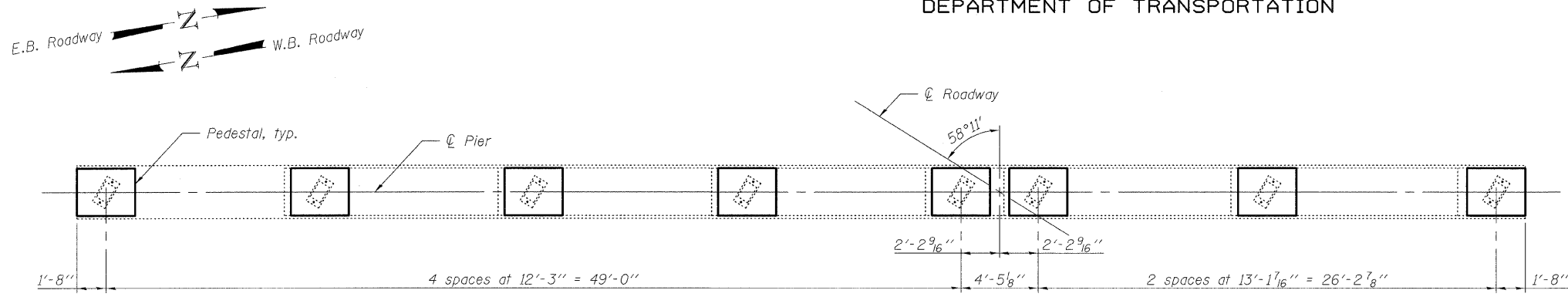
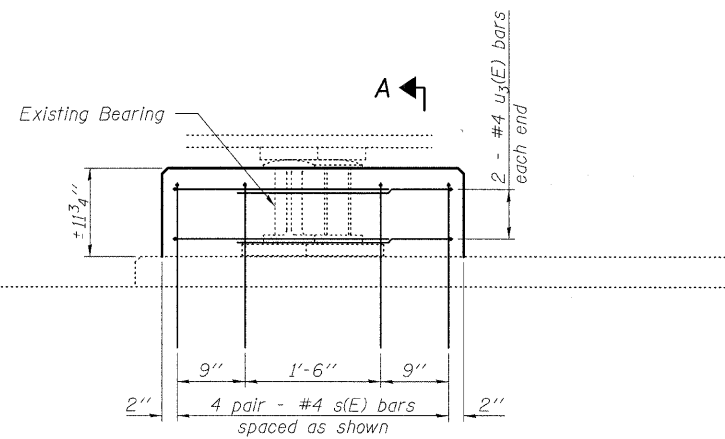


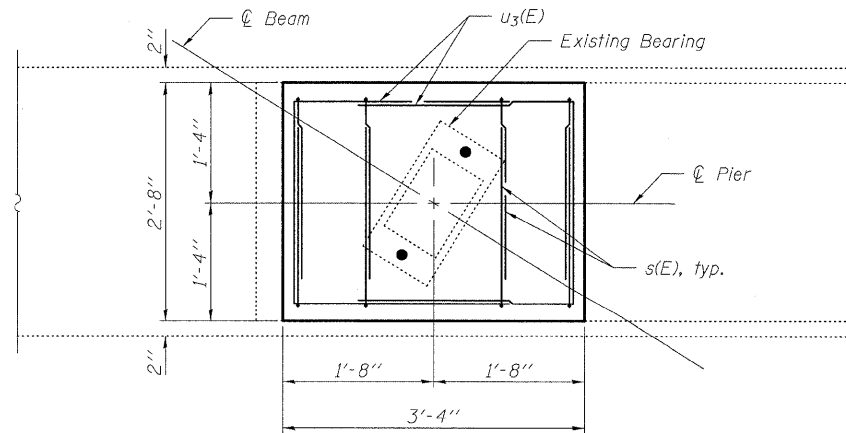
STATE OF ILLINOIS
DEPARTMENT OF TRANSPORTATION



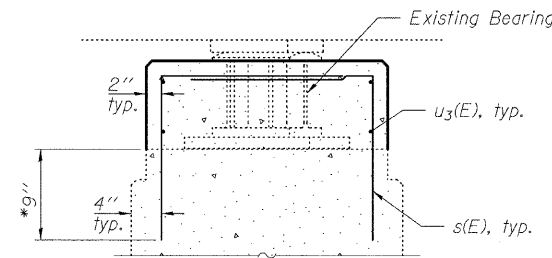
PLAN OF CAP



ELEVATION OF PEDESTAL

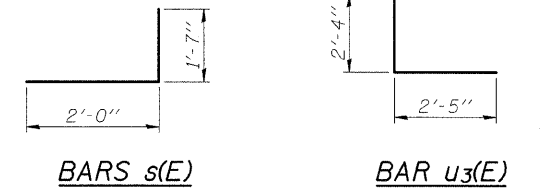


PLAN OF PEDESTAL



*Drill and epoxy grout reinforcement according to Section 584 of the Standard Specifications.

SECTION A-A



BILL OF MATERIAL
TWO STRUCTURES

Bar	No.	Size	Length	Shape
s(E)	128	#4	3'-7"	L
u3(E)	64	#4	7'-2"	U
Concrete Structures			Cu. Yd.	5.2
Reinforcement Bars, Epoxy Coated			Pound	620

PIER 2 DETAILS
STRUCTURE NO. 060-0012 (E.B.)
STRUCTURE NO. 060-0013 (W.B.)

DESIGNED	EML
CHECKED	JJD
DRAWN	EML
CHECKED	JJD

Note:
If there is difficulty placing the s(E) bar due to the existing beam as shown, the Contractor is to adjust the bar spacing as necessary keeping it as close as possible to the original location.

HORNER & SHIFRIN, INC.
ENGINEERS

SHEET NO. 13 14 SHEETS	F.A.I. RTE.	SECTION	COUNTY	TOTAL SHEETS	SHEET NO.
	70	60-(5,6,7)RS, 60-(6,7)BR	MADISON	185	127
			CONTRACT NO. 76C56		
FED. ROAD DIST. NO.		ILLINOIS	FED. AID PROJECT		