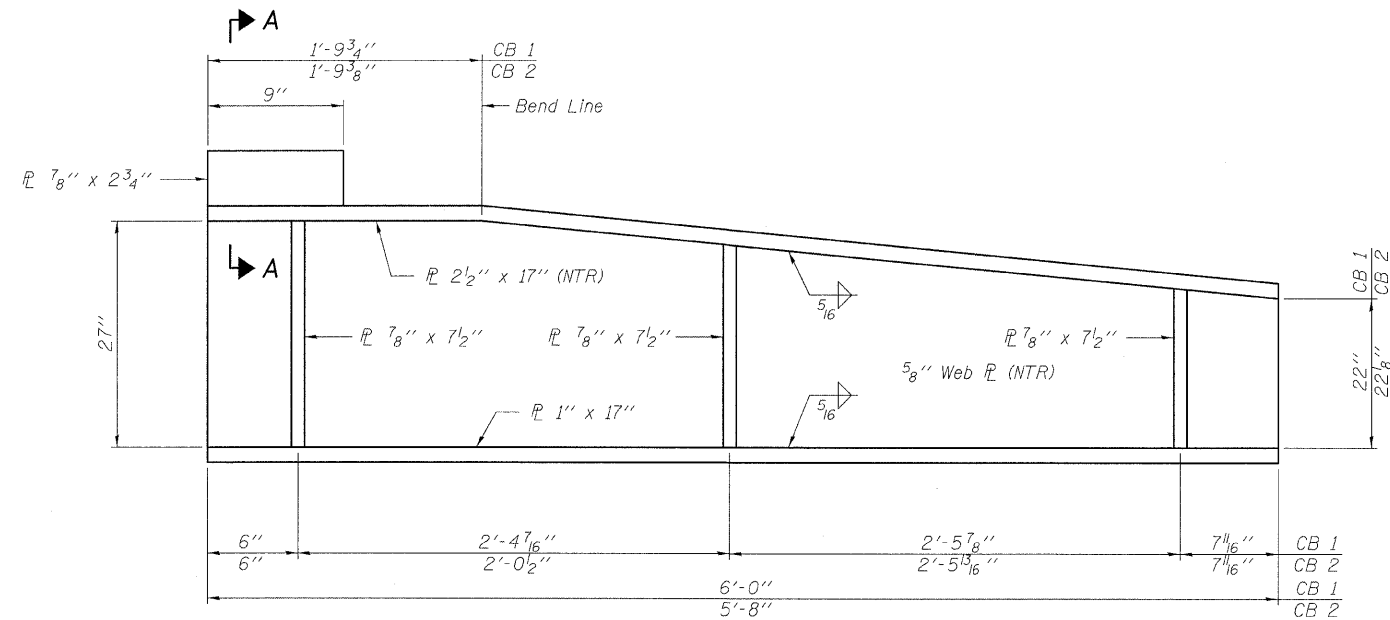
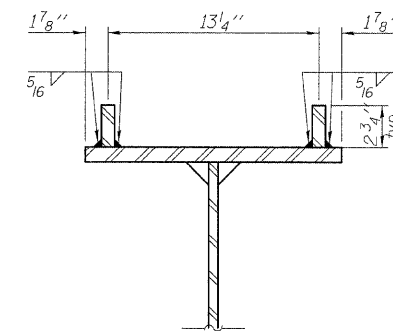


STATE OF ILLINOIS  
DEPARTMENT OF TRANSPORTATION



**CATCH BEAM ELEVATION**

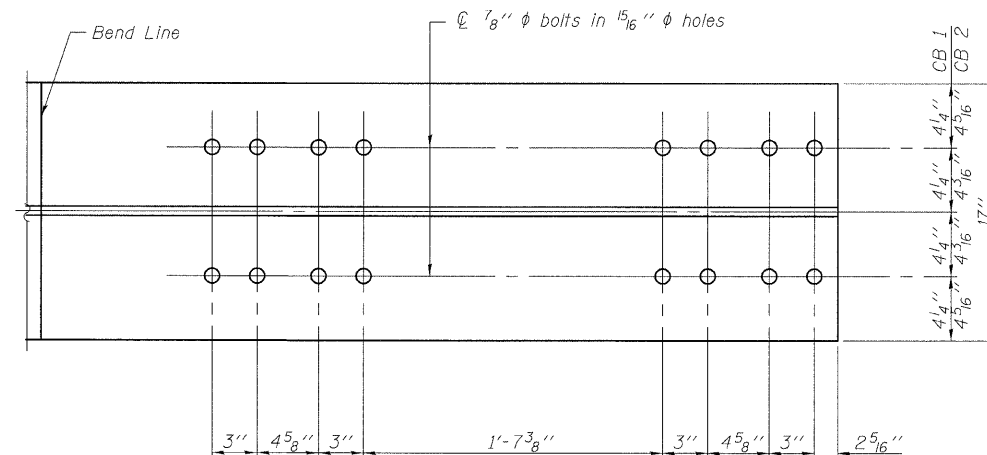
"NTR" denotes plates to which notch toughness requirements are applicable.



**SECTION A-A**

Notes:

All structural steel shall be AASHTO M270 Grade 50.  
Load carrying components designated "NTR" shall conform to the Supplemental Requirements for Notch Toughness, Zone 2.  
All catch beam fasteners shall be AASHTO M 253 Type 1, mechanically galvanized bolts. Bolts shall be 7/8"  $\phi$ , holes 15/16"  $\phi$  in all shop fabricated assemblies.



**TOP OF CATCH BEAM DETAIL**

**BILL OF MATERIAL  
TWO STRUCTURES**

Item	Unit	Total
Furnishing and Erecting	Pound	60,950
Structural Steel		

DESIGNED	KLH
CHECKED	EML
DRAWN	KLH
CHECKED	EML

**HORNER &  
SHIFRIN, INC.  
ENGINEERS**

SHEET NO. 10 16 SHEETS	F.A.I. RTE.	SECTION	COUNTY	TOTAL SHEETS	SHEET NO.
	70	60-(6,7)BR	MADISON	185	138
			CONTRACT NO. 76C56		
FED. ROAD DIST. NO.		ILLINOIS	FED. AID PROJECT		

**STRUCTURAL STEEL DETAILS II  
STRUCTURE NO. 060-0014 (E.B.)  
STRUCTURE NO. 060-0015 (W.B.)**