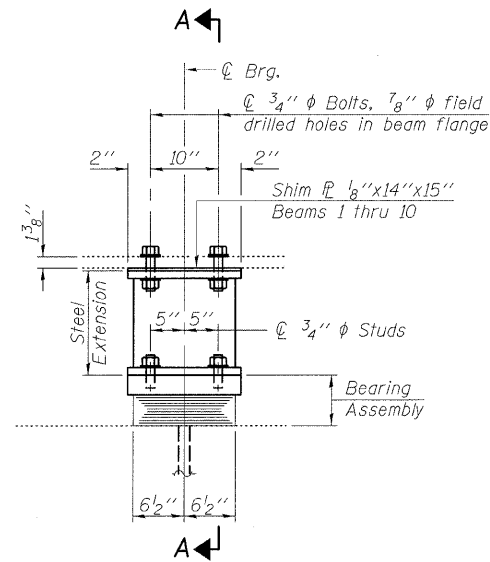
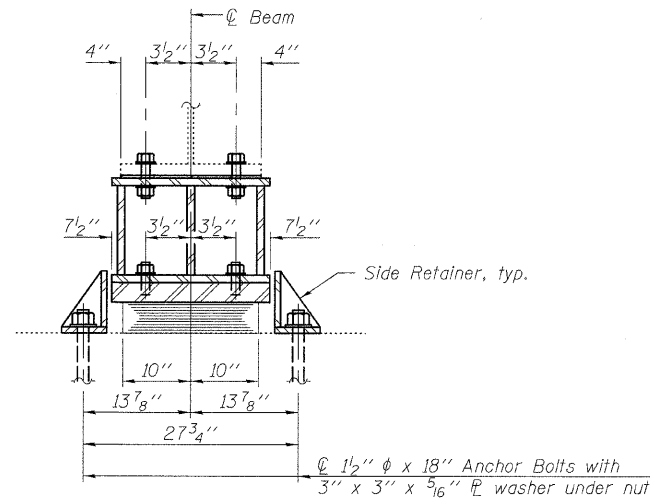


STATE OF ILLINOIS
DEPARTMENT OF TRANSPORTATION



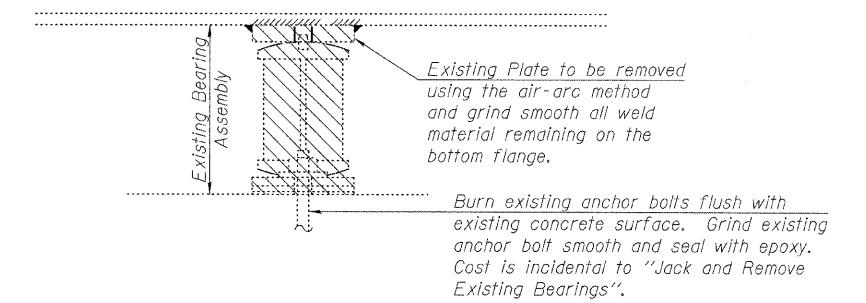
ELEVATION AT PIER 2

TYPE I ELASTOMERIC EXP. BRG.

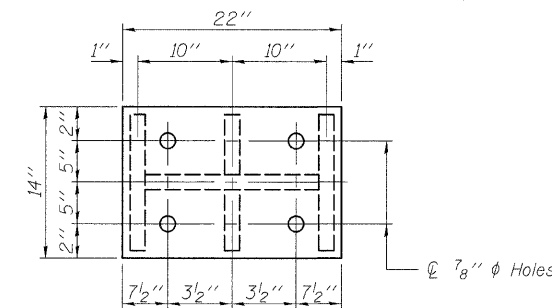


SECTION A-A

EXISTING GIRDER REACTION TABLE		
Pier 2		
R _L	(k)	126.7
R _R	(k)	69.0
R _T	(k)	20.7
R _{Total}	(k)	216.4

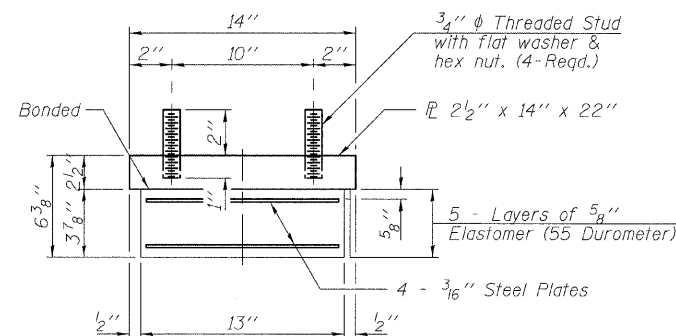


EXISTING BEARING REMOVAL DETAIL



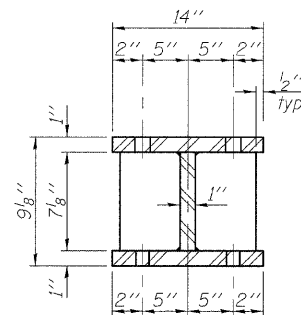
PLAN TOP AND BOTTOM PLATE

Notes:
The structural steel plates of the Bearing Assembly shall conform to the requirements of AASHTO M 270 Grade 50.
Anchor bolts shall be ASTM F1554 all-thread (or an Engineer-approved alternate material) of the grade(s) and diameter(s) specified. ASTM A307 Grade C anchor bolts may be used in lieu of ASTM F1554 Grade 36 (F_y=36ksi). The corresponding specified grade of AASHTO M314 anchor bolts may be used in lieu of ASTM F1554.
Drilled and set anchor bolts shall be installed according to Article 521.06 of the Standard Specifications.
Side retainers and other steel members required for the bearing assembly shall be included in the cost of Elastomeric Bearing Assembly, Type I.
Steel extensions, shim plates and connection bolts are included with Furnishing and Erecting Structural Steel.
Prior to ordering any material, the Contractor shall verify in the field all bearing height and shim thickness dimensions. Minimum jack capacity = 200 Tons.
Existing bearings shall be removed and replaced under traffic.
Diaphragm removal and reinstallation may be required to facilitate drilling holes. Cost included with Furnishing and Erecting Structural Steel.

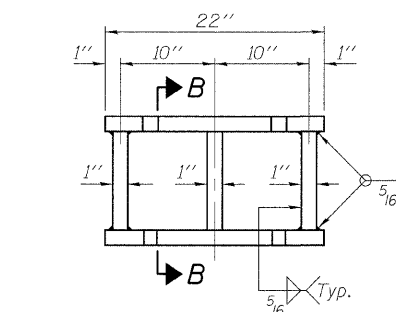


BEARING ASSEMBLY

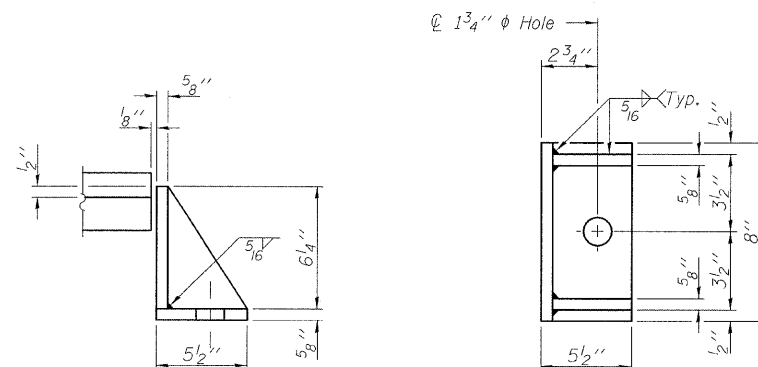
Note:
Shim plates shall not be placed under Bearing Assembly.



SECTION B-B



STEEL EXTENSION DETAIL



SIDE RETAINER

Equivalent rolled angle with stiffeners will be allowed in lieu of welded plates.

BILL OF MATERIAL
TWO STRUCTURES

Item	Unit	Total
Furnishing and Erecting Structural Steel	Pound	3,580
Jack and Remove Existing Bearing	Each	12
Elastomeric Bearing Assembly Type I	Each	12
Anchor Bolts, 1 1/2"	Each	24

PIER BEARING DETAILS
STRUCTURE NO. 060-0014 (E.B.)
STRUCTURE NO. 060-0015 (W.B.)

DESIGNED	KLH
CHECKED	EML
DRAWN	KLH
CHECKED	EML

HORNER & SHIFRIN, INC.
ENGINEERS

SHEET NO. 11 16 SHEETS	F.A.I. RTE.	SECTION	COUNTY	TOTAL SHEETS	SHEET NO.
	70	60-(6,7)BR	MADISON	185	139
CONTRACT NO. 76C56					
FED. ROAD DIST. NO. ILLINOIS FED. AID PROJECT					