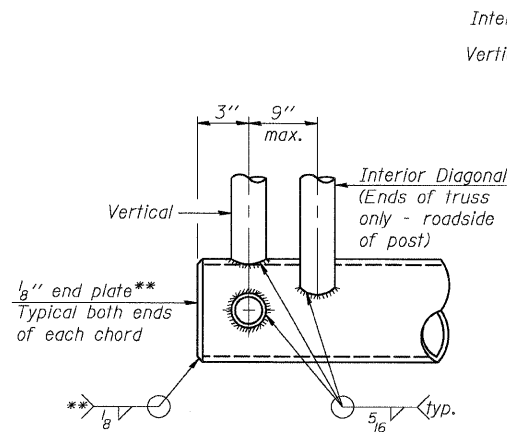


ELEVATION
(Sign and walkway omitted for clarity)
TYPICAL TRUSS UNIT
For Section B-B and Section C-C, see Base Sheet OSC-A-3.

Note:
There are twice as many horizontal diagonals as there are vertical diagonals.

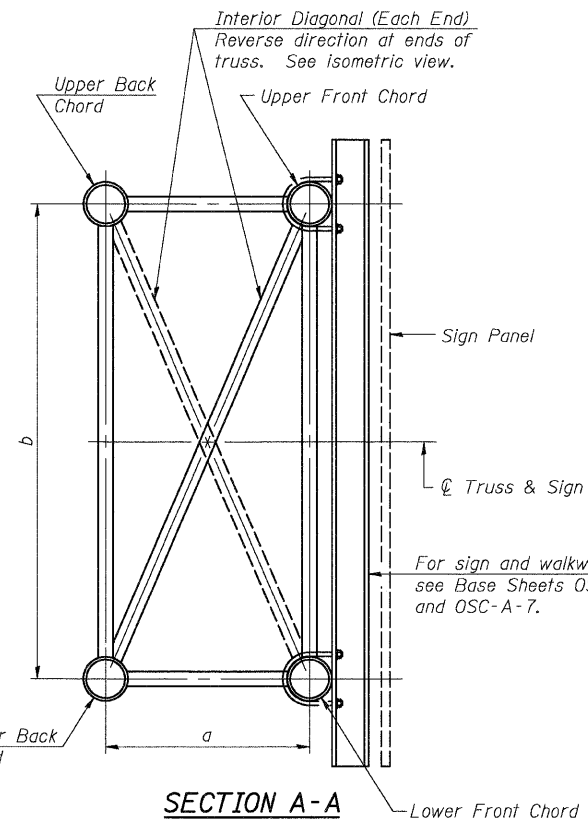


CANTILEVER END JOINT DETAIL
** Contractor may alternatively use standard aluminum drive-fit cap to close ends.

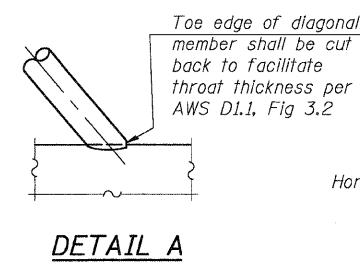
OSC-A-2 12-1-08

Coombe-Bloxdorf P.C.
- CIVIL ENGINEERS -
- STRUCTURAL ENGINEERS -
- LAND SURVEYORS -
Design Firm License No. 184-002703

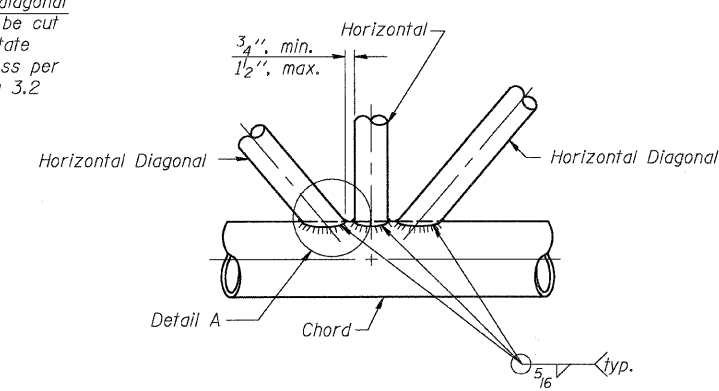
PROJECT NO. 05027-13
SCALE: / / /
DATE: / / /
DESIGN BY: / / /
DRAWN BY: / / /
CHECKED BY: / / /



SECTION A-A

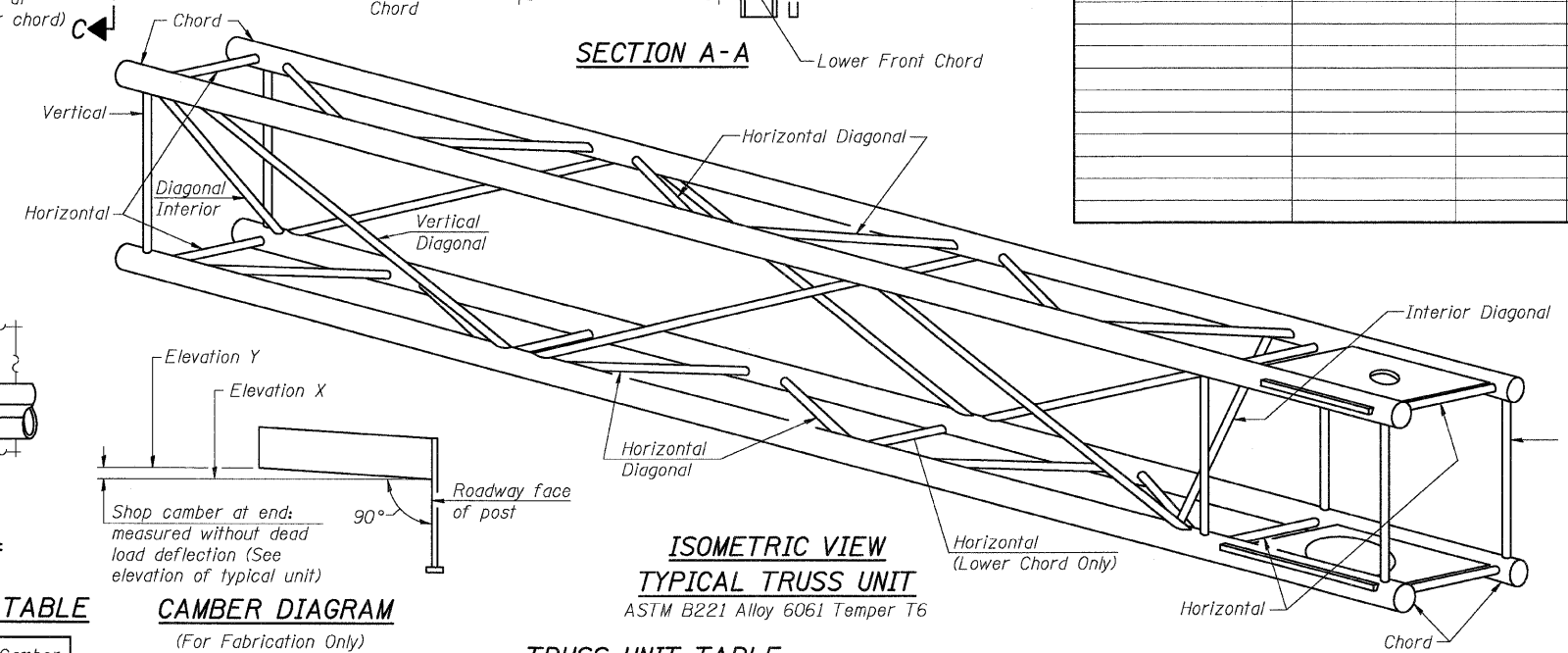


DETAIL A

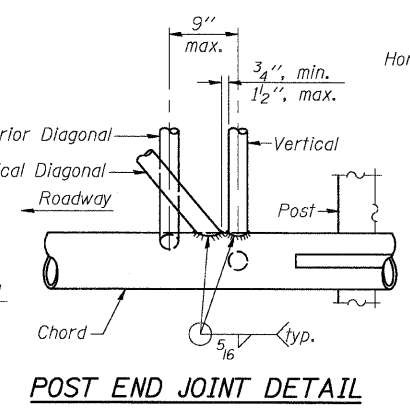


TRUSS INTERIOR JOINT DETAIL

Structure Number	Station	Truss Type	Design Length (L)	Number of Panels Per Unit	Panel Length (P)*
8C0601055R008.8	392+25	II-C-A	30'	7	4'



ISOMETRIC VIEW
TYPICAL TRUSS UNIT
ASTM B221 Alloy 6061 Temper T6



POST END JOINT DETAIL

SHOP CAMBER TABLE

Unit Length (L)	Shop Camber at End
15'	1 1/2"
16'-17'	1 3/4"
18'-20'	2"
21'-22'	2 1/4"
23'-25'	2 1/2"
26'-27'	2 3/4"
28'-30'	3"
31'-32'	3 1/4"
33'-35'	3 1/2"
36'-37'	4"
38'-40'	4 1/2"

CAMBER DIAGRAM
(For Fabrication Only)

Truss Type	Dimension "a"	Dimension "b"	Dimension "s"	Limits for Panel Spacing (P)*	Verticals; Horizontals; Vertical, Horizontal, and Interior Diagonals			
					Up. & Low. Chord O.D.	Wall	Wall	
I-C-A	24"	54"	16"	36" min. to 48" max.	5"	5/16"	2 1/2"	5/16"
II-C-A	36"	66"	21"	42" min. to 54" max.	6 1/2"	5/16"	3 1/4"	5/16"
III-C-A (35' Max.)	36"	84"	21"	48" min. to 66" max.	7"	3/8"	3 1/2"	3/8"
III-C-A (>35' to 40')	36"	84"	21"	48" min. to 66" max.	8"	3/8"	3 1/2"	3/8"

TRUSS UNIT TABLE

*P = $\frac{L-s-3''}{\# \text{ Panels}}$

NUMBER	REVISION	DATE

CANTILEVER SIGN STRUCTURES
TRUSS DETAILS
ALUMINUM TRUSS & STEEL POST

F.A.I. ROUTE 70, SEC. 60-(5,6,7)RS, 60-(6,7)BR
MADISON COUNTY

SHEET NO. 2	F.A.I. RTE. 70	SECTION 60-(5,6,7)RS, 60-(6,7)BR	COUNTY MADISON	TOTAL SHEETS 185	SHEET NO. 146
19 SHEETS			CONTRACT NO. 76C56		
FED. ROAD DIST. NO.		ILLINOIS	FED. AID PROJECT		

PLOT DATE = 09/14/2009
FILE NAME = ..876c56-002-sec02.dgn
USER NAME = CFC