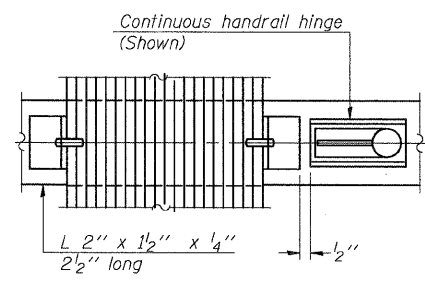
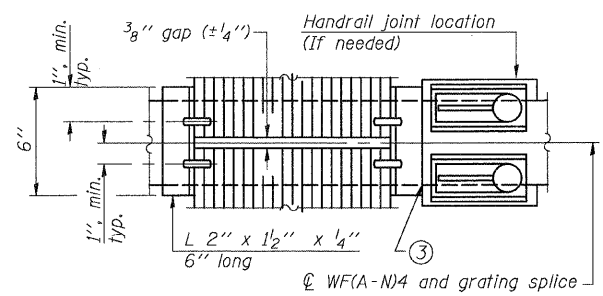


SECTION B-B

Sign shall be even with the top of the bracket, but it may extend no more than 6" above the top of the bracket for field adjustments.

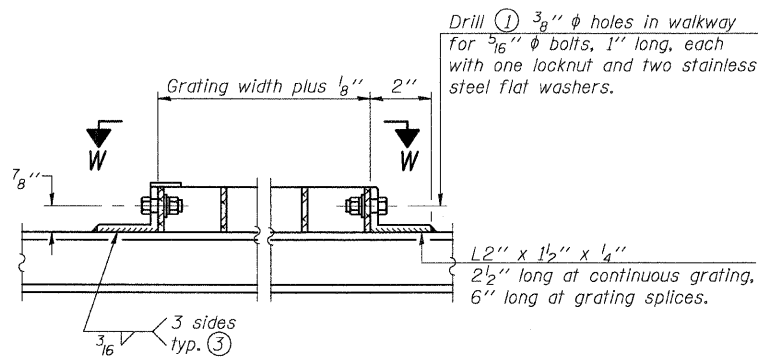


(CONTINUOUS WALKWAY GRATING)

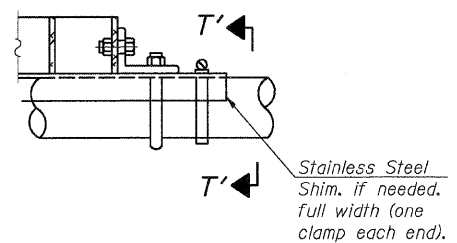


(AT WALKWAY GRATING SPLICE)

SECTION W-W



DETAIL W
(Walkway grating)



DETAIL T'

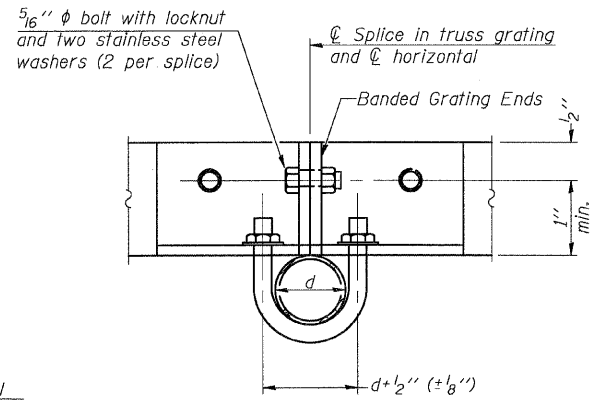
(Truss grating splice)
Details not shown same as Detail T. Alternate materials may be used subject to the Engineer's review and approval.

SPECIFICATIONS FOR STANDARD ALUMINUM GRATING

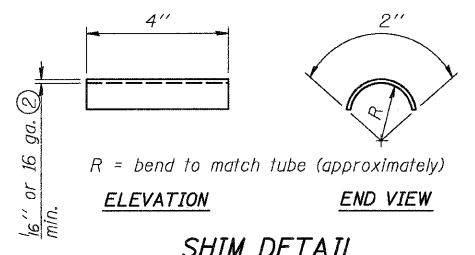
Main Bearing Bars (MBB) shall be 3/16" x 1 1/2" on 1 3/16" centers and conform to ASTM B211 Alloy 6061-T6.
Cross bars (CB) shall be 3/16" x 1 1/2" on 4" centers and conform to ASTM B221 Alloy 6063-T5 or 6061-T6.

OR

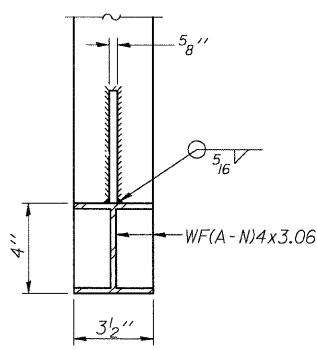
Aluminum Grating with modified "I" sections for main bearing bars shall meet the following requirements:
Main bars shall conform to ASTM B221 Alloy 6061-T6 and have a minimum section modulus equal to 0.0705 in.³ per bar, a depth of 1 1/2", spaced on 1 3/16" centers.
Cross bars shall conform to ASTM B221 Alloy 6063-T5 or T-42 and spaced on 4" centers.



SECTION T'-T'

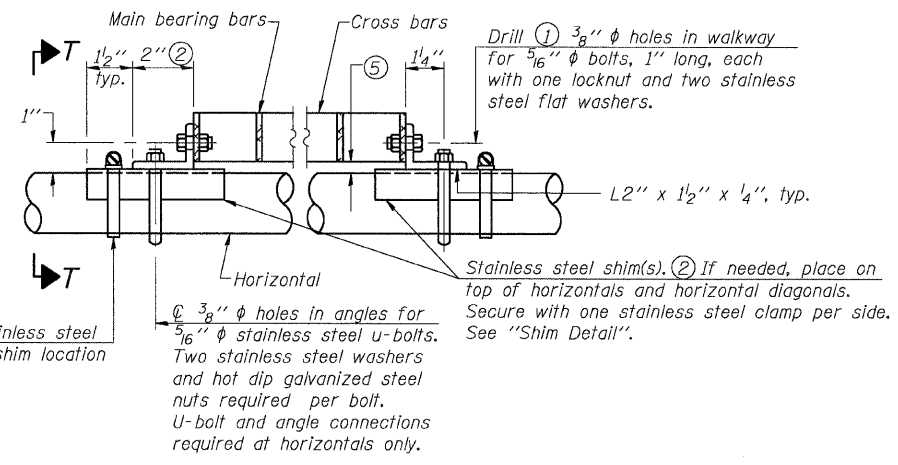


SHIM DETAIL



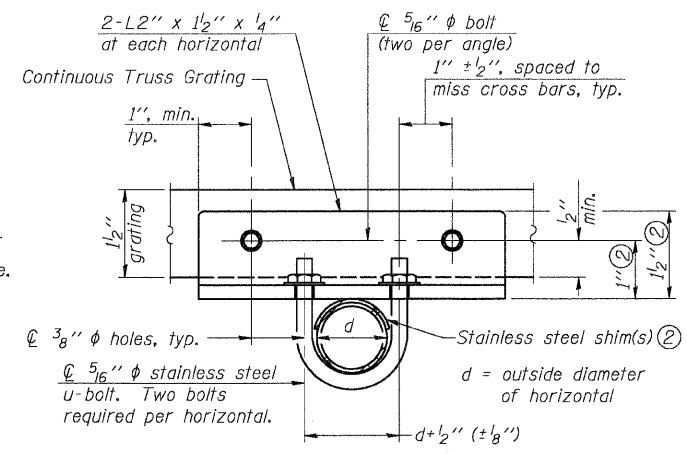
SECTION D-D

Screw type stainless steel tube clamp at shim location



DETAIL T

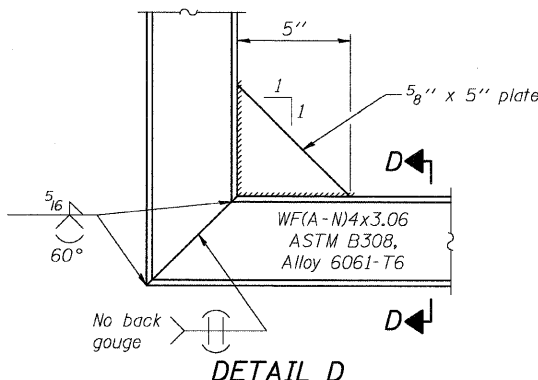
(Continuous Truss grating)



SECTION T-T

- ① Drilling holes in grating may be done in shop or field, based on Contractor's preference and subject to accurate alignment.
- ② Stainless steel shims shall be placed as shown in Detail T if needed to compensate for alignment variations between horizontal and diagonal pipes beyond adjustment provided by angles. Thicker shims may be used subject to shims performing properly.
- ③ If Handrail Joint present, weld angle to WF(A-N)4 and 1/4" extension bars. (See Base Sheet OSC-A-8.)
- ④ 1/2" x 1/2" x 2" welded to handrail posts to protect locations that contact grating.
- ⑤ Tube to grating gap may vary from 0 to 1/2", max. to align walkway, allow for camber, etc.

NUMBER	REVISION	DATE



DETAIL D

Structure Number	Station	A	B	C	D
8C0601055R008.8	392+25	7"	2'-9"	5.50'	8'-9"

**CANTILEVER SIGN STRUCTURES
WALKWAY DETAILS
ALUMINUM TRUSS & STEEL POST**

F.A.I. ROUTE 70, SEC. 60-(5,6,7)RS, 60-(6,7)BR
MADISON COUNTY

SHEET NO. 7	F.A.I. RTE.	SECTION	COUNTY	TOTAL SHEETS	SHEET NO.
19 SHEETS	70	60-(5,6,7)RS, 60-(6,7)BR	MADISON	185	151
CONTRACT NO. 76C56					
FED. ROAD DIST. NO.		ILLINOIS FED. AID PROJECT			

PLOT DATE = 09/14/2008
 PLOT SCALE = 1/8" = 1'-0"
 PLOT NAME = OSC-A-7.dgn
 USER NAME = CFC

Coombe-Bloxdorf P.C.
 - CIVIL ENGINEERS -
 - STRUCTURAL ENGINEERS -
 - LAND SURVEYORS -
 Design Firm License No. 184-002703

PROJECT NO. OS027-13
 SCALE: / / /
 DATE: / / /
 DESIGN BY: / / /
 DRAWN BY: / / /
 CHECKED BY: / / /