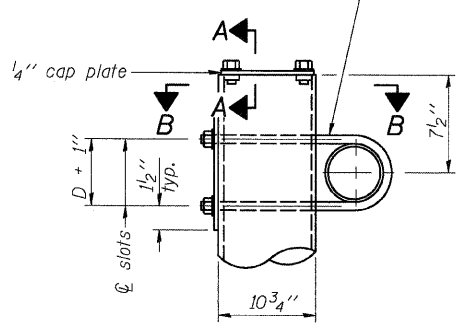
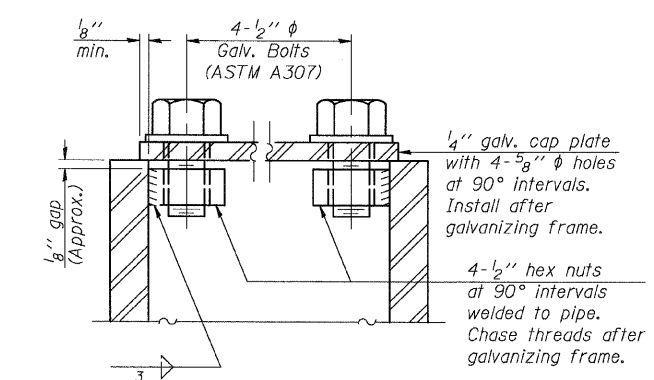


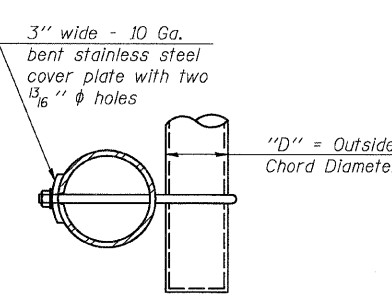
3/4" φ stainless steel U-bolt.
Provide two washers and two hexagon locknuts. (4)
1 1/2" x 2" slots on 10" φ pipe.
(4 slots required per pipe)



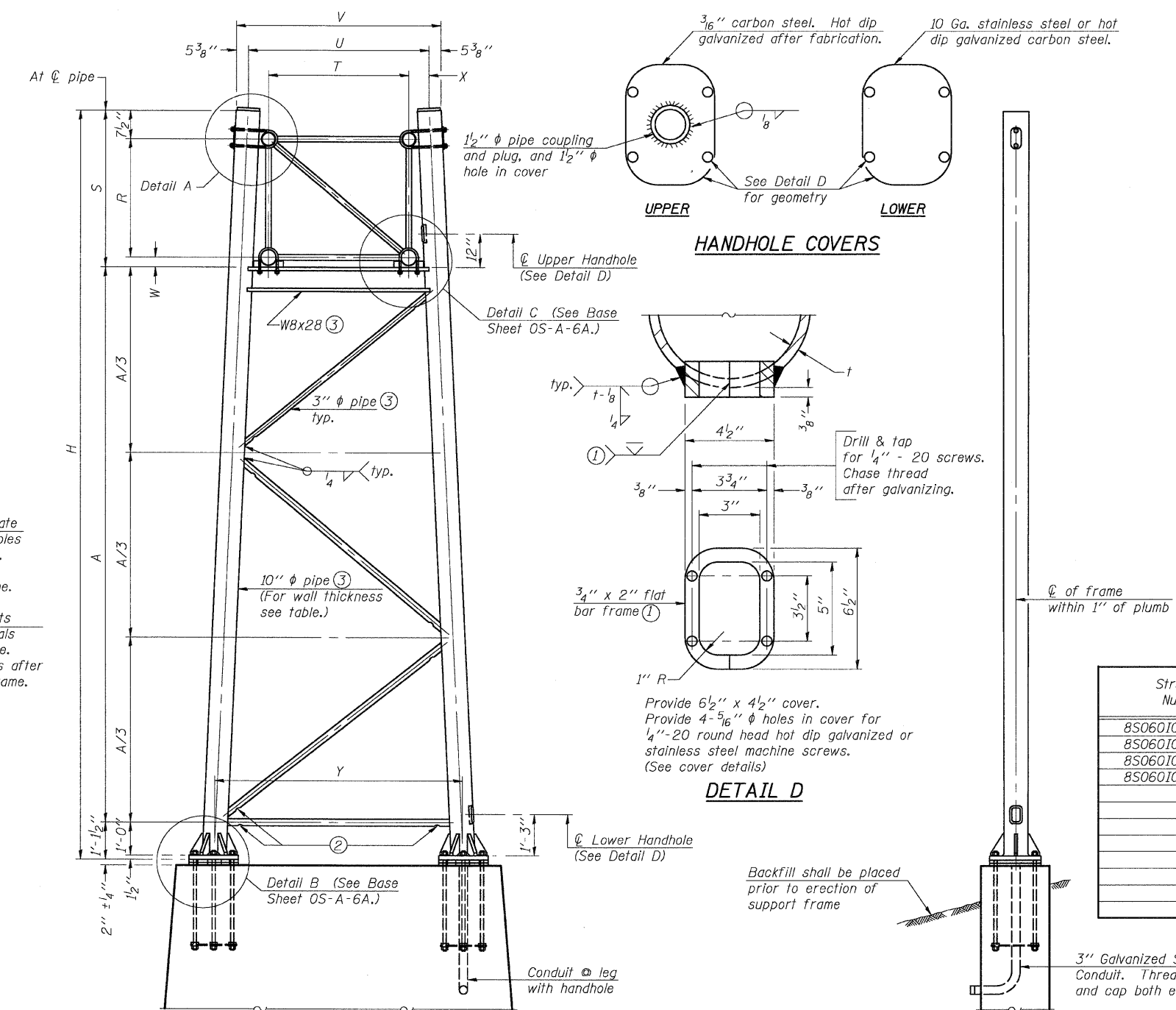
DETAIL A



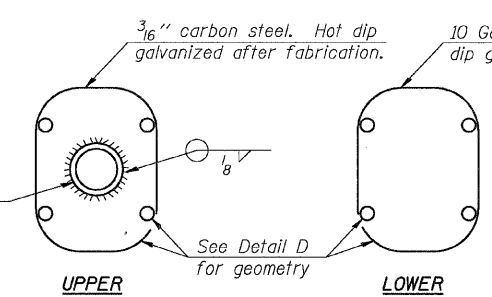
SECTION A-A
As an alternate to bolts, may use galvanized drive-fit caps installed after galvanizing frame.



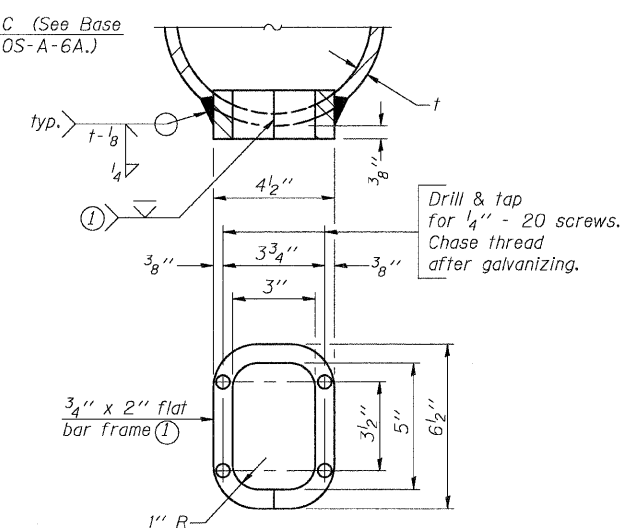
SECTION B-B



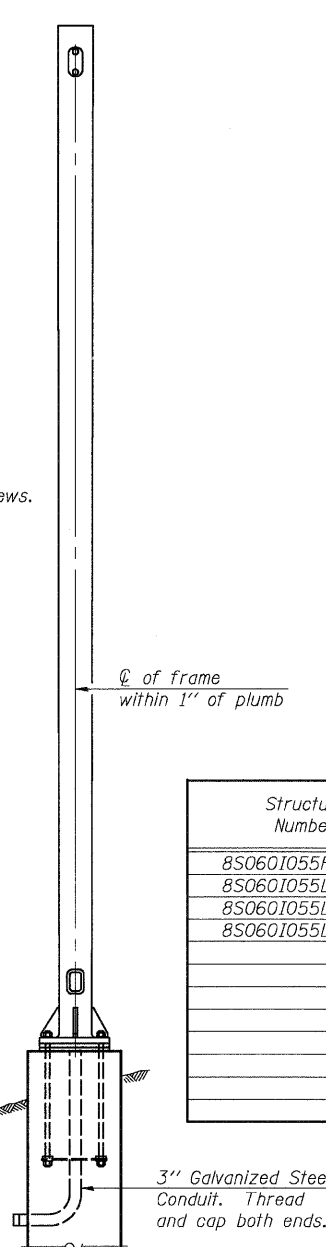
SIDE ELEVATION
For Foundation Details, see base sheet OS-F3 (Spread Footing) or OS4-F3 (Drilled Shaft).



HANDHOLE COVERS



DETAIL D



END ELEVATION

Support Design Loads: See Base Sheet OS-A-1 for design and loading criteria.
Load combinations checked include deadload plus:
a) 100% wind normal to sign, 20% parallel to sign
b) 60% wind normal to sign, 30% parallel to sign

- ① In lieu of fabricated handhole frame as shown, may cut from 2" plate (rolling direction vertical). All cut faces to be ground to ANSI Roughness of 500 μin or less.
- ② Galvanizing vent holes of adequate size shall be provided on underside at each end of bracing pipes. Alternately, holes may be provided in wall of pipe column. All vent holes shall be drilled and de-burred, typ.
- ③ Steel pipe, plate, carbon steel handhole covers and rolled sections shall be hot dip galvanized after fabrication. Painting is not permitted. See Base Sheet OS-A-1.
- ④ See General Notes for fasteners.
- ⑤ Dimensions shown are based on selection criteria in the Sign Structures Manual. Nonstandard applications must have dimensions verified or amended as appropriate.
- ⑥ "H" based on 15'-0" or actual sign height, whichever is greater.

Structure Number	Station	Support		Truss Type	Pipe Wall Thickness	H (6)	A
		Left	Right				
8S060I055R010.9	502+00	X	X	I-A	0.279	28'-10"	22'-3"
8S060I055L011.2	510+80	X		I-A	0.365 (Std.)	29'-2"	22'-7"
8S060I055L011.2	510+80		X	I-A	0.365 (Std.)	31'-10"	25'-3"
8S060I055L011.4	537+25	X	X	II-A	0.365 (Std.)	29'-0"	21'-7 1/4"

10" φ PIPE TRUSS SUPPORT FRAME

Truss Type	Dimensions							
	R	S	T	U	V	W	X	Y
I-A	4'-6"	5'-5 1/2"	4'-0"	5'-6"	6'-4 3/4"	4"	9"	8'-3"
II-A (5)	5'-3"	6'-3 1/4"	4'-6"	6'-1"	6'-11 3/4"	4 3/4"	9 1/2"	8'-3"

NUMBER	REVISION	DATE

Coombe-Bloxdorf P.C.
- CIVIL ENGINEERS -
- STRUCTURAL ENGINEERS -
- LAND SURVEYORS -
Design Firm License No. 184-002703
PROJECT NO. 05027-13
SCALE: / /
DATE: / /
DESIGN BY: / /
DRAWN BY: / /
CHECKED BY: / /

OS-A-6 12-1-08

**OVERHEAD SIGN STRUCTURES
SUPPORT FRAME FOR ALUMINUM TRUSS**

**F.A.I. ROUTE 70, SEC. 60-(5,6,7)RS, 60-(6,7)BR
MADISON COUNTY**

SHEET NO. 14 19 SHEETS	F.A.I. RTE.	SECTION	COUNTY	TOTAL SHEETS	SHEET NO.
	70	60-(5,6,7)RS, 60-(6,7)BR	MADISON	185	158
CONTRACT NO. 76C56					
FED. ROAD DIST. NO.		ILLINOIS	FED. AID PROJECT		

PLOT DATE = 09/14/2009
 PLOT SCALE = 1/8" = 1'-0"
 USER NAME = CFC