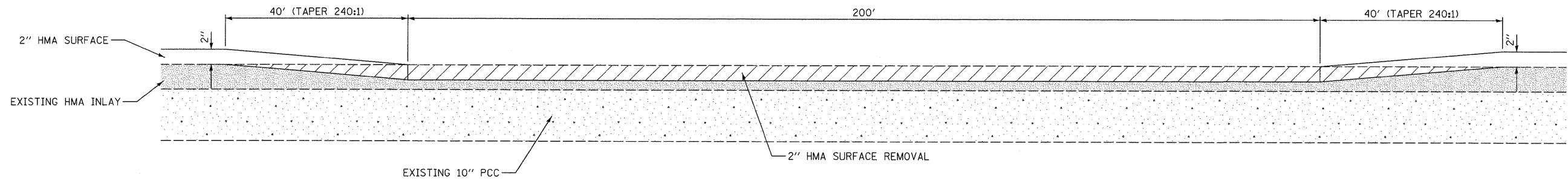


DETAIL FOR RESURFACING SHOULDERS UNDER SN 060-0081

BLACK LANE

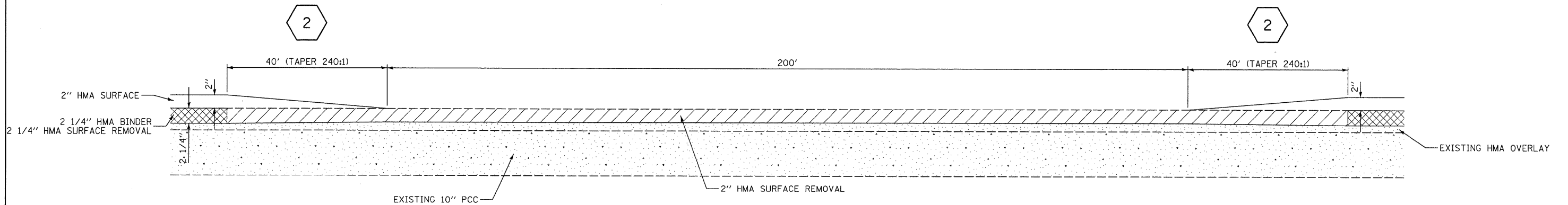
(WESTBOUND) STATION 399+21.59 TO STATION 402+01.59
 (EASTBOUND) STATION 399+37.71 TO STATION 402+17.71



DETAIL FOR RESURFACING WB MAINLINE UNDER SN 060-0081

BLACK LANE

(WESTBOUND) STATION 399+21.59 TO STATION 402+01.59



DETAIL FOR RESURFACING EB MAINLINE UNDER SN 060-0081

BLACK LANE

(EASTBOUND) STATION 399+37.71 TO STATION 402+17.71

- 2 1/4" HMA SURFACE REMOVAL AND 2 1/4" HMA BINDER
- 2" HMA SURFACE REMOVAL AND 2" HMA SURFACE

NO MILLING OF PCC PAVEMENT AREAS
 WITH THE EXCEPTION OF THE PCC PATCHES

LAST SAVED = 9/16/2009
 PEN TABLE = VB.tbl
 PLOT DRIVER = PRC:\xerox6204\Fp-Fltlogit

FILE NAME =	USER NAME = sdonehue	DESIGNED -	REVISED -
1:\08090\Work_Order_3\Cad\T_Plan\0876	55-Sht-Details.dgn	DRAWN -	REVISED -
PLOT SCALE = 50.0023' / IN.		CHECKED -	REVISED -
PLOT DATE = 9/16/2009 9:18:06 PM		DATE -	REVISED -

**STATE OF ILLINOIS
 DEPARTMENT OF TRANSPORTATION**



SPECIAL DETAILS
 RESURFACING UNDER SN 060-0081 (BLACK LANE OVERPASS)

SCALE: NONE SHEET NO. 3 OF 8 SHEETS STA. TO STA.

F.A.I. RTE.	SECTION	COUNTY	TOTAL SHEETS	SHEET NO.
70	60-(5,6,7)RS, 60-(6,7)BR	MADISON	185	179
CONTRACT NO. 76C56				
FED. ROAD DIST. NO. ILLINOIS FED. AID PROJECT				