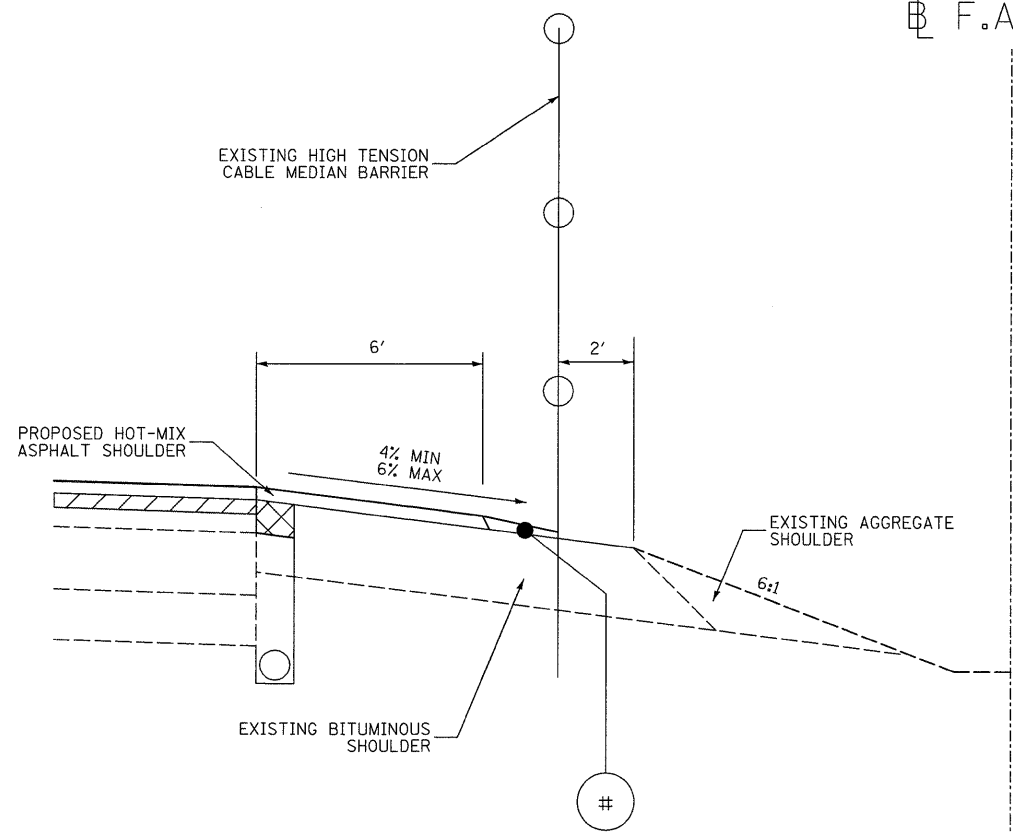


EROSION CONTROL CURB DETAIL



TAPER FROM 2" TO 3/4" IN 2' SLOPE VARIES

HOT-MIX ASPHALT TAPER AT CABLE MEDIAN BARRIER DETAIL

LAST SAVED = 9/16/2009
 PEN TABLE = V6.tb1
 PLOT DRIVER = TR>Kerco6204-To-F1.logit

FILE NAME =	USER NAME = sdonehue	DESIGNED -	REVISED -
1:\08090\Work_Order_3\Cad\T\Plans\0876	56-Sht-Details.dgn	DRAWN -	REVISED -
PLOT SCALE = 50.0023 ' / IN.	CHECKED -	REVISED -	REVISED -
PLOT DATE = 9/16/2009 9:18:08 PM	DATE -	REVISED -	REVISED -

STATE OF ILLINOIS
DEPARTMENT OF TRANSPORTATION

HORNER & SHIFRIN, INC.
ENGINEERS

SPECIAL DETAILS
CURB DETAILS

SCALE: NONE SHEET NO. 7 OF 8 SHEETS STA. TO STA.

F.A.I. RTE.	SECTION	COUNTY	TOTAL SHEETS	SHEET NO.
70	60-(5,6,7)RS, 60-(6,7)BR	MADISON	185	183
FED. ROAD DIST. NO. ILLINOIS FED. AID PROJECT			CONTRACT NO. 76C56	