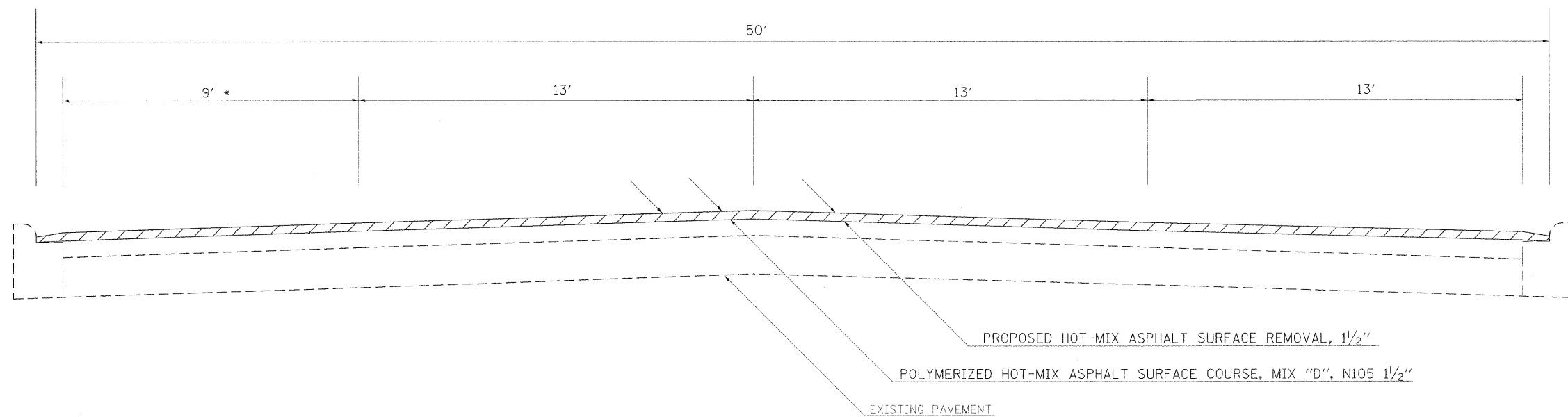


TYPICAL SECTION
 FAP 869 (IL 34)
 SALINE CO.



TO BE USED:
 STA. 1687+08 TO STA. 1689+95

* PARKING LANE

FILE NAME = #FILEL#	USER NAME = #USER#	DESIGNED -	REVISED -	STATE OF ILLINOIS DEPARTMENT OF TRANSPORTATION	TYPICAL SECTION		F.A.P. RTE. 869	SECTION •	COUNTY Saline	TOTAL SHEETS 82	SHEET NO. 16	
	PLOT SCALE = #SCALE#	CHECKED -	REVISED -		SCALE: NONE	SHEET NO. 9 OF 10 SHEETS	STA.	TO STA.	CONTRACT NO. 78065			
	PLOT DATE = #DATE#	DATE -	REVISED -		ILLINOIS FED. AID PROJECT							
105(TS-2,N-1,RS-3,RS-2)												